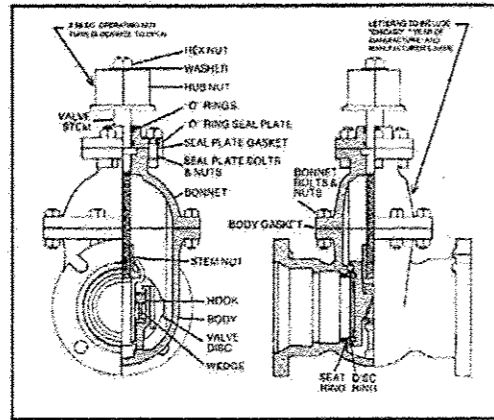


EJIW Gate Valves, Series N City of Chicago Specification

engineered designed constructed for a position of trust

SERIES N GATE VALVES:

The Chicago Gate Valve is manufactured according to City of Chicago specifications in sizes 3" to 16" inclusive. It has double disc construction with parallel seats; a V-type gate spreading mechanism which is actuated when the wedging piece comes in contact with a lug at the bottom of the valve body. The wedge is thus restrained from further movement and the discs being forced downward over the wedges are forced to spread.

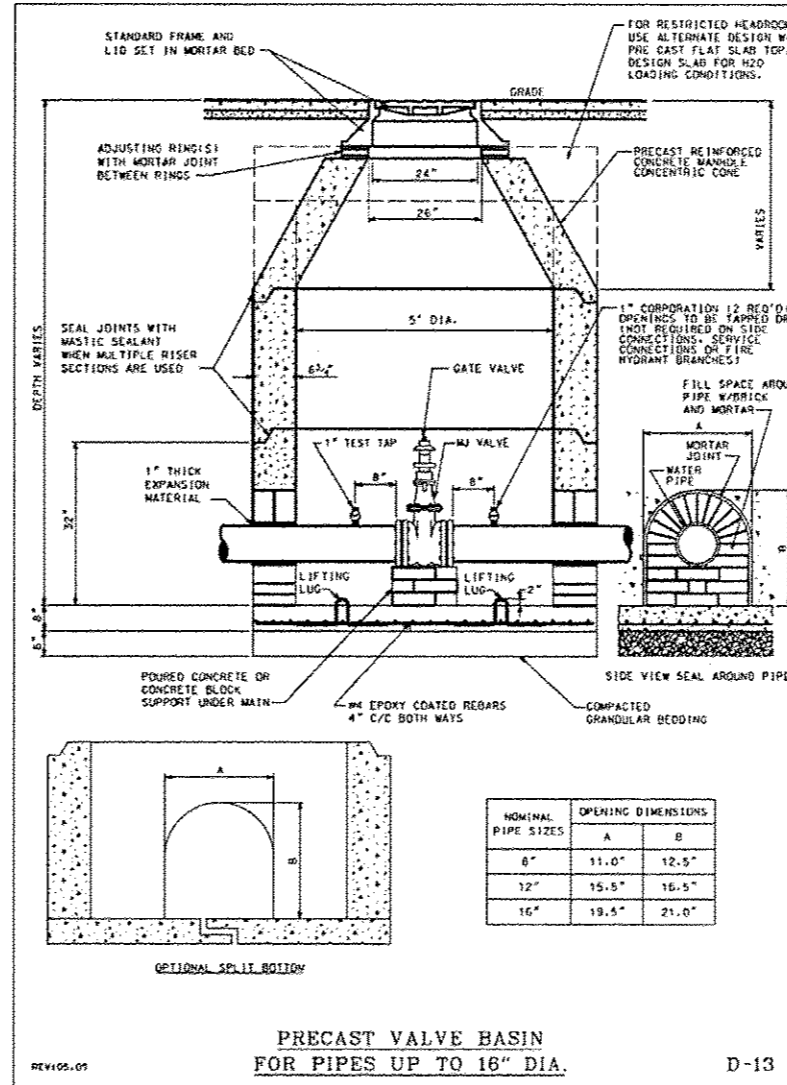


SIZE	CAT. #
3"	3N22
4"	4N22
6"	6N22
8"	8N22
12"	12N22
16"	16N22

DIMENSIONAL INFORMATION						
Mechanical Joint End	3"	4"	6"	8"	12"	16"
Overall Length	10 5/8	13 1/8	13 3/4	15 1/4	18 1/2	23 1/4
Laying Length	5 5/8	8 1/8	8 3/4	10 1/4	11 1/2	16 1/4
Centerline to Top of Stem	13 1/8	15 3/8	20	23 1/4	31	36 5/8
Number of Turns to Open	7	9	14	18	43	50

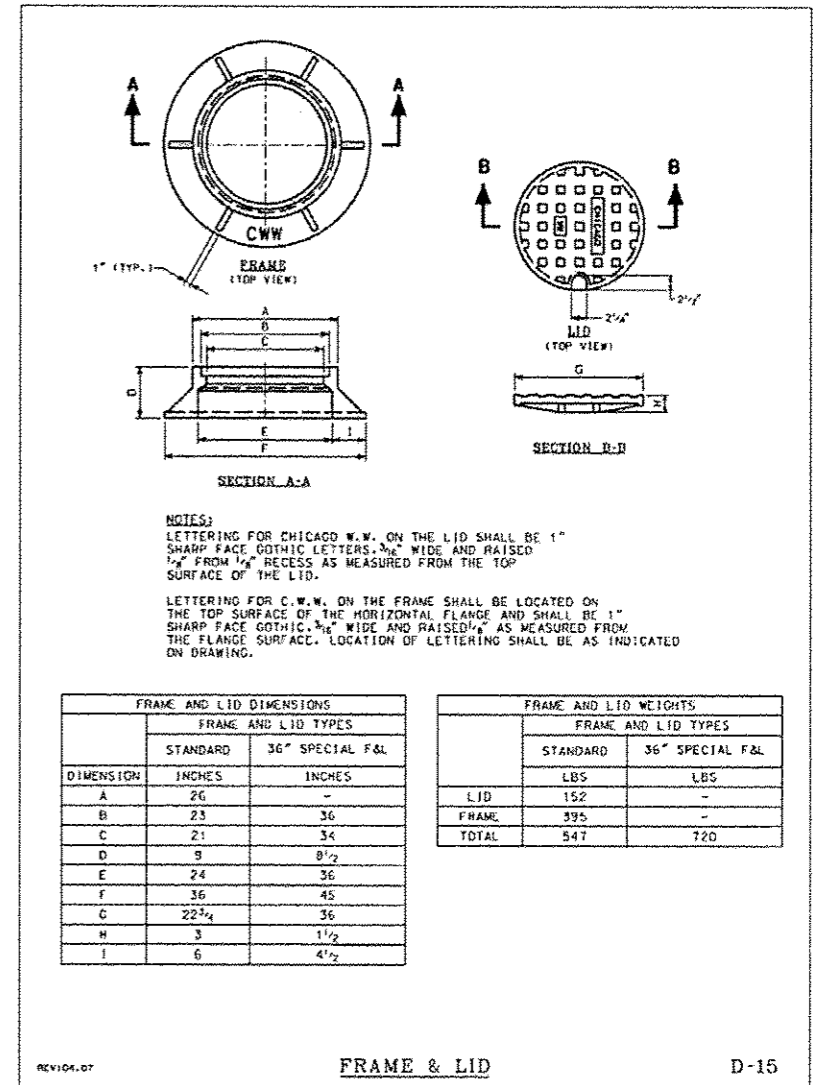
EJIW products are available throughout the United States. Call 800-344-3549 for information or service requests. email: ejwsales@ejw.com website: www.ejw.com

EJIW
We Cover the Infrastructure®



NOMINAL PIPE SIZES	OPENING DIMENSIONS	
	A	B
8"	11.0"	12.5"
12"	15.5"	16.5"
16"	19.5"	21.0"

PRECAST VALVE BASIN FOR PIPES UP TO 16" DIA.



DIMENSION	FRAME AND LID DIMENSIONS	
	FRAME AND LID TYPES	
	STANDARD	36" SPECIAL F&L
A	26	-
B	23	36
C	21	34
D	9	8 1/2
E	24	36
F	36	45
G	22 1/4	36
H	3	1 1/2
I	6	4 1/2

	FRAME AND LID WEIGHTS	
	FRAME AND LID TYPES	
	STANDARD	36" SPECIAL F&L
LID	152	-
FRAME	395	-
TOTAL	547	720

FRAME & LID

D-15



D:\62671\encl-wm-03.dgn
USER NAME CooperM2
PLOT SCALE = 40.0000 / in.
PLOT DATE = 4/4/2014

DESIGNED - MSC
DRAWN - MSC
CHECKED - RBB
DATE - 02/19/14

REVISED - Δ 04/03/2014
REVISED -
REVISED -
REVISED -

STATE OF ILLINOIS
DEPARTMENT OF TRANSPORTATION

WATER MAIN DETAILS

SCALE: SHEET OF SHEETS STA. TO STA.

F.A.I. RYE.	SECTION	COUNTY	TOTAL SHEETS	SHEET NO.
90/94/290	2013-036R	COOK	256	251C

CONTRACT NO. 60W71
ILLINOIS FED. AID PROJECT