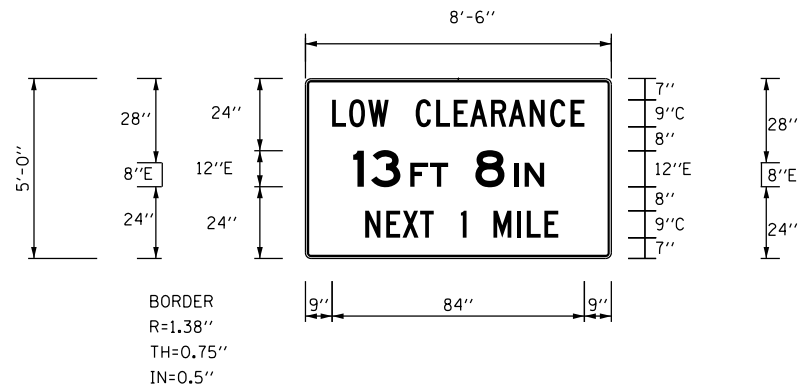


FILE PATH = p:\388035\pmt\escomon\me\local\AECD\000\Documents\01_Americas\Transportation\6269938_Circle\Phase_1\000_CAD\005_Roadway\Sheets\60W71_Contract\0160W71-Sht-Sign-02.dgn



Dimensions are in inches.tenths

Letter locations are paneledge to lower left corner

SIGN NUMBER	NB-01-BM
WIDTH x HGHT.	8'-6" x 5'-0"
BORDER WIDTH	0.75"
CORNER RADIUS	1.38"
MOUNTING	Overhead
BACKGROUND	TYPE: ZZ Retro-Reflective Sheeting
	COLOR: Yellow
LEGEND/BORDER	TYPE: Reflective
	COLOR: Black/Black

SYMBOL	ROT	X	Y	WID	HT

LETTER POSITIONS (X)													LENGTH	SERIES/SIZE										
L	O	W		C	L	E	A	R	A	N	C	E										C 2000		
8.9	14.6	21	27.8	36.8	43.6	49.5	54.9	61.9	67.8	74.8	81.6	88.5										84.2	9	
1	3																							E 2000
15.9	21.9																						15.7	12
F	T																							E 2000
34.9	41.6																						12.6	8
8																								E 2000
56.7																							9.7	12
I	N																							E 2000
69.6	73.2																						10	8
N	E	X	T		1		M	I	L	E														C 2000
20	27	32.4	38.2	42.8	51.8	53.7	62.7	70.6	73.9	79.7													64.4	9

NOTES:

1. SEE STRUCTURAL PLANS FOR SIGN PANEL PLACEMENT AND CONNECTION
2. TYPE ZZ PRISMATIC RETROREFLECTIVE SHEETING IS A NON-PARTICIPATING ITEM AND SHALL BE 100% STATE FUNDED.



D160W71-Sht-Sign-02.dgn	DESIGNED - OPS	REVISED -
USER NAME = pimsarno	DRAWN - OPS	REVISED -
PLOT SCALE = 40.0000' / in.	CHECKED - DBM	REVISED -
PLOT DATE = 2/21/2014	DATE - 02/19/14	REVISED -

**STATE OF ILLINOIS
DEPARTMENT OF TRANSPORTATION**

SIGNING PLAN SIGN PANEL LAYOUT		
SCALE: NONE	SHEET 1 OF 1 SHEETS	STA. TO STA.

F.A.I. RTE.	SECTION	COUNTY	TOTAL SHEETS	SHEET NO.
90/94/290	2013-036R	COOK	256	71
CONTRACT NO. 60W71				
ILLINOIS FED. AID PROJECT				