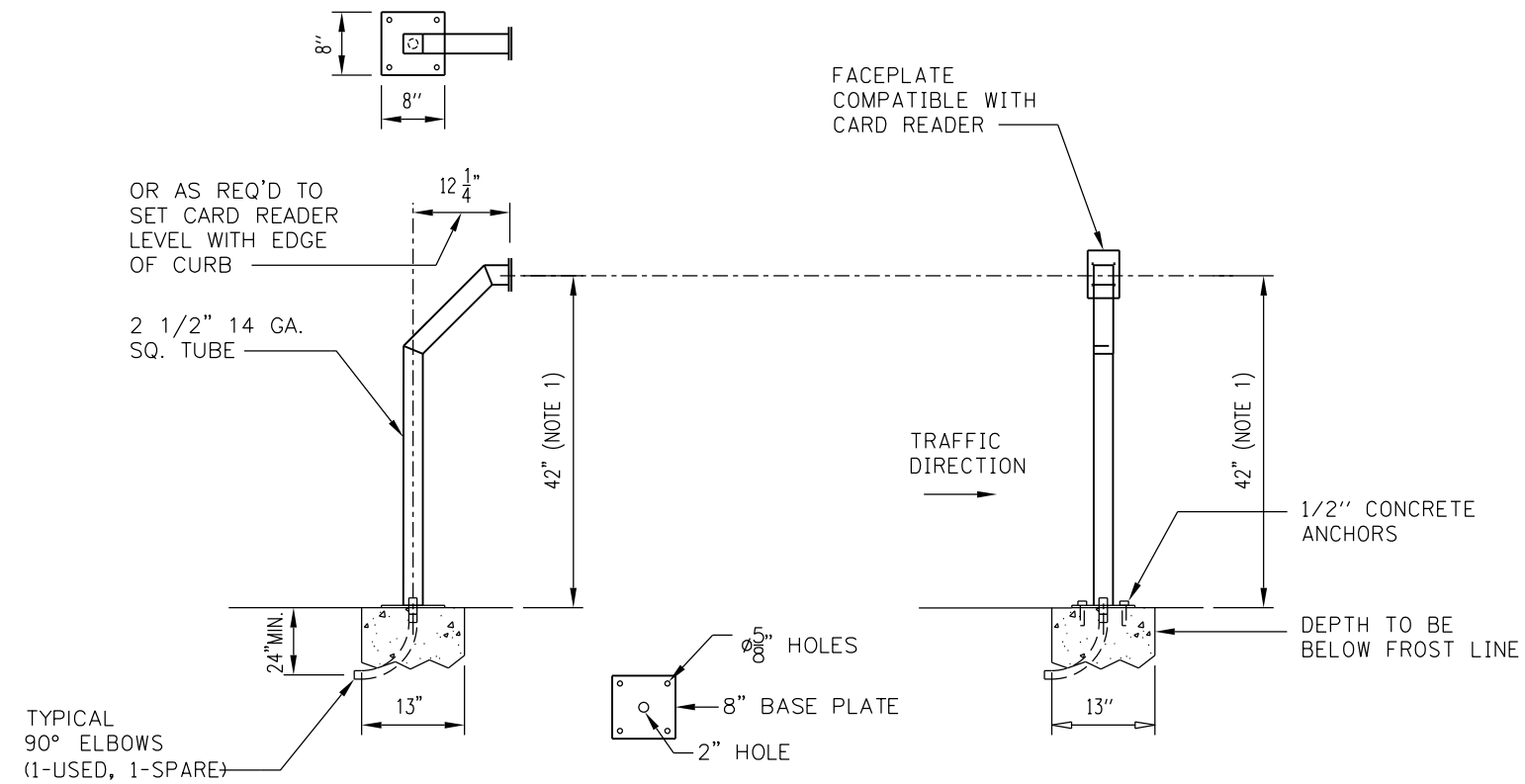


NOTES:

- HEIGHT OF GOOSENECK TO BE SET AT 42" ABOVE TOP OF DRIVEWAY SURFACE.



① CARD READER GOOSENECK DETAIL

FILE PATH = p:\388035\pmt\escomon\local\AECOM\Documents\01\_Americas\Transportation\6269938\_Circle\Phase\_1\000\_CAD\005\_Roadway\Sheets\60W71\_Contract\0160W71-Sht-Fence-ELEC-04.dgn



D160W71-Sht-Fence-ELEC-04.dgn  
 USER NAME = chisw  
 PLOT SCALE = 2.0000' / in.  
 PLOT DATE = 2/20/2014

DESIGNED - BMW  
 DRAWN - BMW  
 CHECKED - WDS  
 DATE - 02/19/14

REVISED -  
 REVISED -  
 REVISED -  
 REVISED -

STATE OF ILLINOIS  
 DEPARTMENT OF TRANSPORTATION

GATE OPERATOR  
 ELECTRICAL DETAILS

SCALE: N.T.S. SHEET 4 OF 4 SHEETS STA. TO STA.

F.A.I. RTE.	SECTION	COUNTY	TOTAL SHEETS	SHEET NO.
90/94/290	2013-036R	COOK	256	91D
CONTRACT NO. 60W71				
ILLINOIS FED. AID PROJECT				