

NORTH EDGE OF PAVEMENT

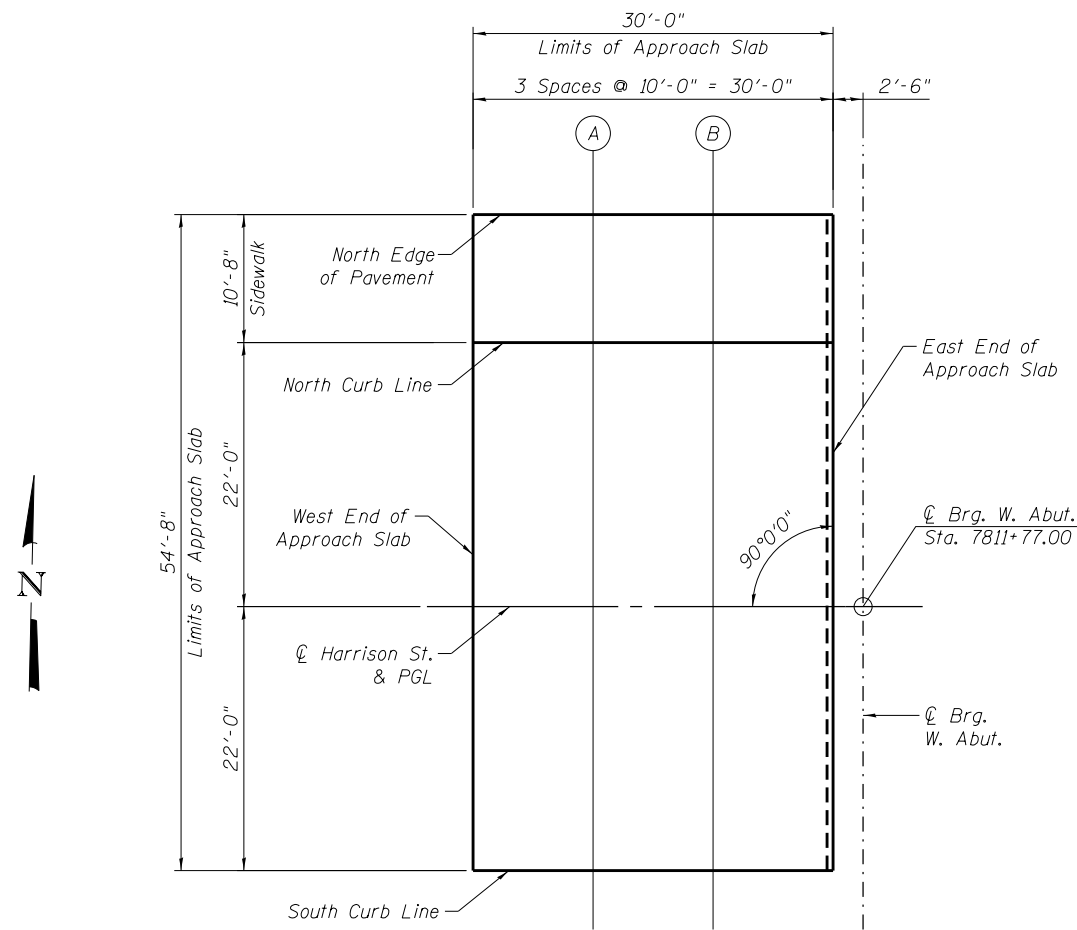
Location	Station	Offset	Theoretical Grade Elevations
West End of Appr. Slab	7811+44.50	-32.667'	597.64
A	7811+54.50	-32.667'	597.78
B	7811+64.50	-32.667'	597.98
East End of Appr. Slab	7811+74.50	-32.667'	598.23

NORTH CURB LINE

Location	Station	Offset	Theoretical Grade Elevations
West End of Appr. Slab	7811+44.50	-22.000'	597.37
A	7811+54.50	-22.000'	597.51
B	7811+64.50	-22.000'	597.71
East End of Appr. Slab	7811+74.50	-22.000'	597.96

CL HARRISON ST. & PGL

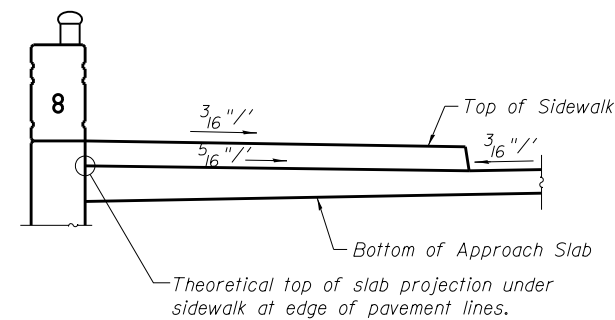
Location	Station	Offset	Theoretical Grade Elevations
West End of Appr. Slab	7811+44.50	0.000'	597.71
A	7811+54.50	0.000'	597.85
B	7811+64.50	0.000'	598.05
East End of Appr. Slab	7811+74.50	0.000'	598.30



PLAN

SOUTH CURB LINE

Location	Station	Offset	Theoretical Grade Elevations
West End of Appr. Slab	7811+44.50	22.000'	597.37
A	7811+54.50	22.000'	597.51
B	7811+64.50	22.000'	571.71
East End of Appr. Slab	7811+74.50	22.000'	597.96



PROJECTION UNDER SIDEWALK
(North Sidewalk)

0161711-60W71-S14-Appr Slab



USER NAME = dunkerleyb	DESIGNED - MK	REVISED
	CHECKED - DD	REVISED
PLOT SCALE = N.T.S.	DRAWN - BRD	REVISED
PLOT DATE = 12/17/2013	CHECKED - DD	REVISED

**STATE OF ILLINOIS
DEPARTMENT OF TRANSPORTATION**

**TOP OF WEST APPROACH SLAB ELEVATION
STRUCTURE NO. 016-1711**

SHEET NO. S-14 OF S-47 SHEETS

F.A.I. RTE.	SECTION	COUNTY	TOTAL SHEETS	SHEET NO.
90/94/290	2013-036R	COOK	256	106
CONTRACT NO. 60W71			ILLINOIS FED. AID PROJECT -NUMBER-	