

NORTH EDGE OF PAVEMENT

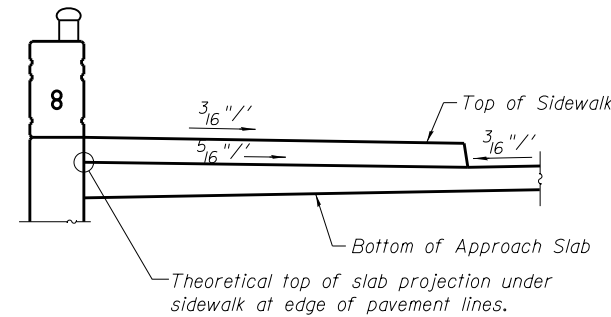
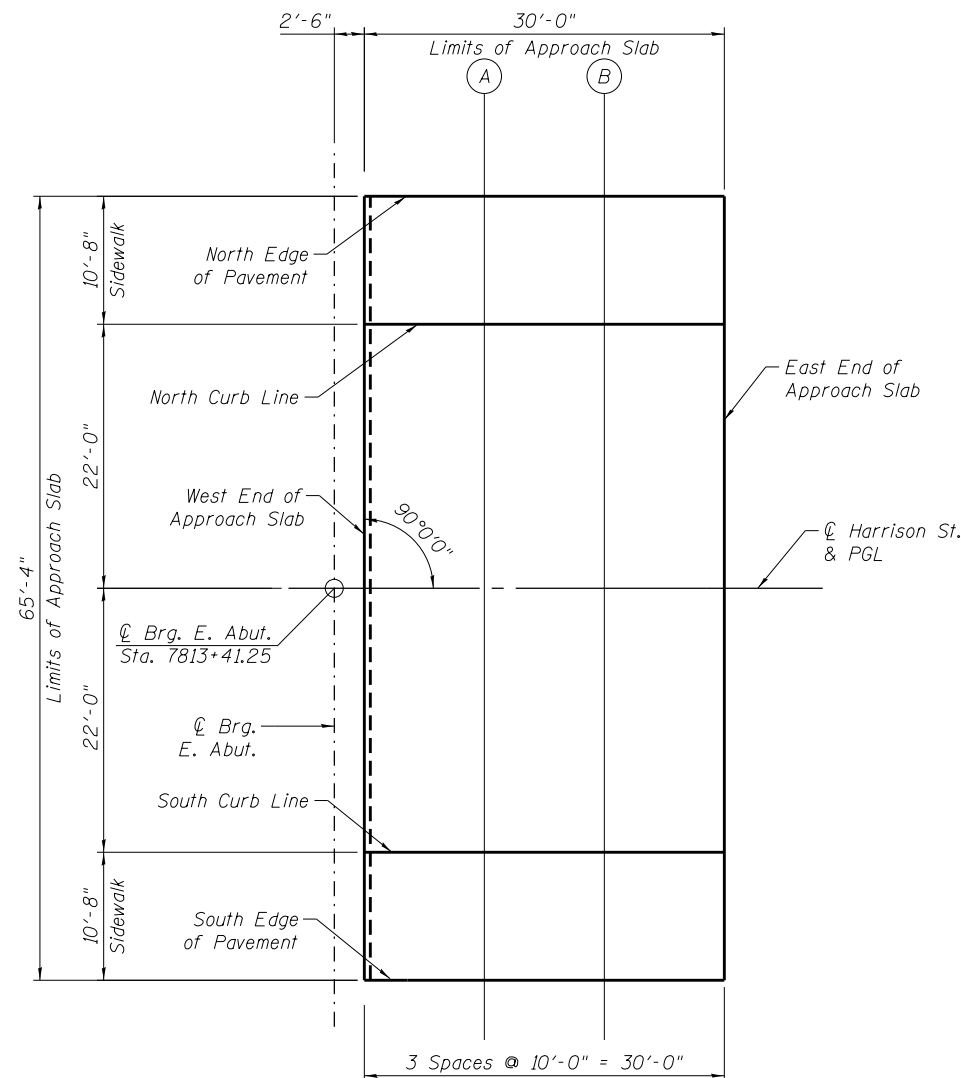
Location	Station	Offset	Theoretical Grade Elevations
West End of Apr. Slab	7813+43.75	-32.667'	598.79
A	7813+53.75	-32.667'	598.45
B	7813+63.75	-32.667'	598.11
East End of Apr. Slab	7813+73.75	-32.667'	597.77

NORTH CURB LINE

Location	Station	Offset	Theoretical Grade Elevations
West End of Apr. Slab	7813+43.75	-22.000'	598.51
A	7813+53.75	-22.000'	598.17
B	7813+63.75	-22.000'	597.83
East End of Apr. Slab	7813+73.75	-22.000'	597.49

CL HARRISON ST. & PGL

Location	Station	Offset	Theoretical Grade Elevations
West End of Apr. Slab	7813+43.75	0.000'	598.85
A	7813+53.75	0.000'	598.51
B	7813+63.75	0.000'	598.17
East End of Apr. Slab	7813+73.75	0.000'	597.83



SOUTH CURB LINE

Location	Station	Offset	Theoretical Grade Elevations
West End of Apr. Slab	7813+43.75	22.000'	598.51
A	7813+53.75	22.000'	598.17
B	7813+63.75	22.000'	597.83
East End of Apr. Slab	7813+73.75	22.000'	597.49

SOUTH EDGE OF PAVEMENT

Location	Station	Offset	Theoretical Grade Elevations
West End of Apr. Slab	7813+43.75	32.667'	598.79
A	7813+53.75	32.667'	598.45
B	7813+63.75	32.667'	598.11
East End of Apr. Slab	7813+73.75	32.667'	597.77

PLAN

0161711-60W71-S15-Appr Slab



USER NAME = dunkerleyb	DESIGNED - MK	REVISED
	CHECKED - DD	REVISED
PLOT SCALE = N.T.S.	DRAWN - BRD	REVISED
PLOT DATE = 12/17/2013	CHECKED - DD	REVISED

**STATE OF ILLINOIS
DEPARTMENT OF TRANSPORTATION**

**TOP OF EAST APPROACH SLAB ELEVATION
STRUCTURE NO. 016-1711**

SHEET NO. S-15 OF S-47 SHEETS

F.A.I. RTE. 90/94/290	SECTION 2013-036R	COUNTY COOK	TOTAL SHEETS 256	SHEET NO. 107
CONTRACT NO. 60W71				ILLINOIS FED. AID PROJECT -NUMBER-