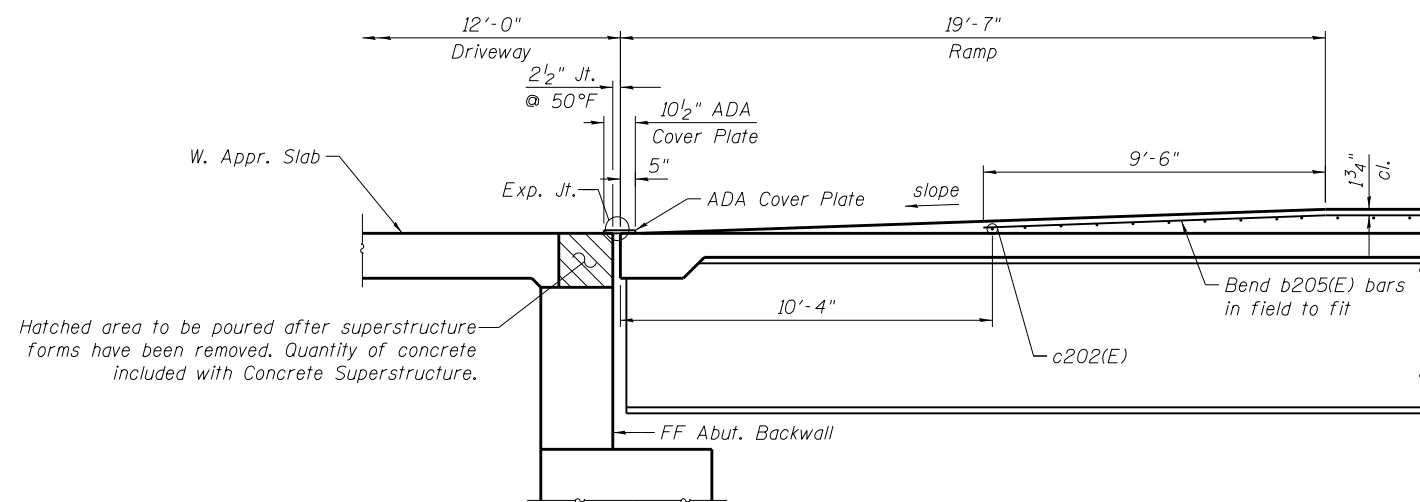
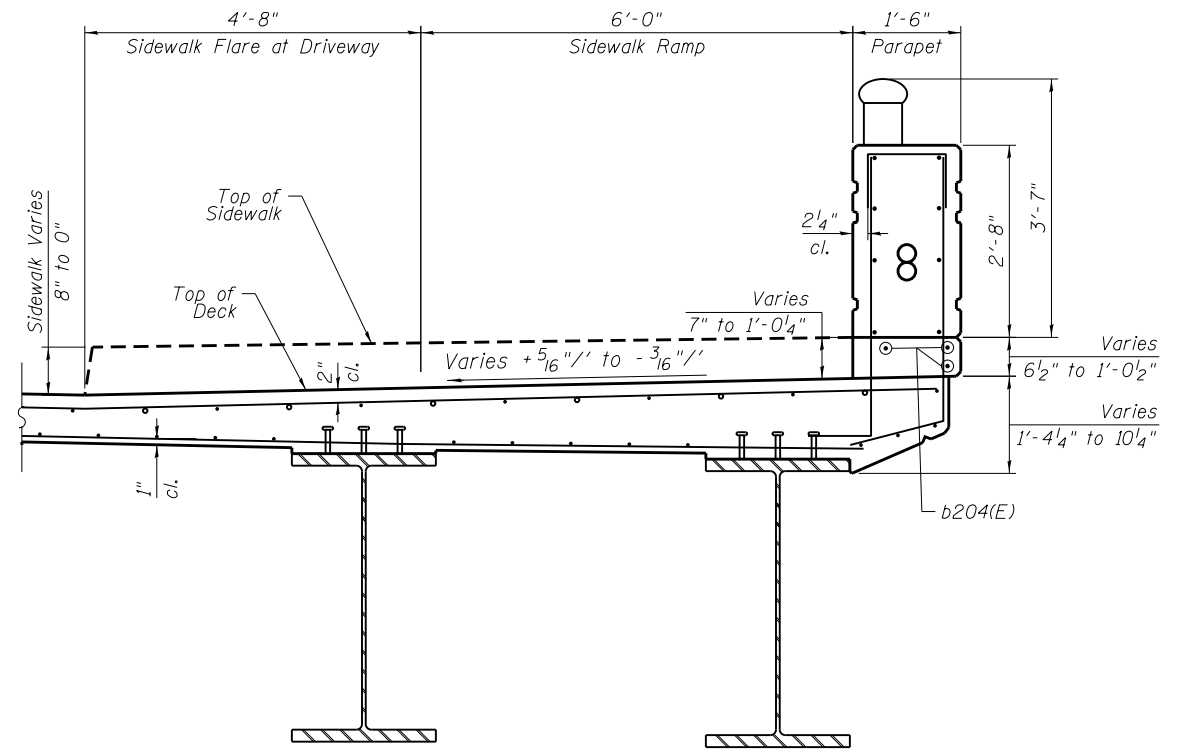


**SIDEWALK RAMP PLAN**



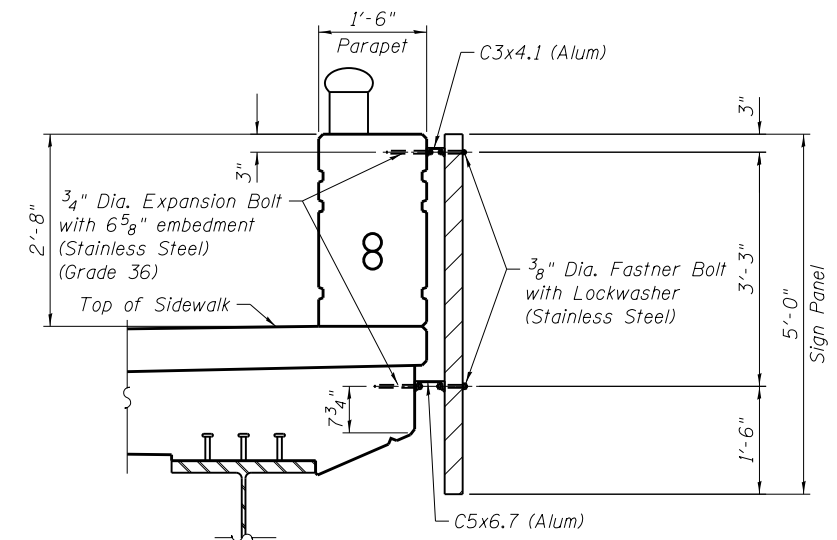
**SECTION D-D: SIDEWALK RAMP ELEVATION**  
(Facing North)



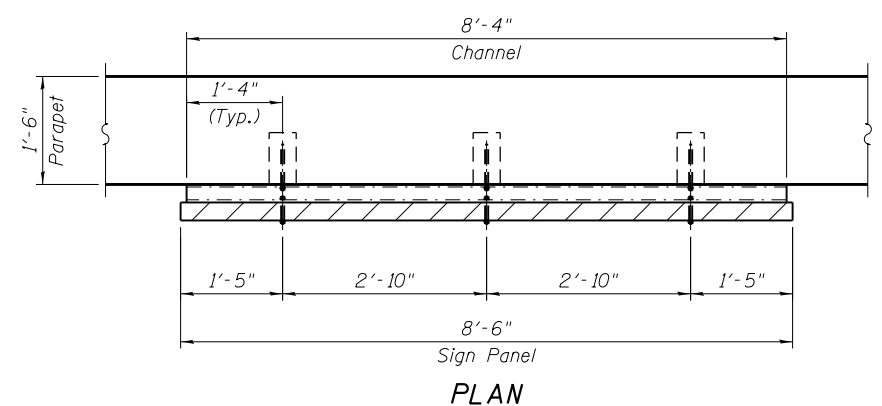
**SECTION C-C THRU SOUTH SIDEWALK RAMP**  
(Facing East)

**NOTES:**

1. Work this sheet with S-16.
2. See Civil plans for driveway flare details.
3. See sheet S-26 for Expansion Joint details and ADA cover plate details.
4. Sign Panel, channels, bolts, and fasteners are included in Civil pay item Sign Panel - Type 3 (Special). See Civil Plans for details.



**SECTION AT SIGN PANEL**  
(See Note 4)



**PLAN**

0161711-60W71-S17-Deck



USER NAME = dunkerleyb	DESIGNED - DEV	REVISED
	CHECKED - DD	REVISED
PLOT SCALE = N.T.S.	DRAWN - DEV	REVISED
PLOT DATE = 12/17/2013	CHECKED - DD	REVISED

**STATE OF ILLINOIS**  
**DEPARTMENT OF TRANSPORTATION**

**DECK PLAN - II**  
**STRUCTURE NO. 016-1711**

SHEET NO. S-17 OF S-47 SHEETS

F.A.I. R.T.E. 90/94/290	SECTION 2013-036R	COUNTY COOK	TOTAL SHEETS 256	SHEET NO. 109
CONTRACT NO. 60W71				ILLINOIS FED. AID PROJECT -NUMBER-