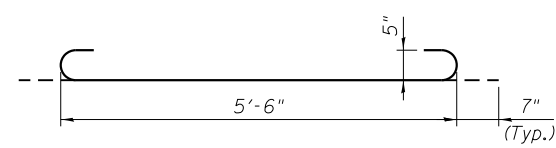
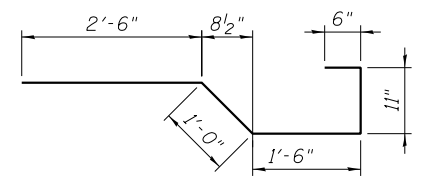


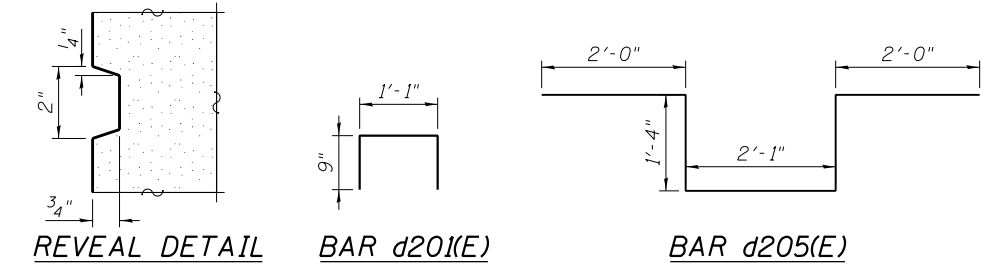
SECTION THRU SIDEWALK
(Typ. both sidewalks)



BAR a203(E)



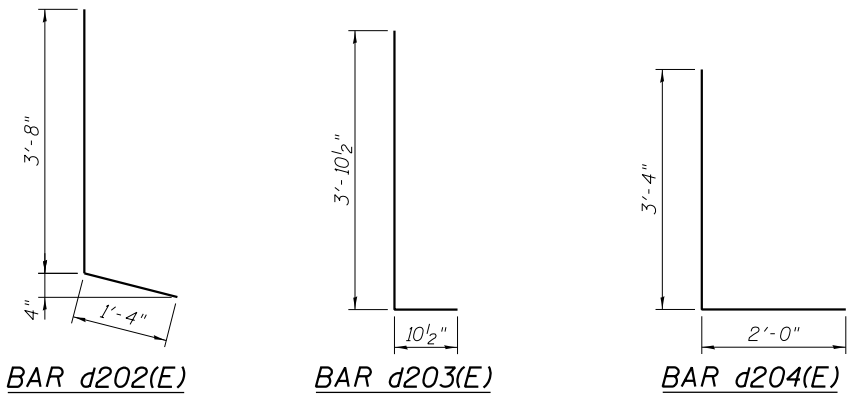
BAR x201(E)



REVEAL DETAIL

BAR d201(E)

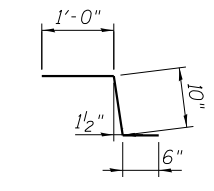
BAR d205(E)



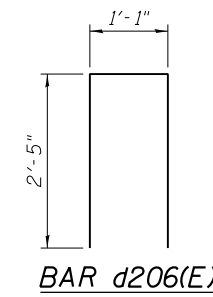
BAR d202(E)

BAR d203(E)

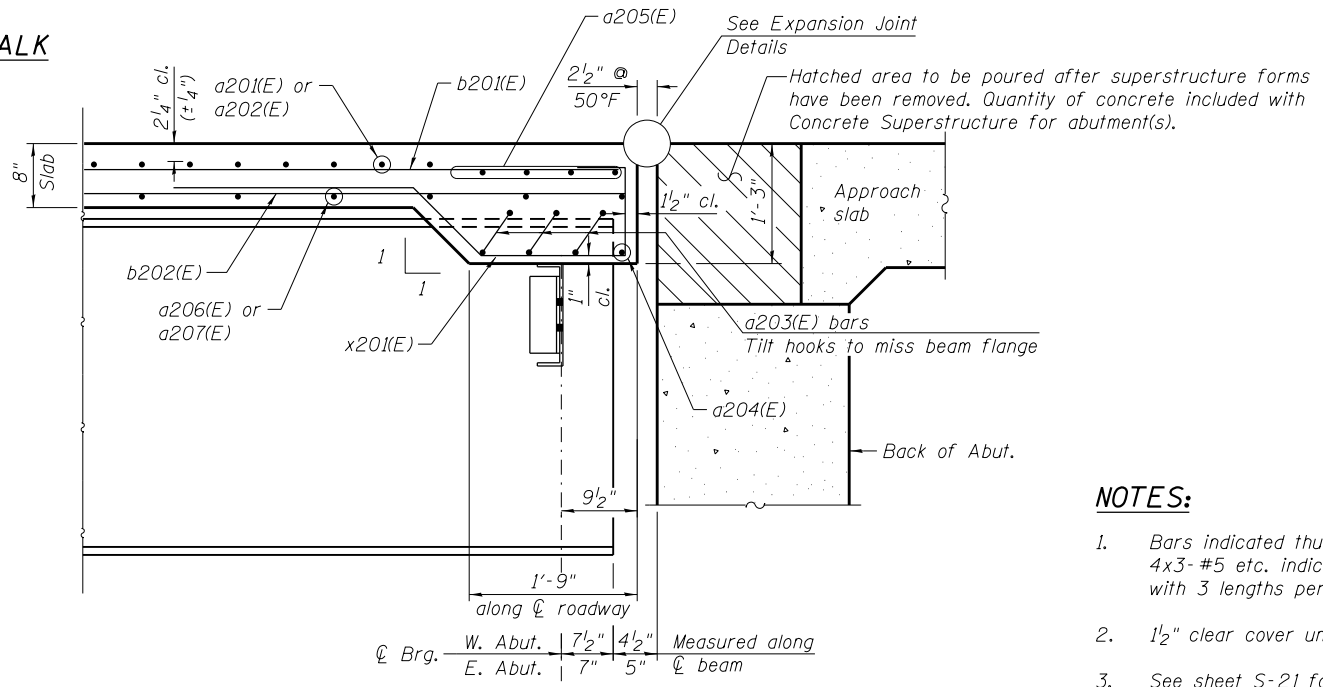
BAR d204(E)



BAR c201(E)



BAR d206(E)



SECTION A-A AT EXPANSION JOINT
(Typ. both ends of deck)

BILL OF MATERIAL

Bar	No.	Size	Length	Shape
a201(E)	277	#5	47'-4"	—
a202(E)	277	#5	23'-7"	—
a203(E)	66	#5	6'-8"	—
a204(E)	6	#5	23'-2"	—
a205(E)	24	#5	24'-9"	—
a206(E)	200	#5	22'-5"	—
a207(E)	200	#5	46'-1"	—
b201(E)	414	#5	30'-4"	—
b202(E)	427	#5	26'-6"	—
b203(E)	136	#6	25'-10"	—
b204(E)	157	#5	30'-4"	—
b205(E)	11	#5	20'-5"	—
b206(E)	2	#5	8'-8"	—
c201(E)	322	#5	2'-4"	—
c202(E)	322	#5	11'-8"	—
d201(E)	74	#4	2'-7"	—
d202(E)	366	#4	5'-0"	—
d203(E)	366	#6	4'-9"	—
d204(E)	12	#6	5'-4"	—
d205(E)	20	#6	8'-9"	—
d206(E)	4	#4	5'-11"	—
e201(E)	112	#4	19'-8"	—
e202(E)	16	#4	16'-8"	—
e203(E)	16	#4	8'-5"	—
e204(E)	4	#4	2'-2"	—
x201(E)	110	#5	6'-5"	—
Reinforcement Bars, Epoxy Coated		Pound		82,920
Concrete Superstructure		Cu. Yd.		490
Bridge Deck Grooving		Sq. Yd.		788
Protective Coat		Sq. Yd.		1,383

NOTES:

1. Bars indicated thus: 4x3-#5 etc. indicates 4 lines of bars with 3 lengths per line.
2. 1/2" clear cover unless noted otherwise.
3. See sheet S-21 for Decorative Railing Details.
4. See sheet S-26 for Expansion Joint Details.

0161711-60W71-S20-Deck



USER NAME = dunkerleyb	DESIGNED - DEV	REVISED
	CHECKED - DD	REVISED
PLOT SCALE = N.T.S.	DRAWN - DEV	REVISED
PLOT DATE = 12/17/2013	CHECKED - DD	REVISED

STATE OF ILLINOIS
DEPARTMENT OF TRANSPORTATION

DECK DETAILS
STRUCTURE NO. 016-1711

SHEET NO. S-20 OF S-47 SHEETS

F.A.I. R.T.E.	SECTION	COUNTY	TOTAL SHEETS	SHEET NO.
90/94/290	2013-036R	COOK	256	112
CONTRACT NO. 60W71			ILLINOIS FED. AID PROJECT -NUMBER-	