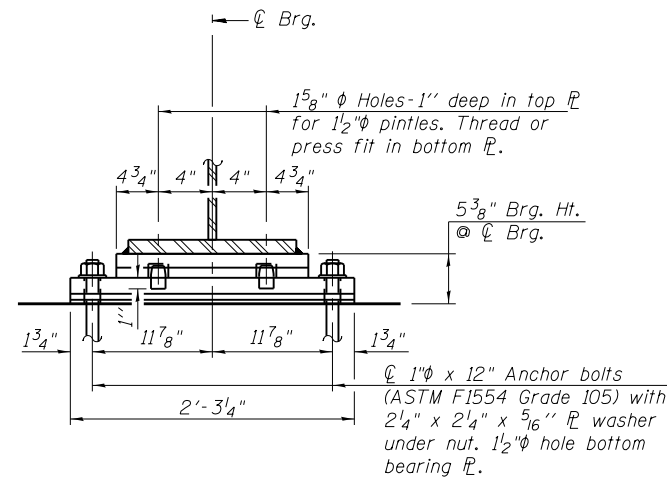
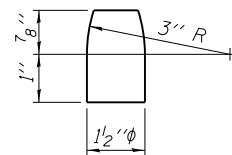


ELEVATION AT PIER



SECTION C-C

FIXED BEARING - PIER



PINTLE

NOTES:

1. Anchor bolts at fixed bearings may be either cast in place or installed in holes drilled after the supported member is in place.
2. Fixed Bearing Assembly included in "Furnishing and Erecting Structural Steel."
3. Anchor bolts shall be ASTM F1554 all-thread (or an Engineer-approved alternate material) of the grade(s) and diameter(s) specified. The corresponding specified grade of AASHTO M314 anchor bolts may be used in lieu of ASTM F1554.
4. Drilled and set anchor bolts shall be installed according to Article 521.06 of the Standard Specifications.
5. Two 1/8 in. adjusting shims shall be provided for each bearing in addition to all other plates or shims and placed as shown on bearing details.
6. All (embedded and separate) bearing plates, side retainers, anchor bolts, nuts, washers and pintles shall be galvanized according to AASHTO M111 or M232 as applicable.

BILL OF MATERIAL

Item	Unit	Total
Anchor Bolts, 1"	Each	24

0161711-60W71-S30-Bearing



USER NAME = dunkerleyb	DESIGNED - EJO	REVISED
	CHECKED - DD	REVISED
PLOT SCALE = N.T.S.	DRAWN - BRD	REVISED
PLOT DATE = 12/17/2013	CHECKED - DD	REVISED

**STATE OF ILLINOIS
DEPARTMENT OF TRANSPORTATION**

**FIXED BEARING DETAILS
STRUCTURE NO. 016-1711**

SHEET NO. S-30 OF S-47 SHEETS

F.A.I. RTE. 90/94/290	SECTION 2013-036R	COUNTY COOK	TOTAL SHEETS 256	SHEET NO. 122
CONTRACT NO. 60W71			ILLINOIS FED. AID PROJECT -NUMBER-	