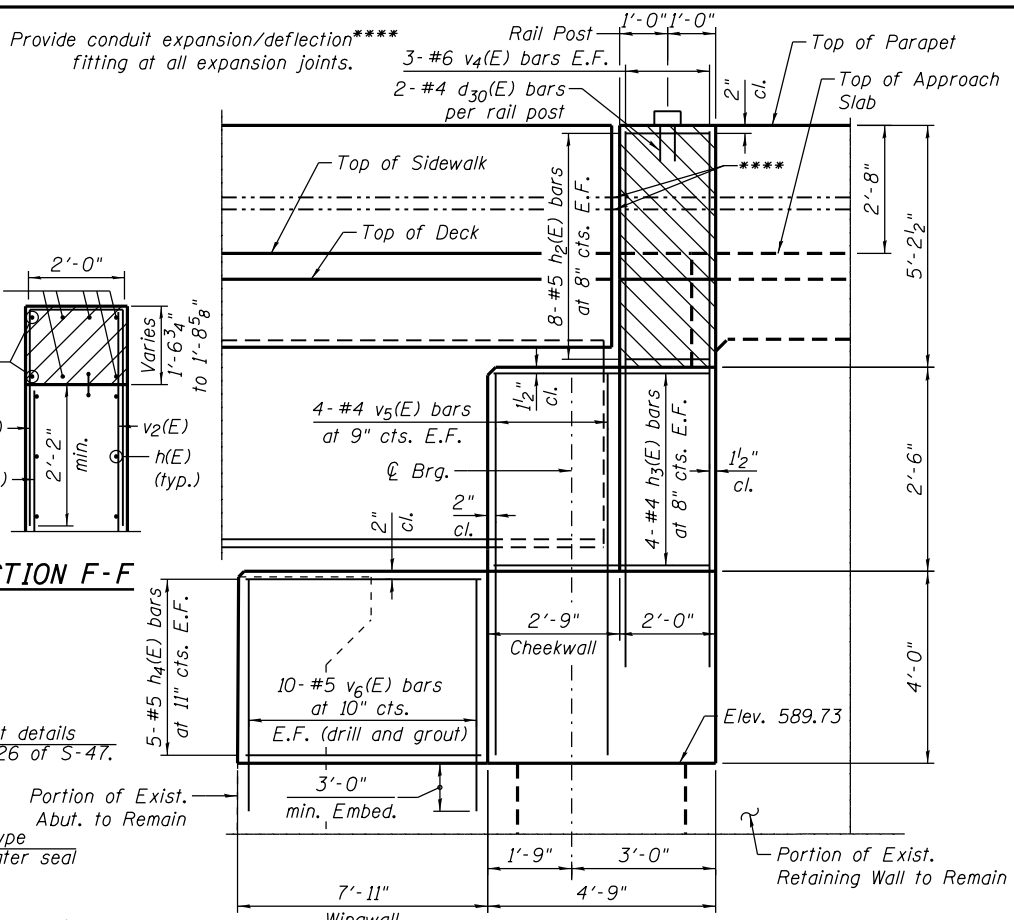
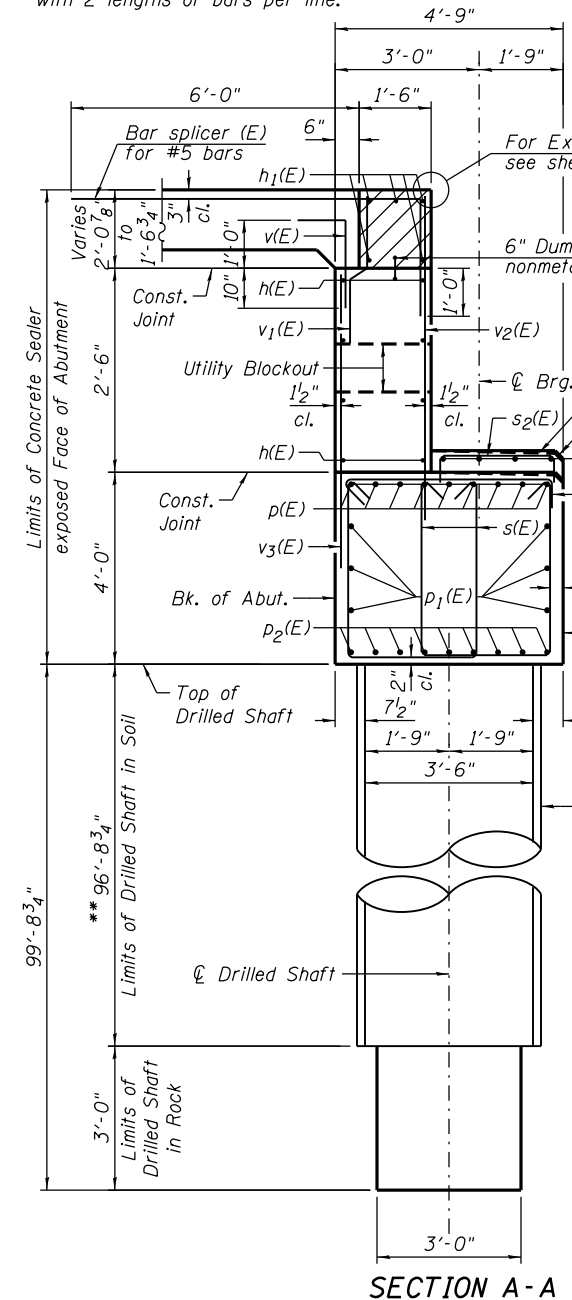


NOTES:

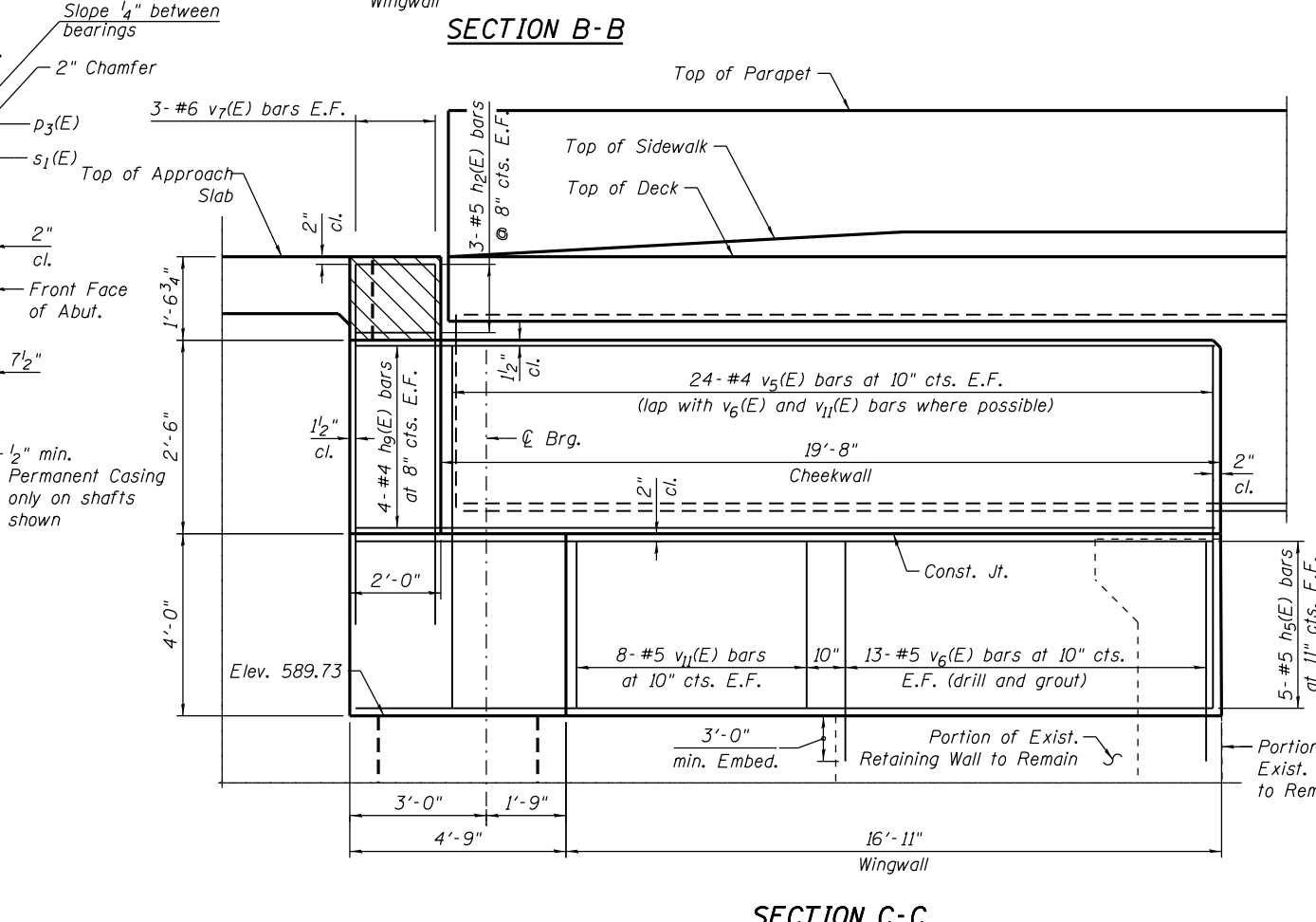
- Hatched area to be poured after superstructure false work has been removed. Quantity of concrete included with Concrete Superstructure.
- Concrete Sealer shall be applied to abutment backwall, bearing seats and exposed faces of abutment cap, cheekwalls and wingwalls.
- When splicing spiral reinforcement is necessary, the spiral shall be provided with 1/2 extra turns at the ends to be spliced. These additional turns shall either be welded together according to AWS D1.4 or shall both terminate with a 135° standard hook.
- E.F. = Each Face
- Drill and grout of v6(E) bars in accordance with Article 584 of the Standard Specifications. Cost included with Reinforcement Bars. Epoxy Coated pay item.
- For Pipe Underdrain detail see sheet S-03.
- Bars noted thus, 3x2-#5 indicates 3 lines of bars with 2 lengths of bars per line.



SECTION F-F

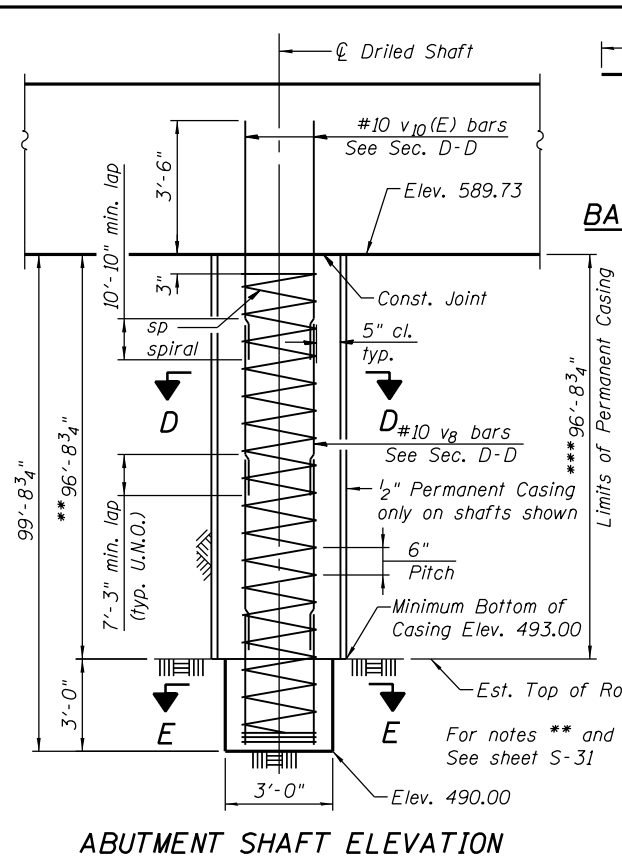


SECTION A-A

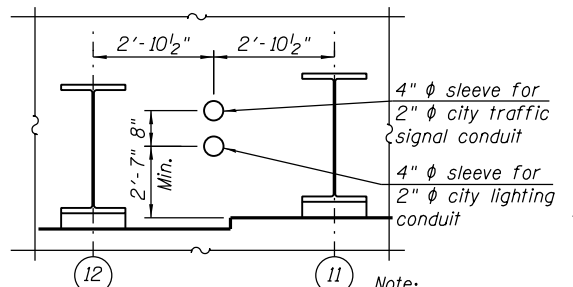


SECTION B-B

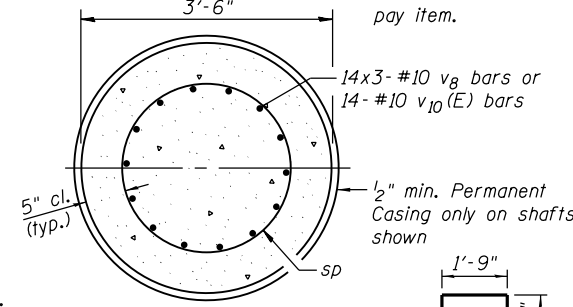
SECTION C-C



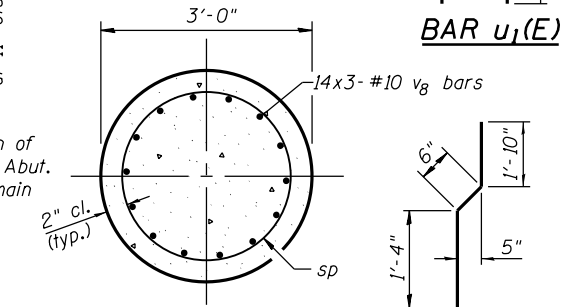
ABUTMENT SHAFT ELEVATION



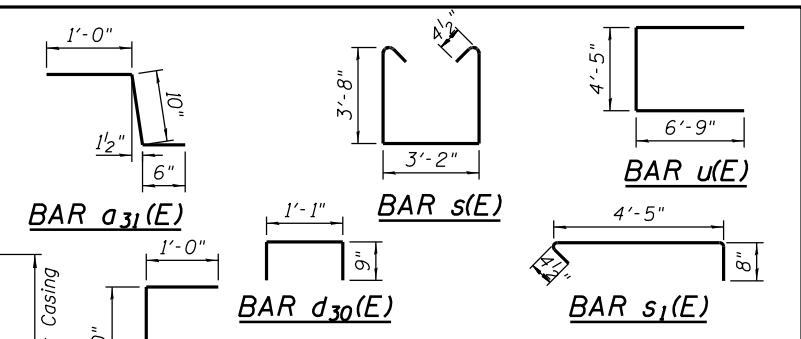
DETAIL 5



SECTION D-D



SECTION E-E



WEST ABUTMENT BILL OF MATERIAL

Bar	No.	Size	Length	Shape
a30(E)	2	#5	10'-4"	
a31(E)	2	#5	2'-4"	
b30(E)	11	#5	3'-10"	
d30(E)	2	#4	2'-7"	
h(E)	24	#5	24'-10"	
h1(E)	15	#6	25'-3"	
h2(E)	22	#5	1'-8"	
h3(E)	8	#4	4'-5"	
h4(E)	10	#5	7'-7"	
h5(E)	10	#5	21'-4"	
h6(E)	24	#5	9'-6"	
h7(E)	8	#5	5'-0"	
h8(E)	2	#6	11'-10"	
h9(E)	8	#4	21'-4"	
p(E)	27	#9	28'-5"	
p1(E)	18	#8	27'-2"	
p2(E)	27	#8	27'-2"	
p3(E)	4	#5	22'-8"	
s(E)	194	#4	11'-3"	
s1(E)	97	#4	5'-5 1/2"	
s2(E)	23	#4	3'-9"	
sp	7	#6	99'-6"	
u(E)	10	#8	17'-11"	
u1(E)	11	#5	9'-7"	
v(E)	56	#5	2'-10"	
v1(E)	56	#5	3'-8"	
v2(E)	66	#6	7'-1"	
v3(E)	66	#6	5'-1"	
v4(E)	6	#6	10'-1"	
v5(E)	56	#4	5'-1"	
v6(E)	46	#5	6'-10"	
v7(E)	6	#6	6'-5"	
v8	294	#10	38'-0"	
v9(E)	24	#5	2'-2"	
v10(E)	98	#10	14'-7"	
v11(E)	16	#5	3'-8"	
Granular Backfill for Structures			Cu. Yd.	99
Structure Excavation			Cu. Yd.	449
Concrete Structures			Cu. Yd.	70
Concrete Superstructure			Cu. Yd.	9
Reinforcement Bars			Pound	65,570
Reinforcement Bars, Epoxy Coated			Pound	19,000
Permanent Casing			Foot	484
Drilled Shaft In Soil			Cu. Yd.	242
Drilled Shaft In Rock			Cu. Yd.	6
Concrete Sealer			Sq. Ft.	739
Geocomposite Wall Drain			Sq. Yd.	48
Pipe Underdrain for Structures 4"			Foot	100
Crosshole Sonic Logging			Each	1

For details of Bar Splicers, see sheet S-44.
* Length is height of spiral.



USER NAME = dabe2lcd
DESIGNED - DD
CHECKED - DEV
PLOT SCALE = N.T.S.
DRAWN - BRD
PLOT DATE = 2/19/2014
CHECKED - DEV

DESIGNED - DD
CHECKED - DEV
DRAWN - BRD
CHECKED - DEV

REVISED
REVISED
REVISED
REVISED

STATE OF ILLINOIS
DEPARTMENT OF TRANSPORTATION

WEST ABUTMENT SECTION AND DETAILS
STRUCTURE NO. 016-1711

SHEET NO. S-32 OF S-47 SHEETS

F.A.I. RTE.	SECTION	COUNTY	TOTAL SHEETS	SHEET NO.
90/94/290	2013-036R	COOK	256	124
CONTRACT NO. 60W71			ILLINOIS FED. AID PROJECT -NUMBER-	

0161711-60W71-S32-Abutment