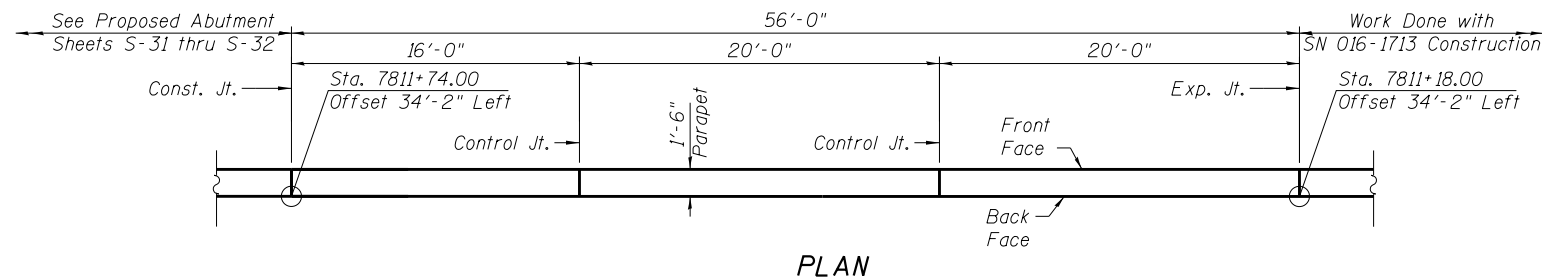
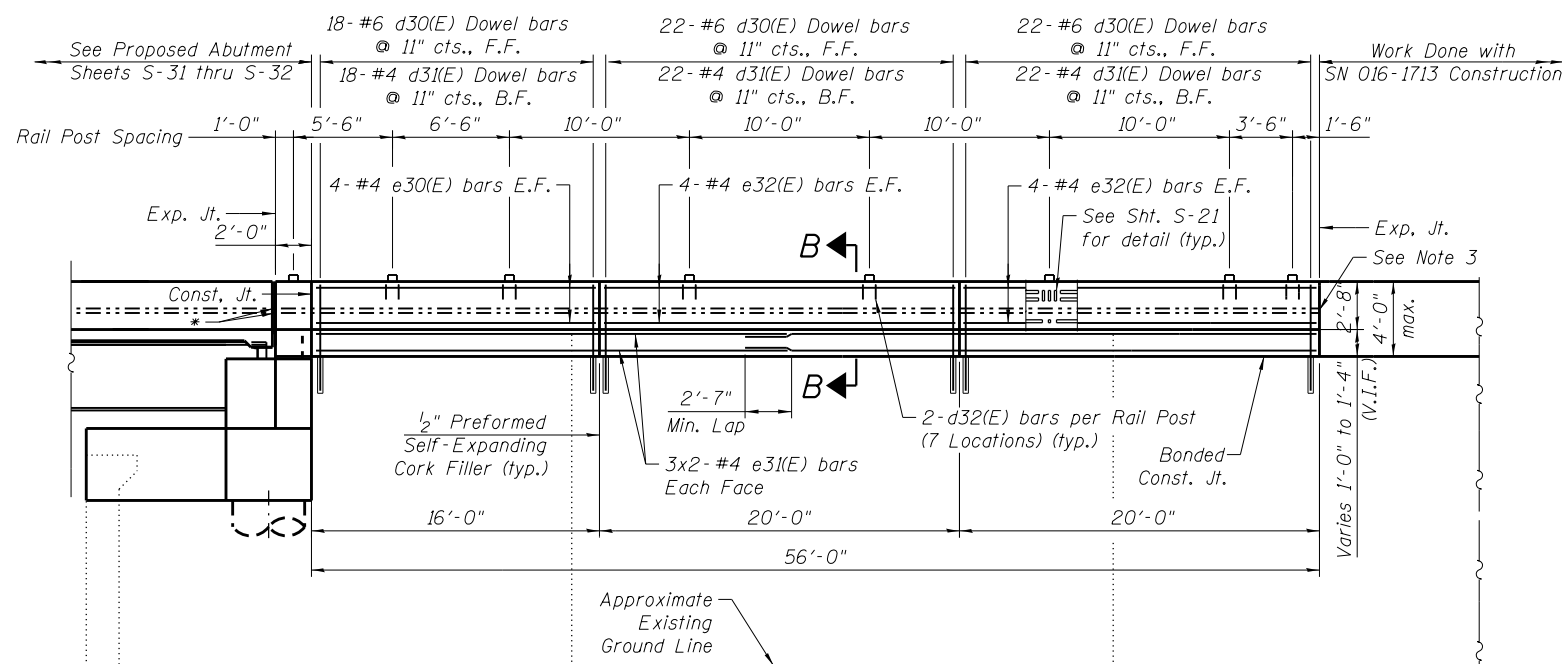


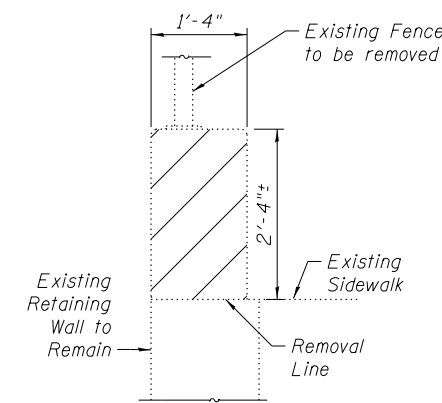
EXISTING ELEVATION
(Looking South)



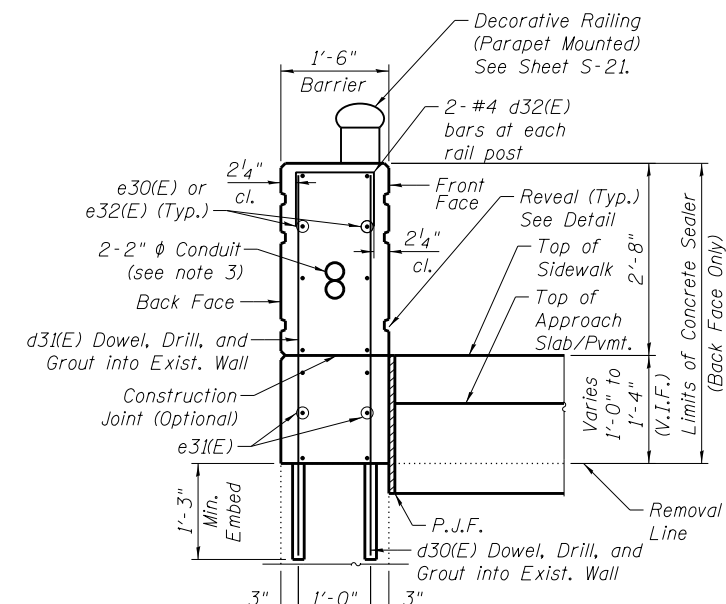
PLAN



PROPOSED ELEVATION
(Looking South)

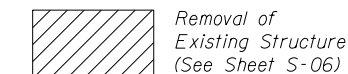


SECTION A-A



SECTION B-B

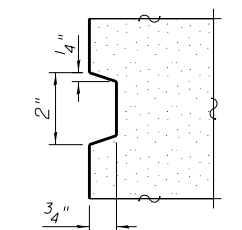
LEGEND:



Removal of Existing Structure (See Sheet S-06)

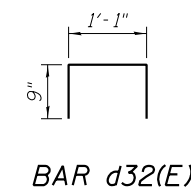
NOTES:

1. Work this sheet with sheet S-33.
2. Drill and Grout d30(E) and d31(E) into the Concrete to 1/4" larger in dia. than the diameter of the bar used with a Minimum Depth of 15 Inches in accordance with Section 584 of the Standard Specifications. Cost included with Reinforcement Bars, Epoxy Coated pay item.
3. Embedded conduit shall be routed to the end of the new parapet wall and connected to SN. 016-1713 conduit in wall. See Lighting Plans details.
4. Apply Protective Coat to front face and top of Barrier. Concrete Sealer to be applied to back face only.
5. E.F. = Each Face
F.F. = Front Face
B.F. = Back Face
V.I.F. = Verify In Field



REVEAL DETAIL

*Provide all conduit expansion/deflection fittings at expansion joints.



BAR d32(E)

BILL OF MATERIAL

Bar	No.	Size	Length	Shape
d30(E) Dowel	62	#6	5'-1"	—
d31(E) Dowel	62	#4	5'-1"	—
d32(E)	14	#4	2'-7"	□
e30(E)	8	#4	15'-8"	—
e31(E)	12	#4	29'-2"	—
e32(E)	16	#4	19'-8"	—
Concrete Superstructure		Cu. Yd.	12	
Protective Coat		Sq. Yd.	26	
Reinforcement Bars, Epoxy Coated		Pound	1,240	
Concrete Sealer		Sq. Ft.	215	

0161711-60W71-S34-Abutment



USER NAME = dunkerleyb	DESIGNED - EJO	REVISED
PLOT SCALE = N.T.S.	CHECKED - DEV	REVISED
PLOT DATE = 12/17/2013	DRAWN - BRD	REVISED
	CHECKED - DEV	REVISED

STATE OF ILLINOIS
DEPARTMENT OF TRANSPORTATION

WEST ABUTMENT REPAIR DETAILS (2 OF 2)
STRUCTURE NO. 016-1711

SHEET NO. S-34 OF S-47 SHEETS

F.A.I. R.T.E.	SECTION	COUNTY	TOTAL SHEETS	SHEET NO.
90/94/290	2013-036R	COOK	256	126
CONTRACT NO.			60W71	
ILLINOIS FED. AID PROJECT -NUMBER-				