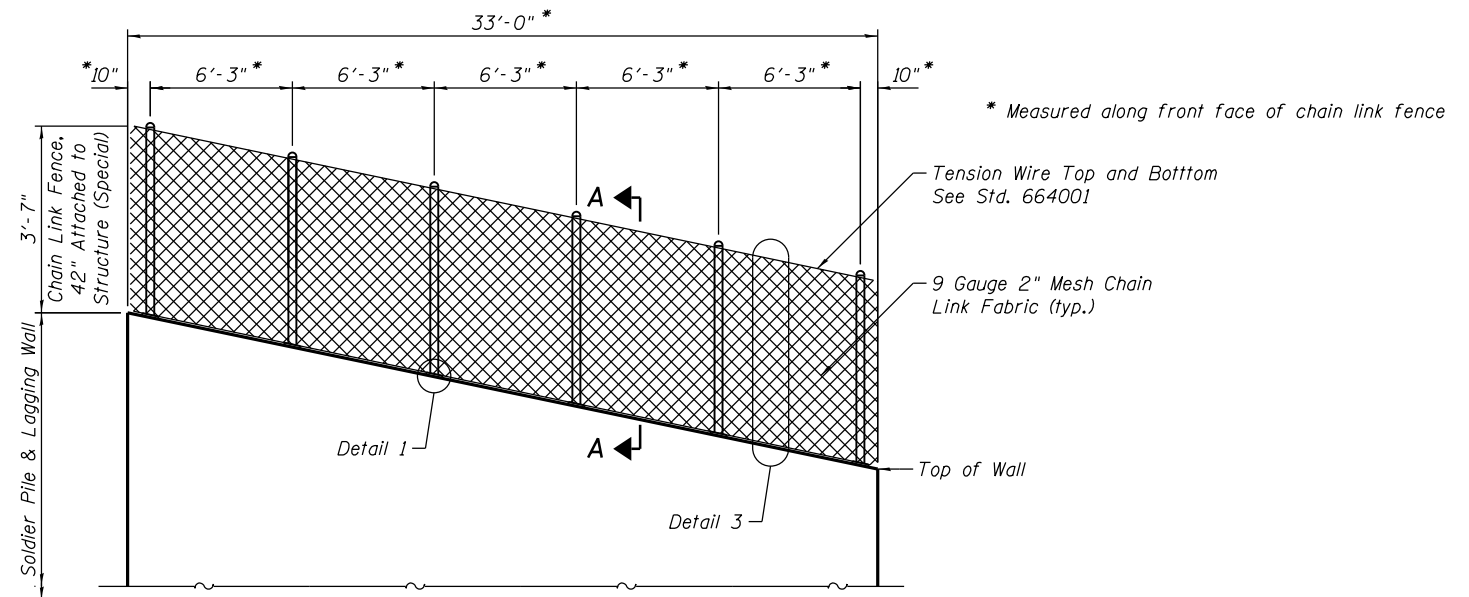


DETAIL 3



FRONT FACE ELEVATION - TOP OF SOLDIER PILE & LAGGING WALL CHAIN LINK FENCE

SUGGESTED SEQUENCE OF CONSTRUCTION, DRILLED SOLDIER PILE WALL

A. Install Drilled Soldier Piles - Contractor is alerted to the presence of existing freight tunnels in vicinity of wall. Below is suggested four step process for pile installation. Contractor may modify proposed method. All procedures must be approved prior to installation.

1. Auger shaft hole while simultaneously pushing permanent casing. Advance to top of tunnel. Permanent casing may be installed in one piece or in sections and spliced. Since Soldier Pile system depends on lateral soil resistance, it is important to match casing size to hole. Grouting to fill voids between soil and casing may be required.
2. Auger/Drill through tunnel, continuing to also install permanent casing. It is anticipated that the contractor will require a different auger bit to continue through the tunnel material.
3. Once past the tunnel elevation, continue auguring through soils while installing casing until top of casing elevation equals existing ground line elevation. Use procedure similar to that described in step one.
4. Continue to auger until plan tip elevation. Push permanent casing (52'-6") as auguring advances using a temporary casing section that is attached to permanent casing with guides or mechanical splice. Once permanent casing reaches tip elevation, the temporary casing can be removed. Temporary splice is bearing only, it is anticipated that guide pieces positioned around the casing will suffice to enable the casing to continue to be pushed. Note that a contractors option is to use permanent casing full height, but pieces of the casing will need to be removed to install lagging.

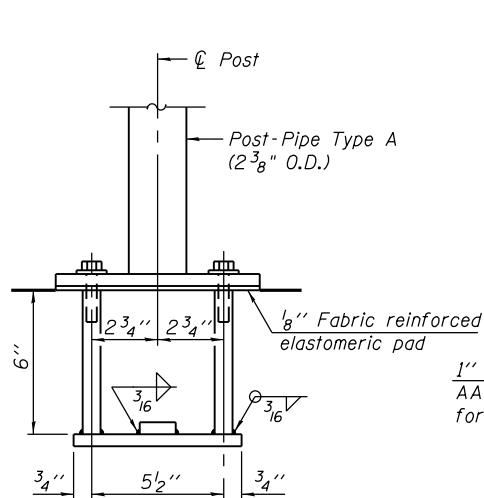
B. Install WF Section in Drilled Hole

1. Place WF section in hole in plan location.
2. Place Encasement Concrete in augured hole to proposed bottom of facing. Allow Encasement Concrete to set prior to the next step.
3. Place CLSM as shown in plans. Based on field conditions, the temporary casing may be pulled after pouring CLSM if soil is caving, or prior to pour if soil conditions are stable. Allow required curing time of CLSM.

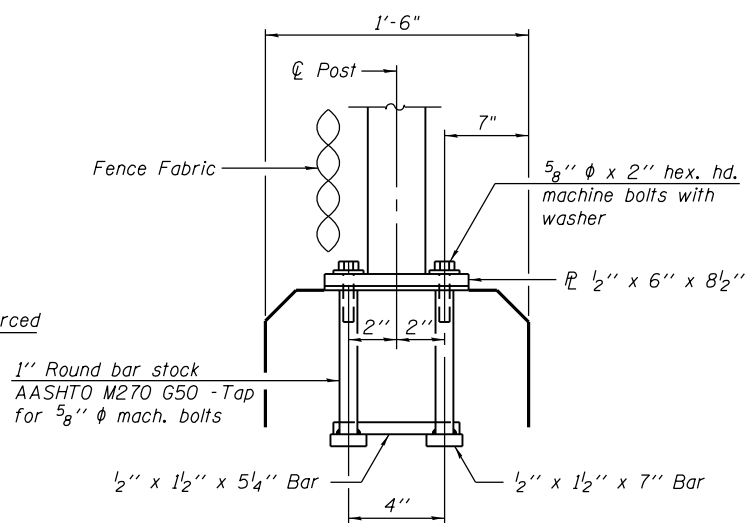
C. Install Lagging

1. Excavate between soldier piles in short lifts starting at top of shaft.
2. Remove sections of CLSM to uncover WF beam flange on exposed side of wall, enough to enable installation of timber lagging behind flange, per plan.
3. Continue working from top down to install remainder of lagging. Minimize over-excavation and grout voids behind lagging as required.

D. Install Underdrain, Wall Drains and Cast-in-Place Wall per Plans



DETAIL 1



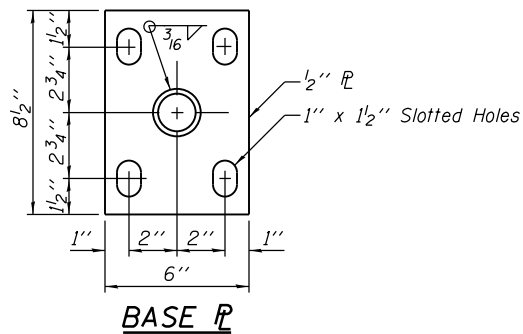
DETAIL 2

ANCHOR BOLT DETAILS

In lieu of the cast-in-place anchor device shown, the Contractor has the option of drilling and setting 5/8" anchor rods according to Article 509.06 of the Standard Specifications. Embedment shall be according to the manufacturer's specifications.

NOTES:

1. For additional chain link fence details, see Standard 664001.
2. Base plate and anchor bolts shall be included with Chain Link Fence, 42" Attached to Structure (Special) pay item.



BASE PLATE

0161711-60W71-S38-Abutment



USER NAME = dabez1cd	DESIGNED - DD	REVISED
	CHECKED - DEV	REVISED
PLOT SCALE = N.T.S.	DRAWN - BRD	REVISED
PLOT DATE = 2/19/2014	CHECKED - DEV	REVISED

**STATE OF ILLINOIS
DEPARTMENT OF TRANSPORTATION**

**EAST ABUTMENT FENCE DETAILS
STRUCTURE NO. 016-1711**

SHEET NO. S-38 OF S-47 SHEETS

F.A.I. RTE. 90/94/290	SECTION 2013-036R	COUNTY COOK	TOTAL SHEETS 256	SHEET NO. 130
CONTRACT NO. 60W71			ILLINOIS FED. AID PROJECT -NUMBER-	