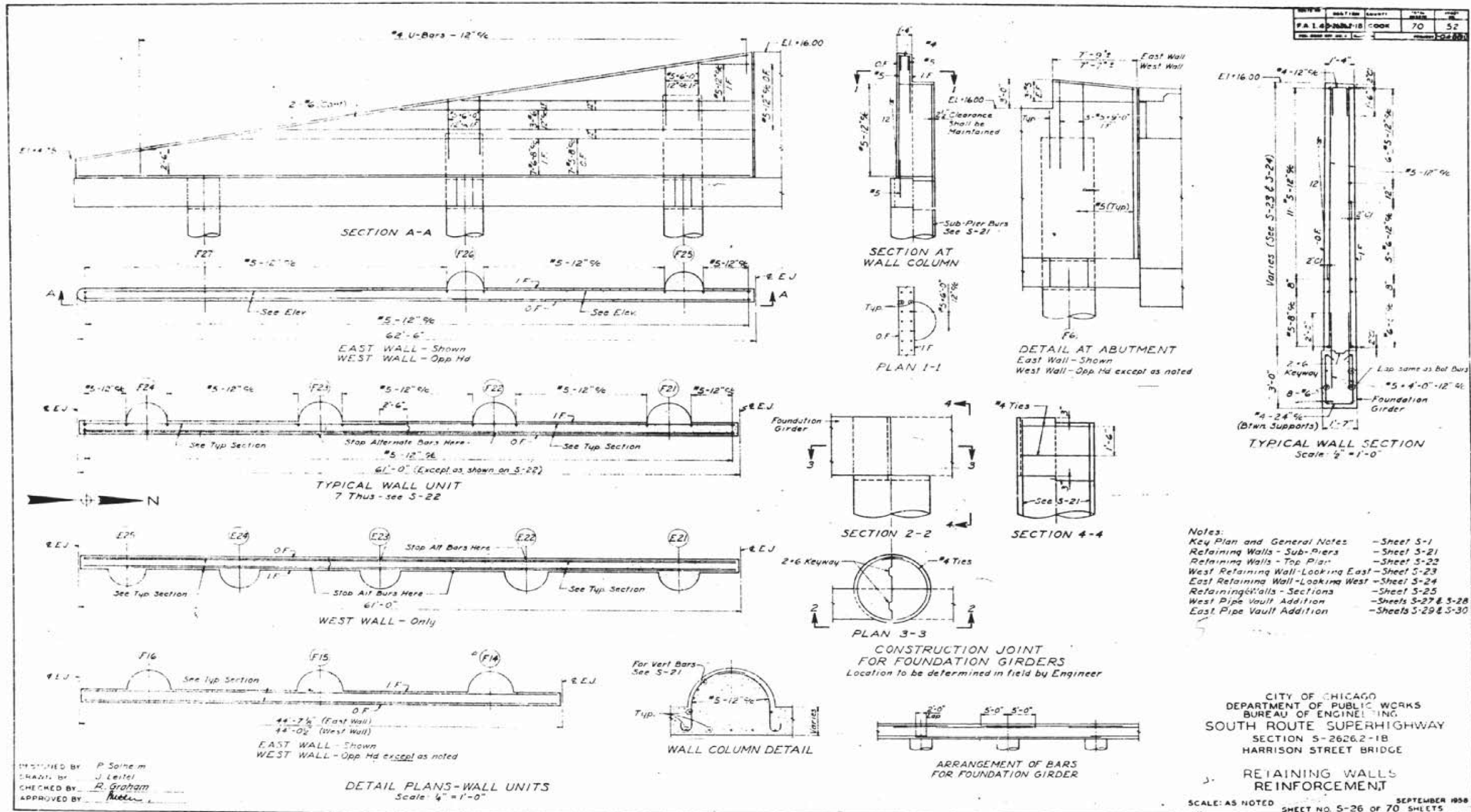


FOR INFORMATION ONLY



D:\60W71-sht-AS-BUILT-57.dgn

USER NAME = dunkerleyb	DESIGNED -	REVISED -
	CHECKED -	REVISED -
PLOT SCALE = N.T.S.	DRAWN -	REVISED -
PLOT DATE = 11/26/2013	CHECKED -	REVISED -

STATE OF ILLINOIS  
 DEPARTMENT OF TRANSPORTATION

EXISTING AS-BUILTS SN 016-1088

SHEET NO. AS-57 OF AS-72 SHEETS

F.A.I. R.E.	SECTION	COUNTY	TOTAL SHEETS	SHEET NO.
90/94/290	2013-036R	COOK	256	199
				CONTRACT NO. 60W71
ILLINOIS FED. AID PROJECT -NUMBER-				