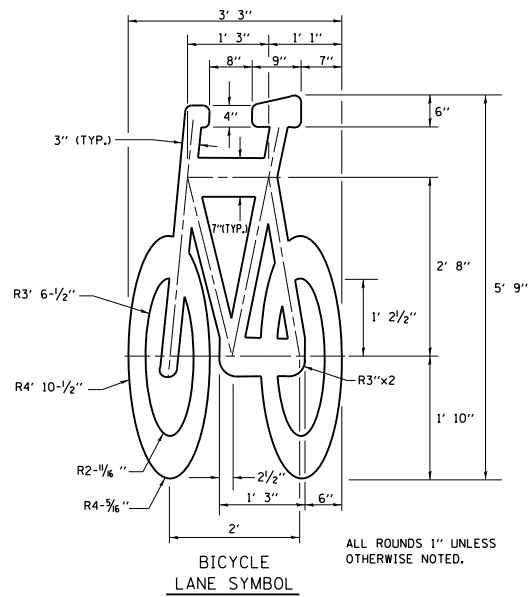
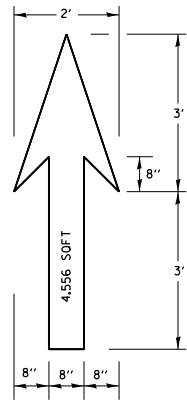
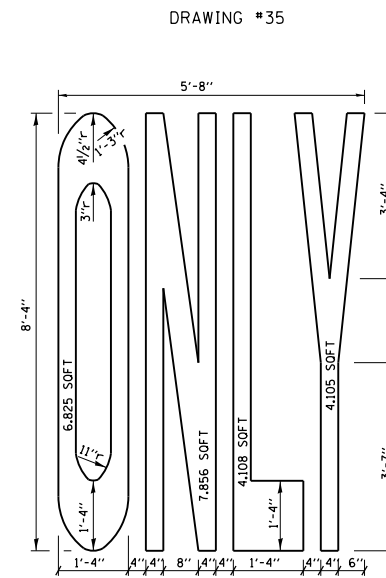
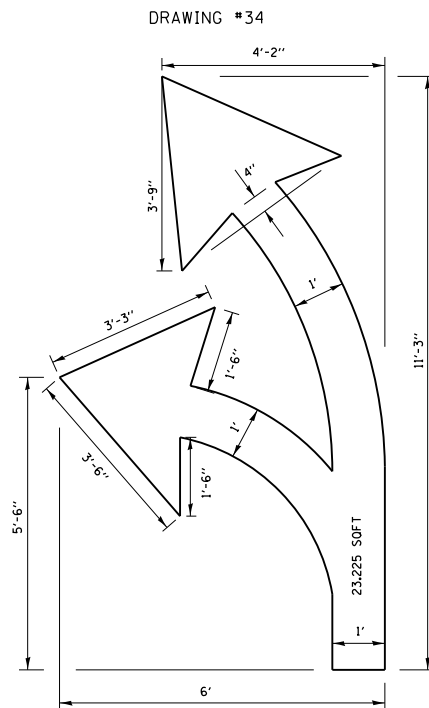
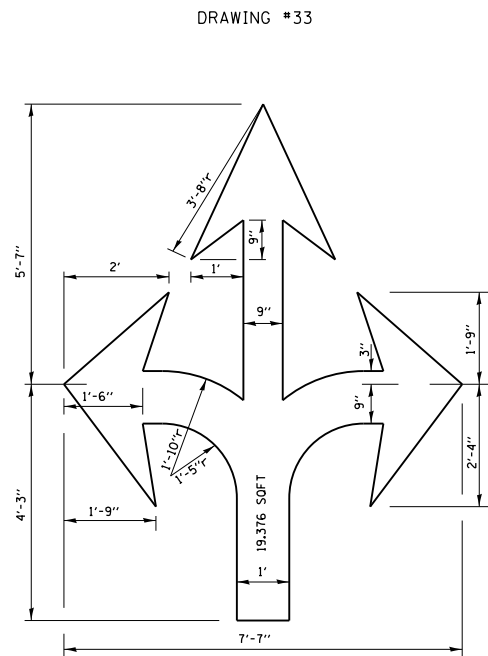
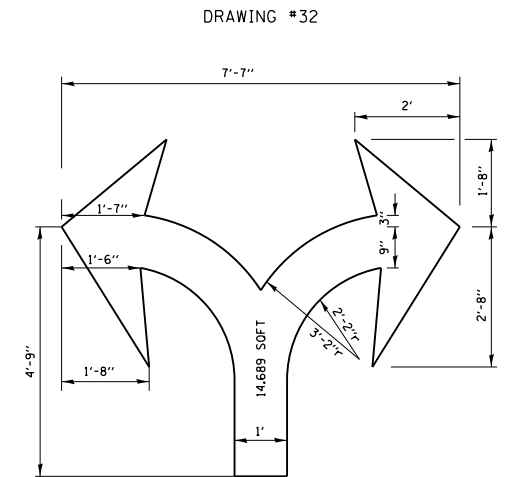
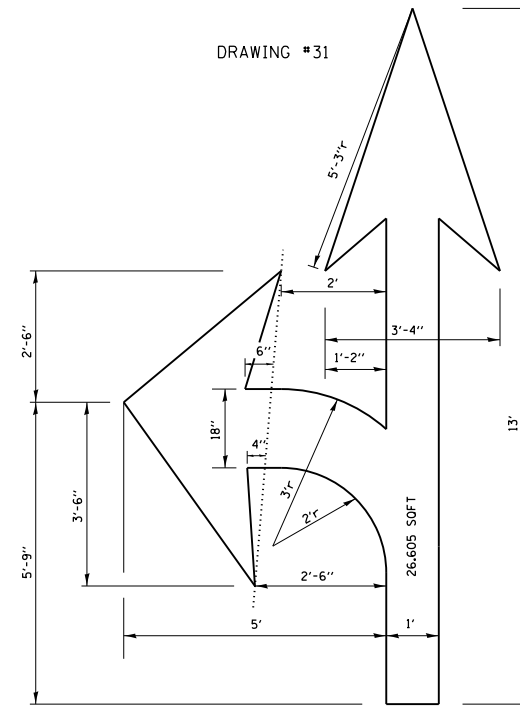
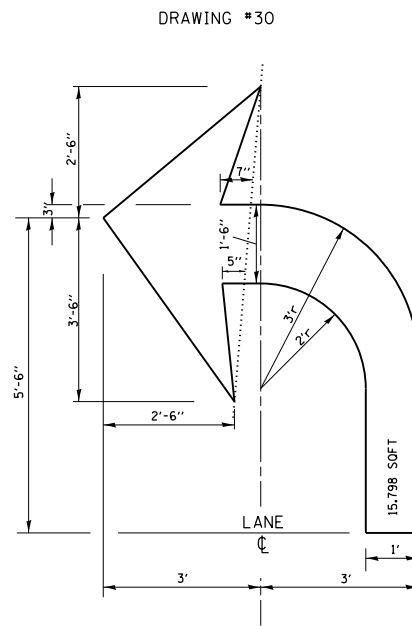
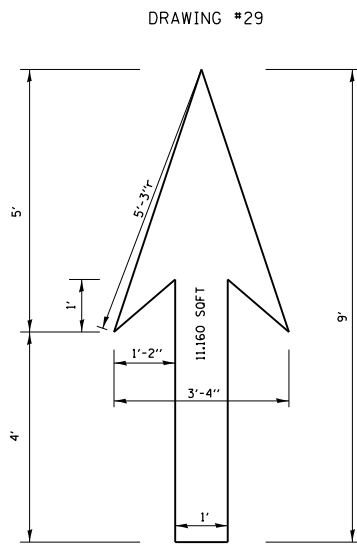


FILE PATH = p:\388035\pmt\aeconom\line\local\p\aeconom\Documents\01_Americas\Transportation\66269938_Circle\Phase_1\000_CAD\006_Roadway_Sheets\66W71_Contract\0166W71-SHT-01-Detail-18-20-1TC-241.dgn



- NOTE:**
- FOR BIKE LANE SYMBOLS ONLY, USE PRE-FORMED THERMOPLASTIC WITH A MINIMUM THICKNESS OF 90 MILS, MINIMUM SKID RESISTANCE VALUE OF 60 BPN, & A MINIMUM INDEX OF REFRACTION OF 1.50.
 - THE RESIDENT ENGINEER SHALL CONTACT MR. BEN GOMBERG AT 312-744-8093 AT LEAST ONE CALENDAR WEEK PRIOR TO INSTALLING BIKE LANE SYMBOLS.

TYPICAL BIKE LANE SYMBOLS
DRAWING #28



NOTE: ALL MARKINGS SHALL BE SOLID WHITE UNLESS OTHERWISE NOTED IN THE PLANS



D160W71-SHT-01-Detail-18-20-1TC-241.dgn
USER NAME = chhua
PLOT SCALE = 50.000' / in.
PLOT DATE = 12/19/2013

DESIGNED - REVISED-T. RAMMACHER 12-07-00
DRAWN - REVISED-K. ENG 01-12-12
CHECKED - REVISED-
DATE - REVISED-

STATE OF ILLINOIS
DEPARTMENT OF TRANSPORTATION

CITY OF CHICAGO
TYPICAL PAVEMENT MARKINGS
SCALE: NONE SHEET OF SHEETS STA. TO STA.

F.A.I. RTE.	SECTION	COUNTY	TOTAL SHEETS	SHEET NO.
90/94/290	2013-036R	COOK	256	232
TC-24			CONTRACT NO. 60W71	
FED. ROAD DIST. NO. 1 ILLINOIS FED. AID PROJECT				