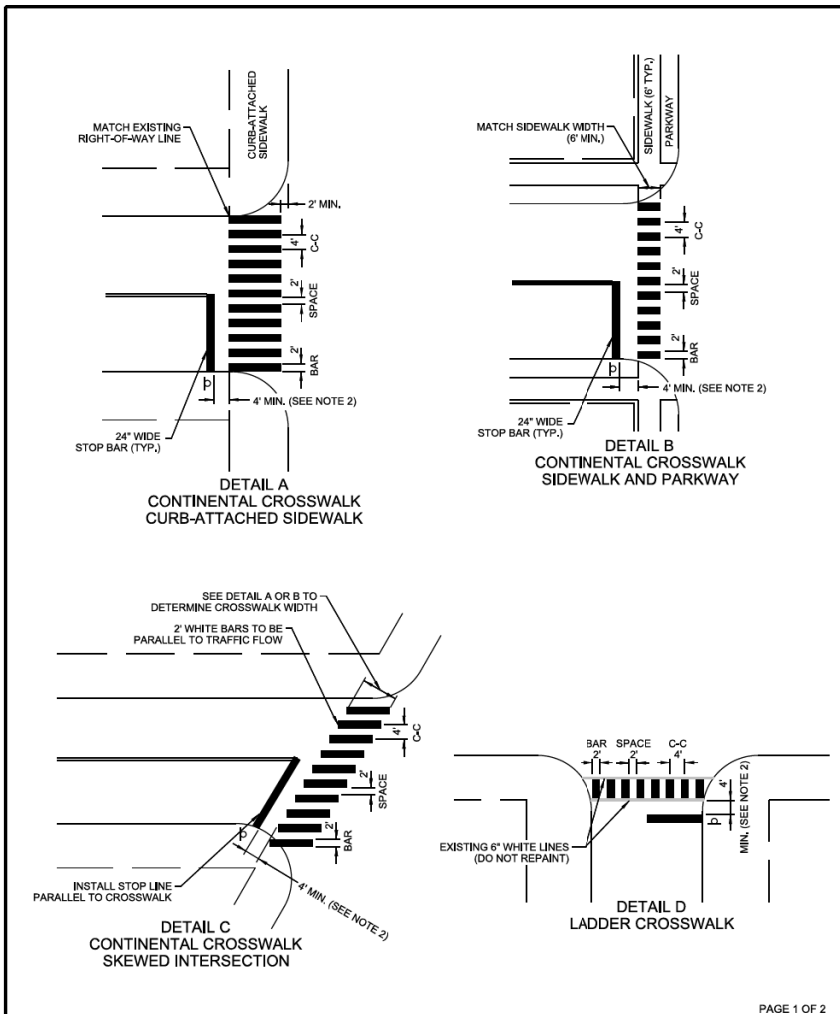
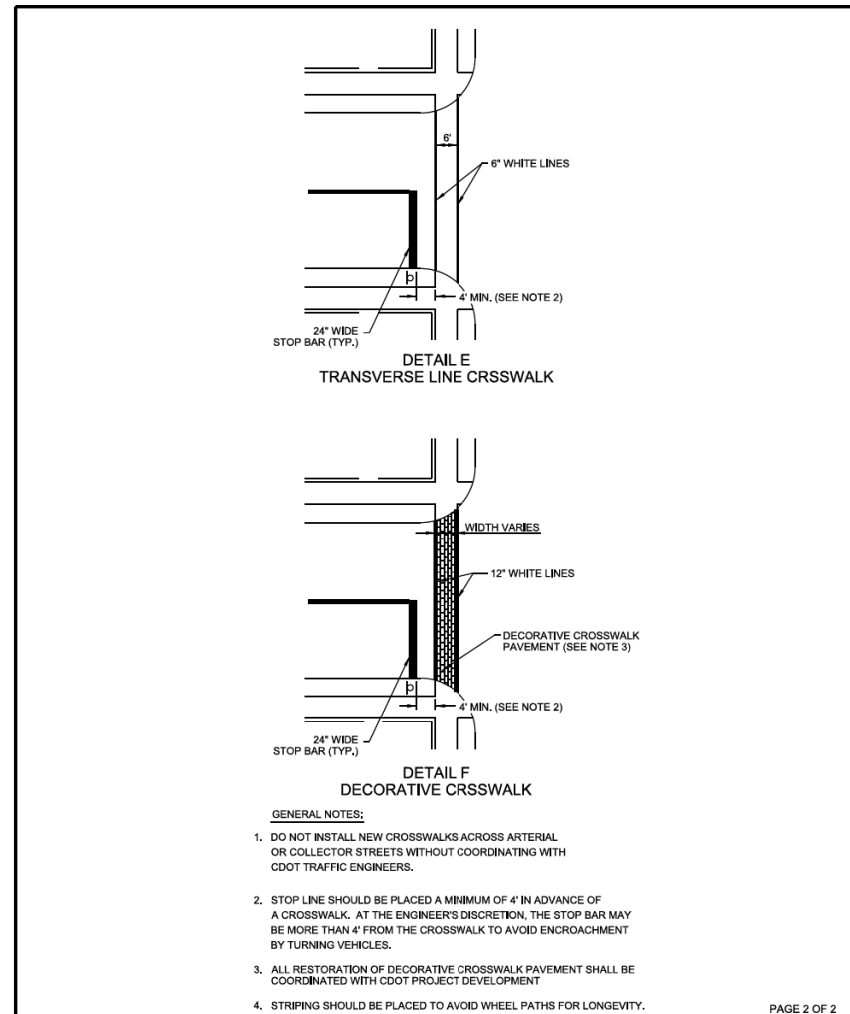


FILE PATH = p:\388035-p\m\1\escomon\line\local\AECOM\00\Documents\01_Americas\Transportation\62629938_Circle\Phase_1\000_CAD\005_Roadway\Sheets\60W71_Contract\0160W71-shr-CDOT-Detail-04



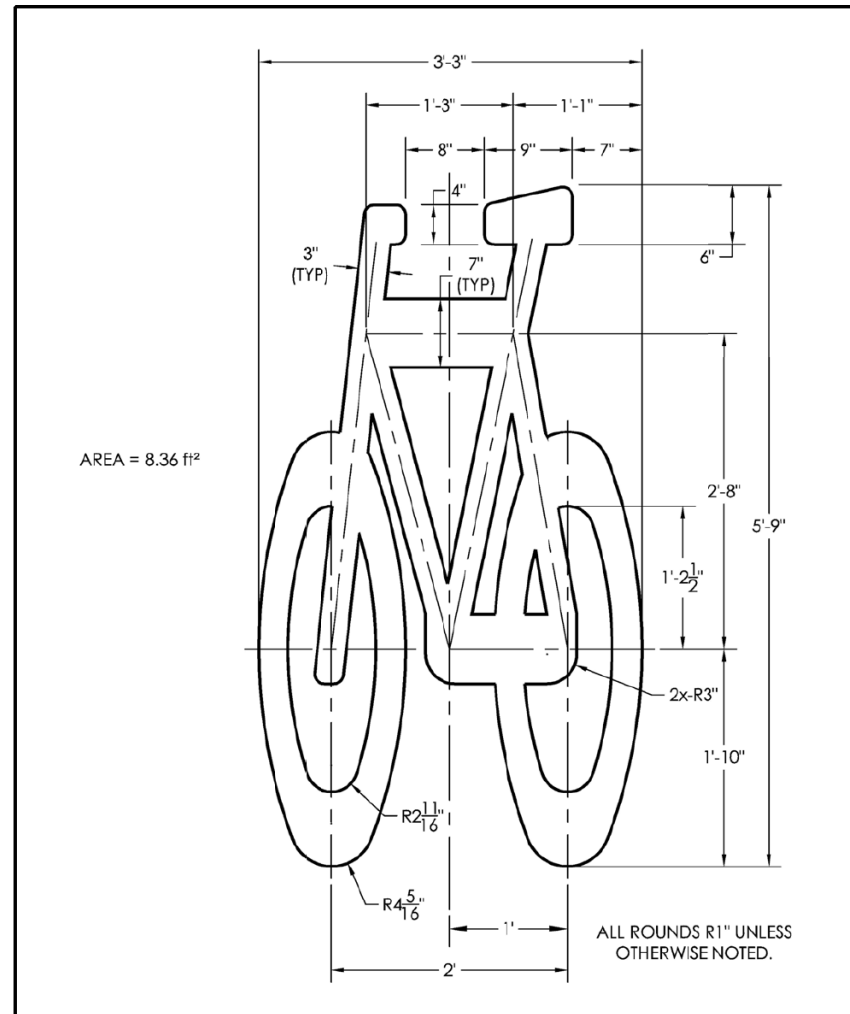
PAGE 1 OF 2

 CHICAGO DEPARTMENT OF TRANSPORTATION	DATE	REVISION	CITY OF CHICAGO		
	1/1/2014	REVISION 1	CROSSWALK MARKING DETAIL		
	DATE	SHEET	DRAWN BY		
	06/25/12	A-7-1A	CDOT		



PAGE 2 OF 2

 CHICAGO DEPARTMENT OF TRANSPORTATION	DATE	REVISION	CITY OF CHICAGO		
	1/1/2014	REVISION 1	CROSSWALK MARKING DETAIL		
	DATE	SHEET	DRAWN BY		
	06/25/12	A-7-1B	CDOT		



 CHICAGO DEPARTMENT OF TRANSPORTATION	DATE	REVISION	CITY OF CHICAGO		
	1/1/2014	REVISION 1	6' BIKE SYMBOL		
	DATE	SHEET	DRAWN BY		
	06/25/12	A-7-2	CDOT		



D160W71-shr-CDOT-Detail-04
 USER NAME = chitue
 PLOT SCALE = 2.0000' / in.
 PLOT DATE = 2/18/2014

DESIGNED - OPS
 DRAWN - OPS
 CHECKED - DBM
 DATE - 02/19/14

REVISED -
 REVISED -
 REVISED -
 REVISED -

STATE OF ILLINOIS
 DEPARTMENT OF TRANSPORTATION

CHICAGO DEPARTMENT OF TRANSPORTATION
 STANDARD DETAILS

SCALE: NTS SHEET 4 OF 6 SHEETS STA. TO STA.

F.A.I. RTE.	SECTION	COUNTY	TOTAL SHEETS	SHEET NO.
90/94/290	2013-036R	COOK	256	240
CONTRACT NO. 60W71			ILLINOIS FED. AID PROJECT	