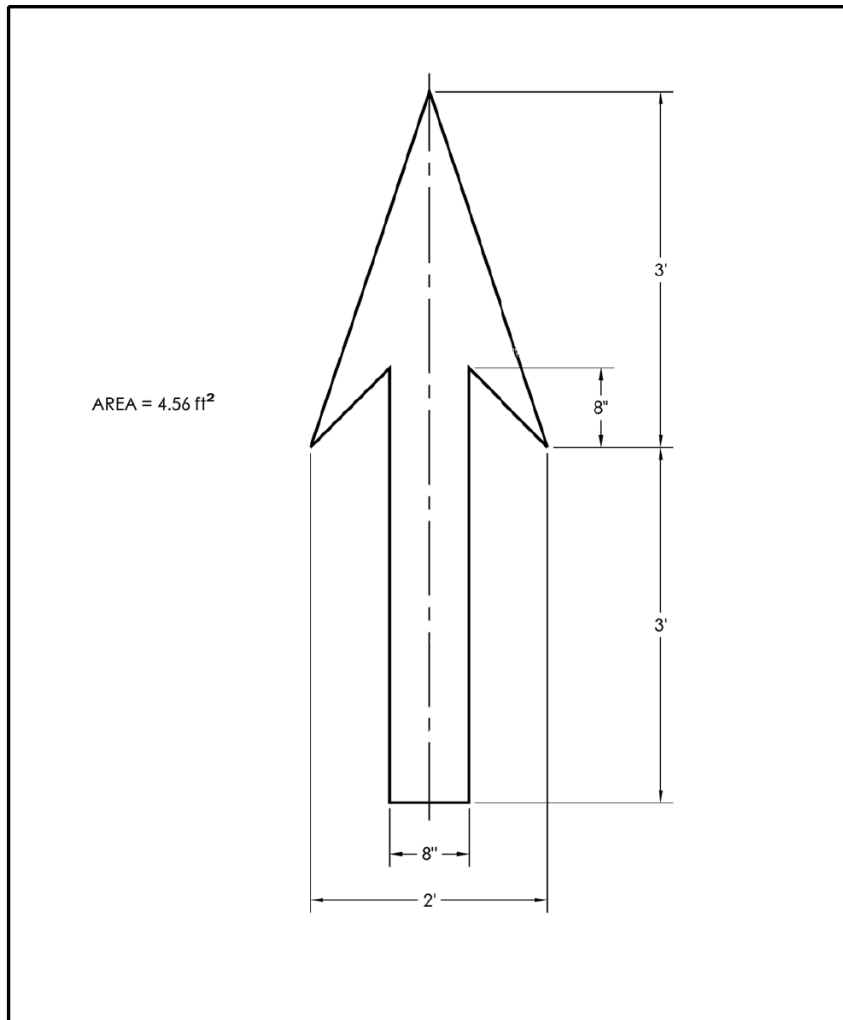
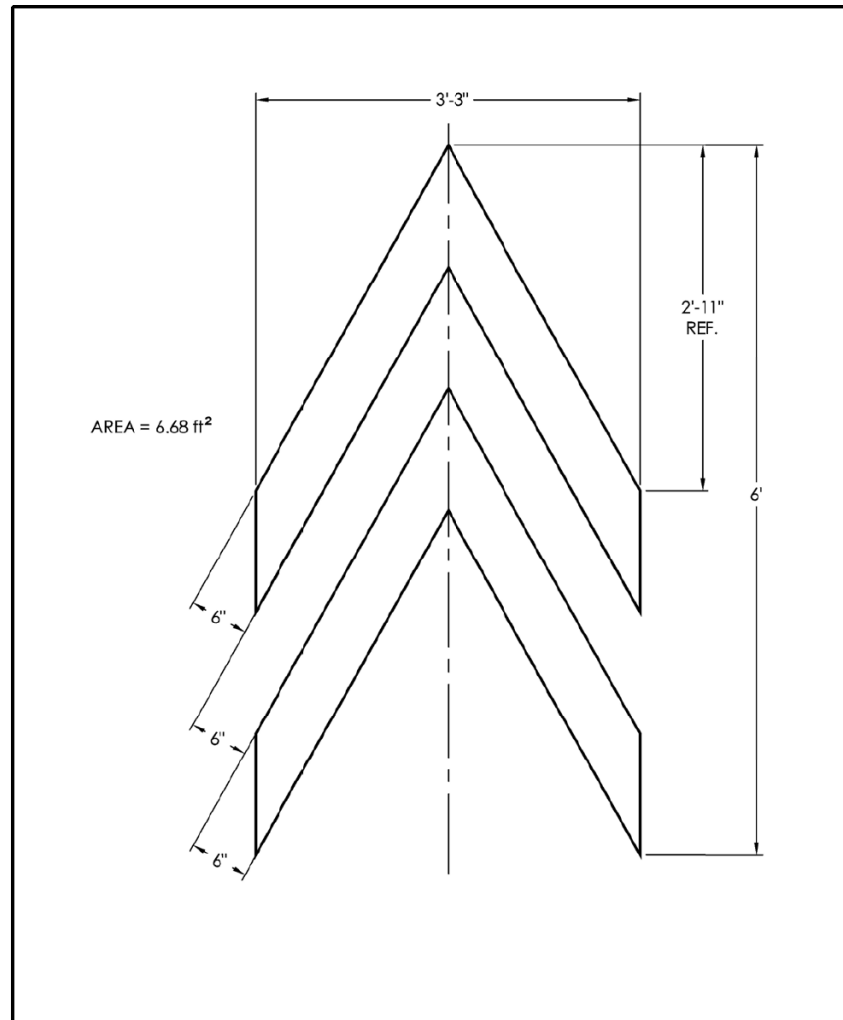


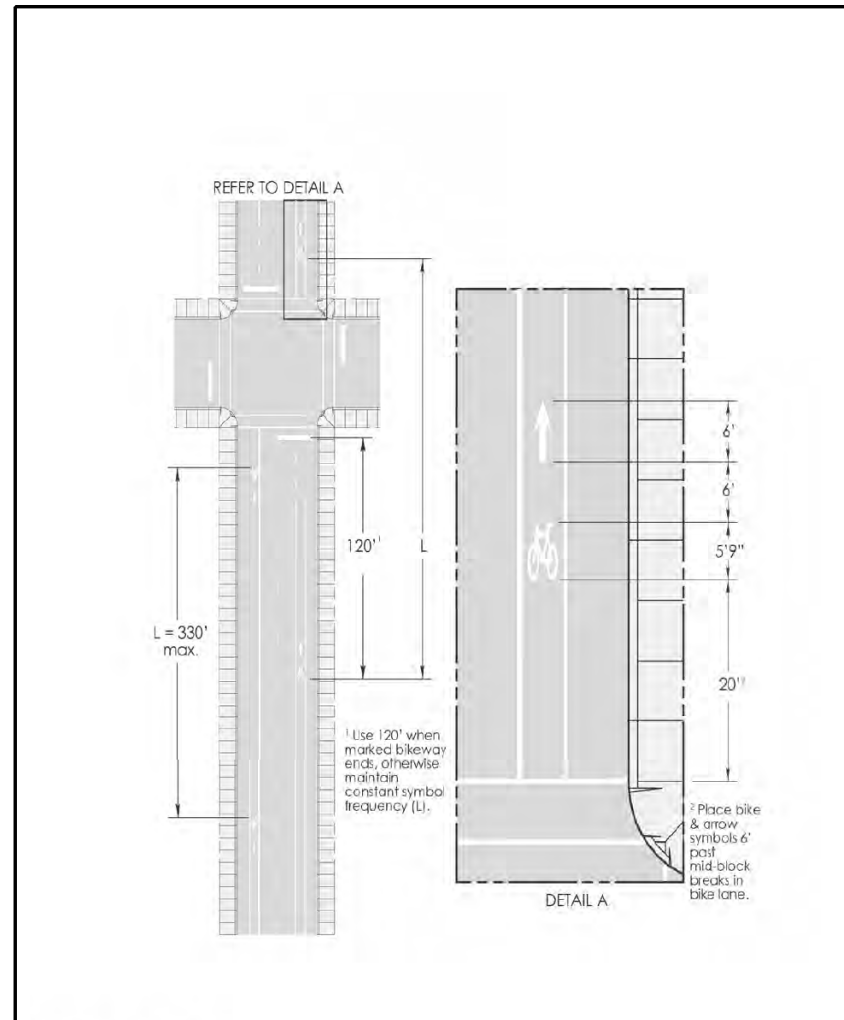
FILE PATH = p:\388035\pmt\escomon\me\local\AECOM\Documents\01\_Americas\Transportation\6269938\_Circle\Phase\_1\000\_CAD\005\_Roadway\Sheets\60W71\_Contract\0160W71-sht-CDOT-Detail-05



 CHICAGO DEPARTMENT OF TRANSPORTATION	DATE	REVISION	CITY OF CHICAGO		
	1/1/2014	REVISION 1	BIKE ARROW		
			DATE	SHEET	DRAWN BY
			06/25/12	A-7-4	CDOT



 CHICAGO DEPARTMENT OF TRANSPORTATION	DATE	REVISION	CITY OF CHICAGO		
	1/1/2014	REVISION 1	BIKE CHEVRON		
			DATE	SHEET	DRAWN BY
			06/25/12	A-7-6	CDOT



 CHICAGO DEPARTMENT OF TRANSPORTATION	DATE	REVISION	CITY OF CHICAGO		
	1/1/2014	REVISION 1	BIKE AND ARROW SYMBOL SPACING		
			DATE	SHEET	DRAWN BY
			09/02/05	A-7-10	CDOT



D160W71-sht-CDOT-Detail-05	DESIGNED - OPS	REVISED -
USER NAME = chisue	DRAWN - OPS	REVISED -
PLOT SCALE = 2.0000' / in.	CHECKED - DBM	REVISED -
PLOT DATE = 2/18/2014	DATE - 02/19/14	REVISED -

STATE OF ILLINOIS  
DEPARTMENT OF TRANSPORTATION

CHICAGO DEPARTMENT OF TRANSPORTATION  
STANDARD DETAILS

SCALE: NTS SHEET 5 OF 6 SHEETS STA. TO STA.

F.A.I. RTE.	SECTION	COUNTY	TOTAL SHEETS	SHEET NO.
90/94/290	2013-036R	COOK	256	241
CONTRACT NO. 60W71				
ILLINOIS FED. AID PROJECT				