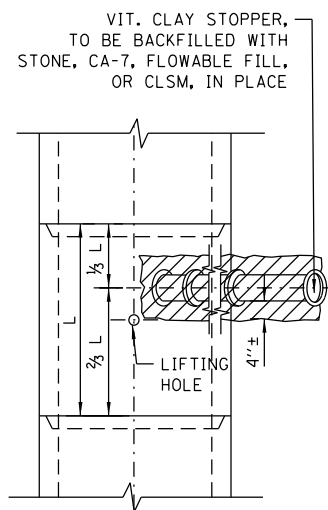
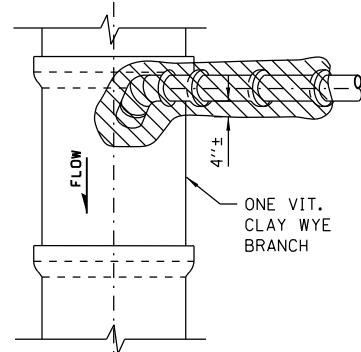


PLAN

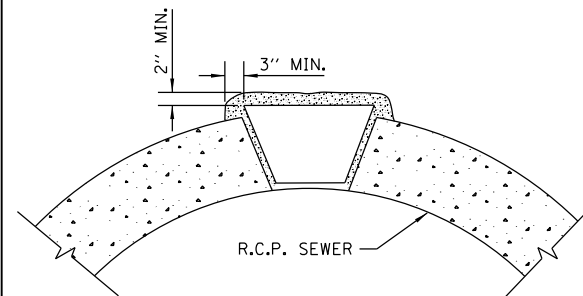


PLAN

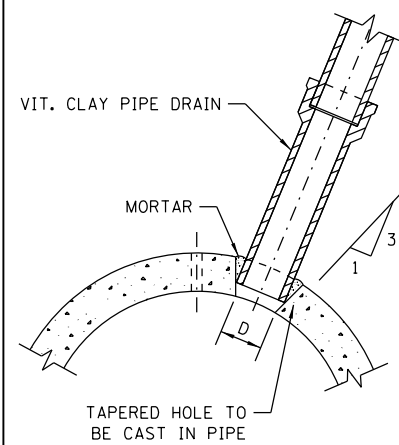


PLAN

NOTE:  
PLUG TO BE COATED WITH MORTAR AND  
DRIVEN INTO PLACE WITH A WOODEN  
MALLET AND THEN SEALED WITH MORTAR.

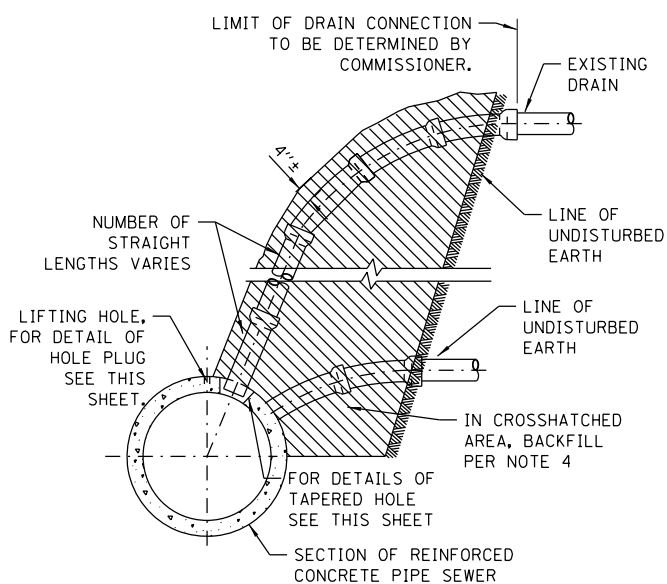


LIFTING HOLE PLUG DETAIL  
FOR CONCRETE PIPE



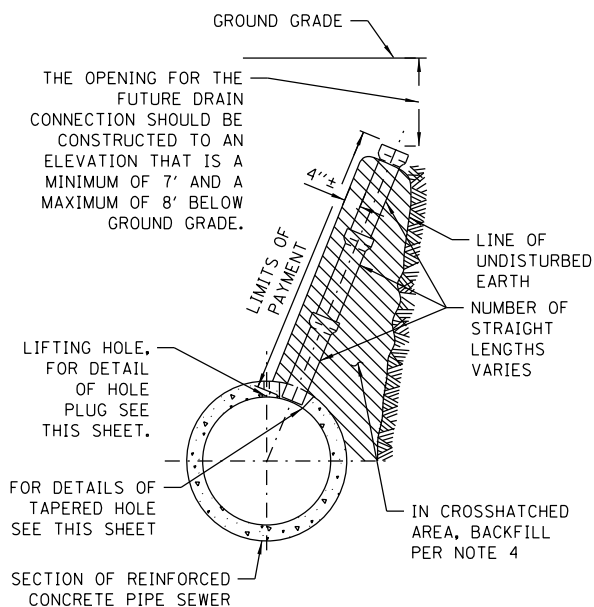
DETAIL OF TAPERED HOLE

SIZE OF DRAIN	"D"
6"	6 7/8"
8"	9 7/8"
10"	11 7/8"
12"	13 1/2"
15"	17"
18"	20 1/4"
21"	23 7/8"
24"	27 1/4"



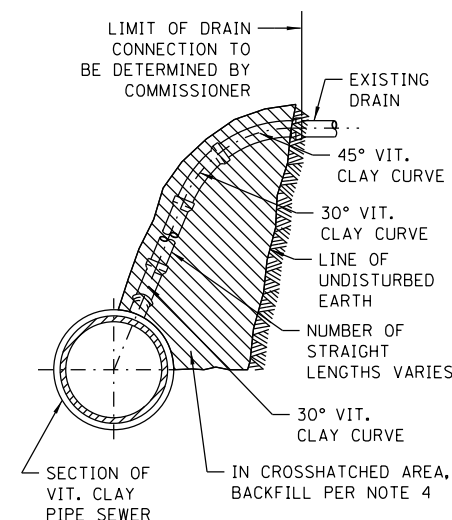
ELEVATION

TYPICAL DRAIN CONNECTIONS  
FOR EXISTING DRAINS



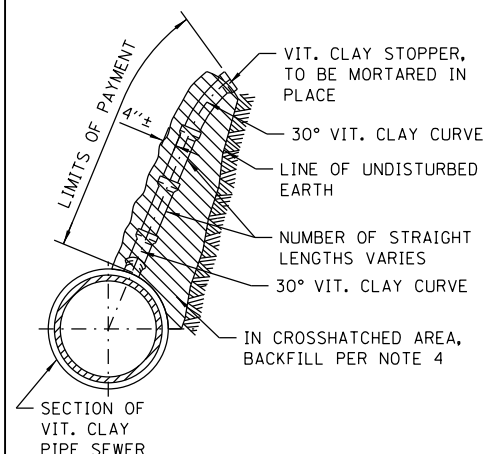
ELEVATION

TYPICAL DRAIN STACKS  
FOR FUTURE USE



ELEVATION

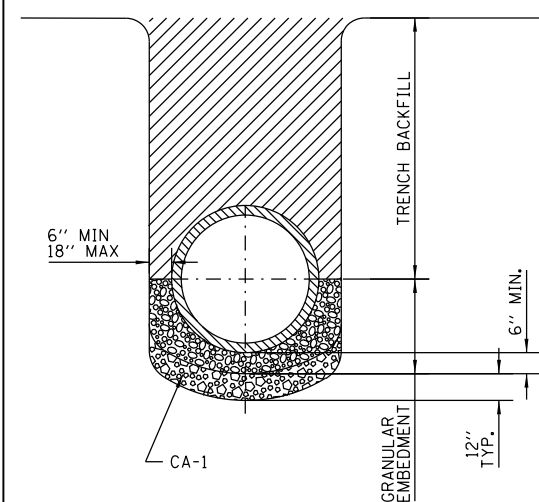
TYPICAL DRAIN CONNECTIONS FOR  
EXISTING DRAINS



ELEVATION

TYPICAL DRAIN STACKS  
FOR FUTURE USE

NOTE:  
GRANULAR MATERIAL WILL BE USED AS BEDDING FOR  
ALL PIPE SEWERS; SEE SPECIFICATIONS, BOOK 3,



DETAIL OF GRANULAR  
EMBEDMENT AND STABILIZATION  
FOR PIPE SEWERS

NOTES:  
FOR STABILIZATION OF TRENCH BOTTOM AND  
PROVISIONS RELATING TO TRENCH BOX SUPPORT  
SEE SPECIFICATIONS, BOOK 3

NOTES:

1. ALL DRAIN CONNECTION JOINTS MUST BE MADE AS SPECIFIED IN SPECIFICATIONS..
2. FOR DUCTILE IRON PIPE DRAIN CONNECTIONS SEE SHEET NO. A.2.
3. FOR ALL GRANULAR EMBANKMENT, USE CA-7 OR CA-11
4. FOR BACKFILL OF HATCHED SUPPORT AREAS, USE CONCRETE, CA-11, FLOWABLE FILL, OR CLSM.

STANDARD REVISIONS	
DATE	DESCRIPTION
1/22/14	APPROVED PLAN

PERCENT COMPLETE	DATE
30	
60	
75	
90	
100	
BULLETIN	

CITY OF CHICAGO DEPARTMENT OF WATER MANAGEMENT BUREAU OF ENGINEERING SERVICES		DRAWN: SDB DESIGNED: SDB CHECKED: CD, CC, SO REVIEWED: SDB
VITRIFIED CLAY PIPE DRAIN CONNECTIONS		A.1
		OF
		PN



D160W71-sht-CDWM-Detail-01.dgn  
USER NAME = chtua  
PLOT SCALE = 2.0000 ' / in.  
PLOT DATE = 2/18/2014

DESIGNED -  
DRAWN -  
CHECKED -  
DATE - 02/19/14

REVISED -  
REVISED -  
REVISED -  
REVISED -

STATE OF ILLINOIS  
DEPARTMENT OF TRANSPORTATION

CHICAGO DEPARTMENT OF WATER MANAGEMENT  
STANDARD DETAILS

SCALE: NTS SHEET 1 OF 12 SHEETS STA. TO STA.

F.A.I. RTE. 90/94/290	SECTION 2013-036R	COUNTY COOK	TOTAL SHEETS 256	SHEET NO. 243
CONTRACT NO. 60W71				
ILLINOIS FED. AID PROJECT				