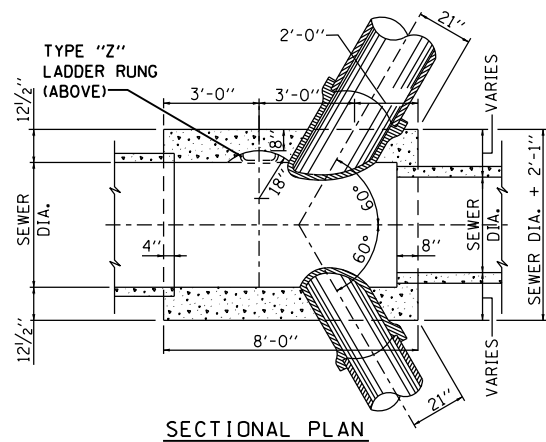
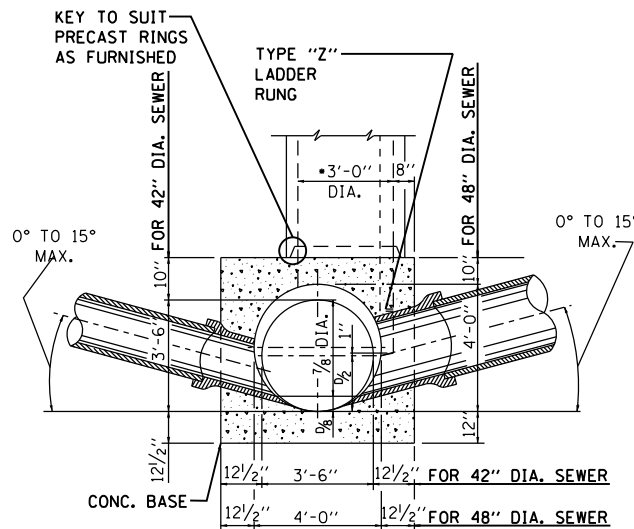


PLAN



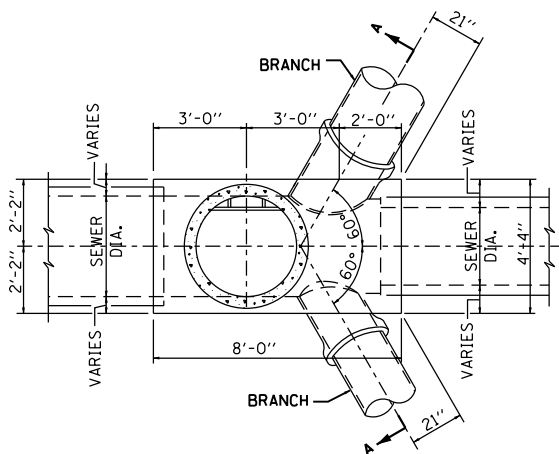
SECTIONAL PLAN



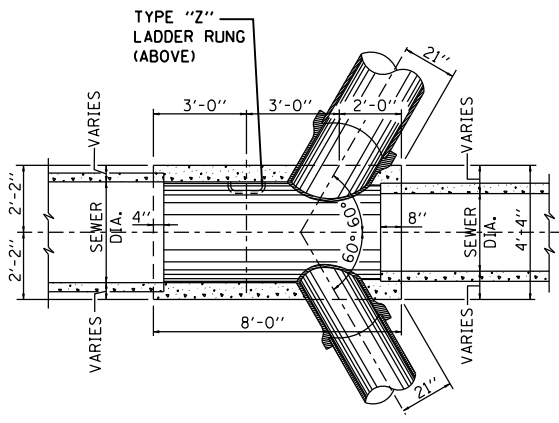
SECTION A-A

TYPE "B" MANHOLE  
FOR SEWERS 48" DIA. & 42" DIA.

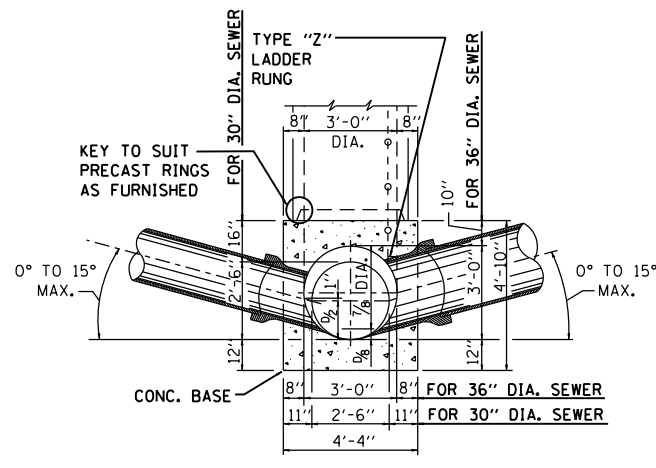
Not To Scale



PLAN



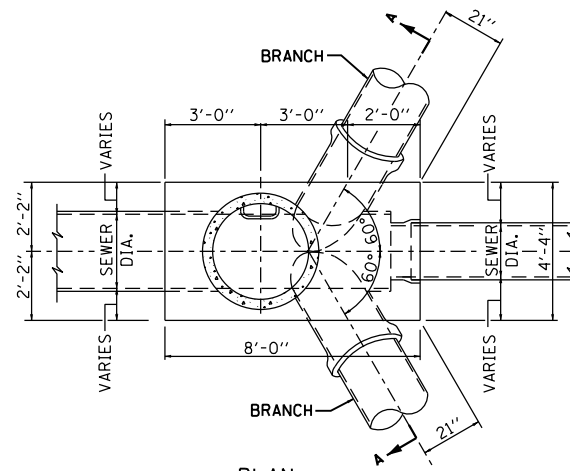
SECTIONAL PLAN



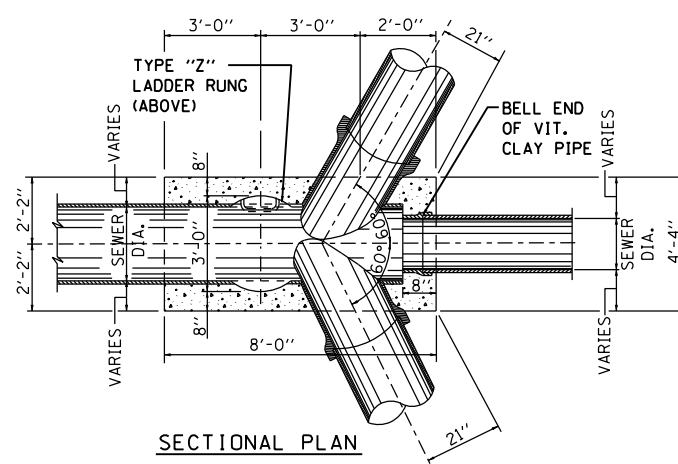
SECTION A-A

TYPE "B" MANHOLE  
FOR SEWERS 36" DIA. & 30" DIA.

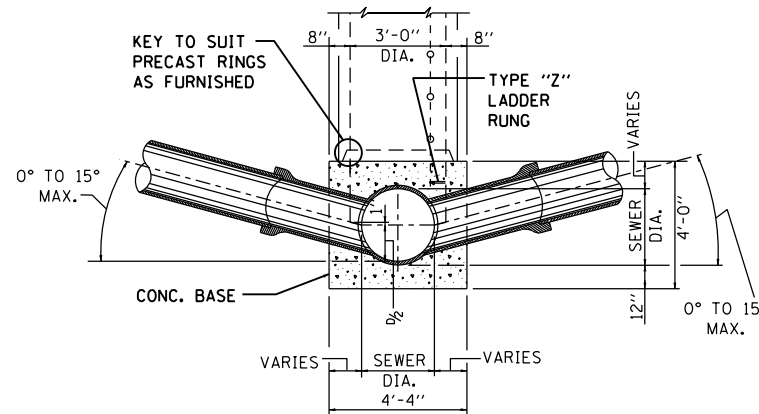
Not To Scale



PLAN



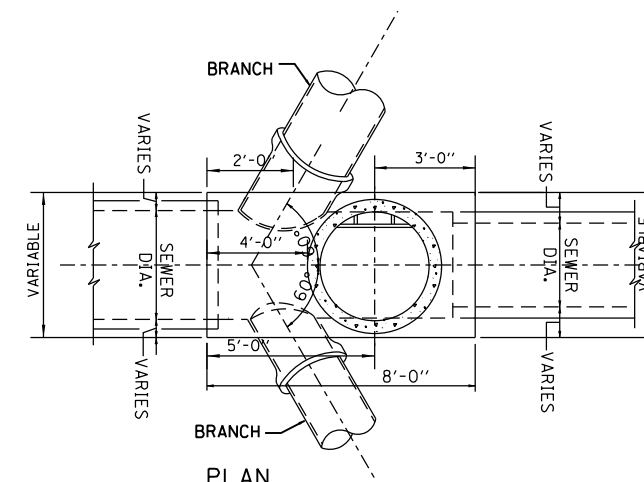
SECTIONAL PLAN



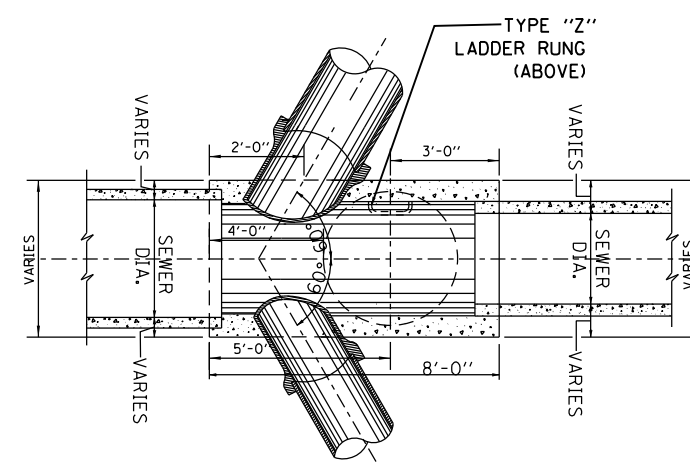
SECTION A-A

TYPE "B" MANHOLE  
FOR SEWERS 24" DIA. & SMALLER

Not To Scale



PLAN



SECTIONAL PLAN

TYPICAL REVERSE TYPE "B" MANHOLE

Not To Scale

- NOTES:
1. CONTRACTOR MUST SUBMIT SHOP DRAWINGS OF ALL PROPOSED MANHOLE CONFIGURATIONS FOR APPROVAL PRIOR TO SUBMISSION OF MATERIAL ORDERS.
  2. CONNECTION BELLS MAY BE INSTALLED AT MANUFACTURER'S SITE, OR MORTARED IN PLACE IN THE FIELD. SEE SHEET A.10A FOR FURTHER CONFIGURATION DETAILS.
  3. BASES MUST BE PRECAST WITH THE CORRECT NUMBER OF PIPE OPENINGS, CORRESPONDING TO THE REPRESENTATION IN THE PLAN AND PROFILE SHEETS.
  4. PATCHING, BRICKING, OR OTHER MATERIAL METHODS OF CLOSING UNUSED HOLES WILL NOT BE ACCEPTED.

STANDARD REVISIONS	
DATE	DESCRIPTION
1/22/14	APPROVED PLAN

PERCENT COMPLETE	DATE	CITY OF CHICAGO DEPARTMENT OF WATER MANAGEMENT BUREAU OF ENGINEERING SERVICES	DRAWN: SDB DESIGNED: SDB CHECKED: SDB REVIEWED: SDB	A.9
30				
60				
75				
90				
100		TYPE "B" MANHOLE		
BULLETIN				

CHICAGO DEPARTMENT OF WATER MANAGEMENT  
STANDARD DETAILS

F.A.I. RTE.	SECTION	COUNTY	TOTAL SHEETS	SHEET NO.
90/94/290	2013-036R	COOK	256	249
CONTRACT NO. 60W71				
ILLINOIS FED. AID PROJECT				

SCALE: NTS SHEET 7 OF 12 SHEETS STA. TO STA.

STATE OF ILLINOIS  
DEPARTMENT OF TRANSPORTATION

DESIGNED -	REVISED -
DRAWN -	REVISED -
CHECKED -	REVISED -
DATE - 02/19/14	REVISED -

D160W71-sht-CDWM-Detail-07.dgn
USER NAME = chitua
PLOT SCALE = 2.0000' / in.
PLOT DATE = 2/18/2014

**AECOM**  
303 EAST WACKER DRIVE, SUITE 1400  
CHICAGO, IL 60601-5076  
PHONE: (312) 373-7700 FAX: (312) 373-6800

FILE PATH = C:\Users\chitua\Desktop\60W71\0160W71-sht-CDWM-Detail-07.dgn