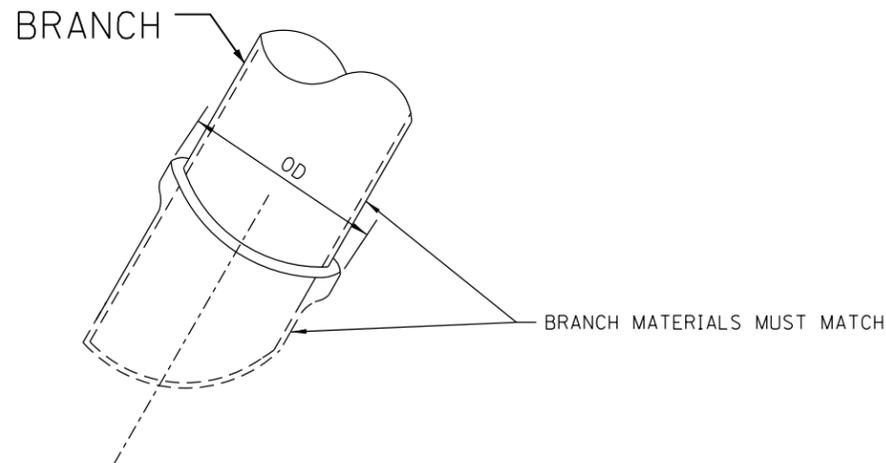


Typical 4 Opening Type B Manhole



NOTES:

1. CONTRACTOR MUST SUBMIT SHOP DRAWINGS OF ALL PROPOSED MANHOLE CONFIGURATIONS FOR APPROVAL PRIOR TO SUBMISSION OF MATERIAL ORDERS.
2. CONNECTION BELLS MAY BE INSTALLED AT MANUFACTURER'S SITE, OR MORTARED IN PLACE IN THE FIELD.
3. BASES MUST BE PRECAST WITH THE CORRECT NUMBER OF PIPE OPENINGS, CORRESPONDING TO THE REPRESENTATION IN THE PLAN AND PROFILE SHEETS.
4. PATCHING, BRICKING, OR OTHER MATERIAL METHODS OF CLOSING UNUSED HOLES WILL NOT BE ACCEPTED.

Branch sizing chart

ID Pipe (in.)	material	OD Pipe (in.)	D max* (in.)
12	VCP	14.36	18.36
15	VCP	17.8	21.8
18	VCP	21.48	25.48
21	VCP	25.54	31.54
8	DIP	9.05	13.05
10	DIP	11.1	15.1
12	DIP	13.2	17.2
14	DIP	15.3	19.3
16	DIP	17.4	21.4
18	DIP	19.5	23.5
20	DIP	21.6	27.6
24	DIP	25.8	31.8
24	RCP III	30	36
27	RCP III	33.5	39.5
30	RCP III	37	43
33	RCP III	40.5	46.5
36	RCP III	44	50
42	RCP III	52.5	58.5

Notes:

1. If the pipe class is not shown on this table, then $D_{max} = OD \text{ pipe} + 4"$
- *2 D_{max} indicates the maximum size of branch opening to be cast or cut into structure.

FILE PATH = C:\Users\chunh\Desktop\60W71\0160W71-sht-CDWM-Detail-08A.dgn

STANDARD REVISIONS	
DATE	DESCRIPTION
1/9/14	APPROVED PLAN

PERCENT COMPLETE	DATE
30	
60	
75	
90	
100	
BULLETIN	

CITY OF CHICAGO DEPARTMENT OF WATER MANAGEMENT BUREAU OF ENGINEERING SERVICES			
TYPE "B" MANHOLE CONFIGURATIONS			

DRAWN: SDB	A.10.A
DESIGNED:	
CHECKED:	
REVIEWED:	
	OF
	PN



D160W71-sht-CDWM-Detail-08A.dgn	DESIGNED -	REVISED -
USER NAME = chunh	DRAWN -	REVISED -
PLOT SCALE = 2.0000' / in.	CHECKED -	REVISED -
PLOT DATE = 2/18/2014	DATE - 02/19/14	REVISED -

**STATE OF ILLINOIS
DEPARTMENT OF TRANSPORTATION**

**CHICAGO DEPARTMENT OF WATER MANAGEMENT
STANDARD DETAILS**

SCALE: NTS SHEET 9 OF 12 SHEETS STA. TO STA.

F.A.I. RTE. 90/94/290	SECTION 2013-036R	COUNTY COOK	TOTAL SHEETS 256	SHEET NO. 250A
CONTRACT NO. 60W71				
ILLINOIS FED. AID PROJECT				