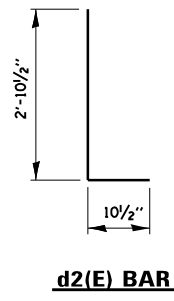
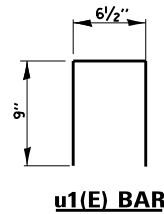


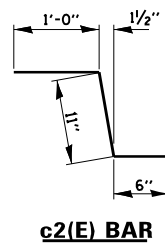
d1(E) BAR



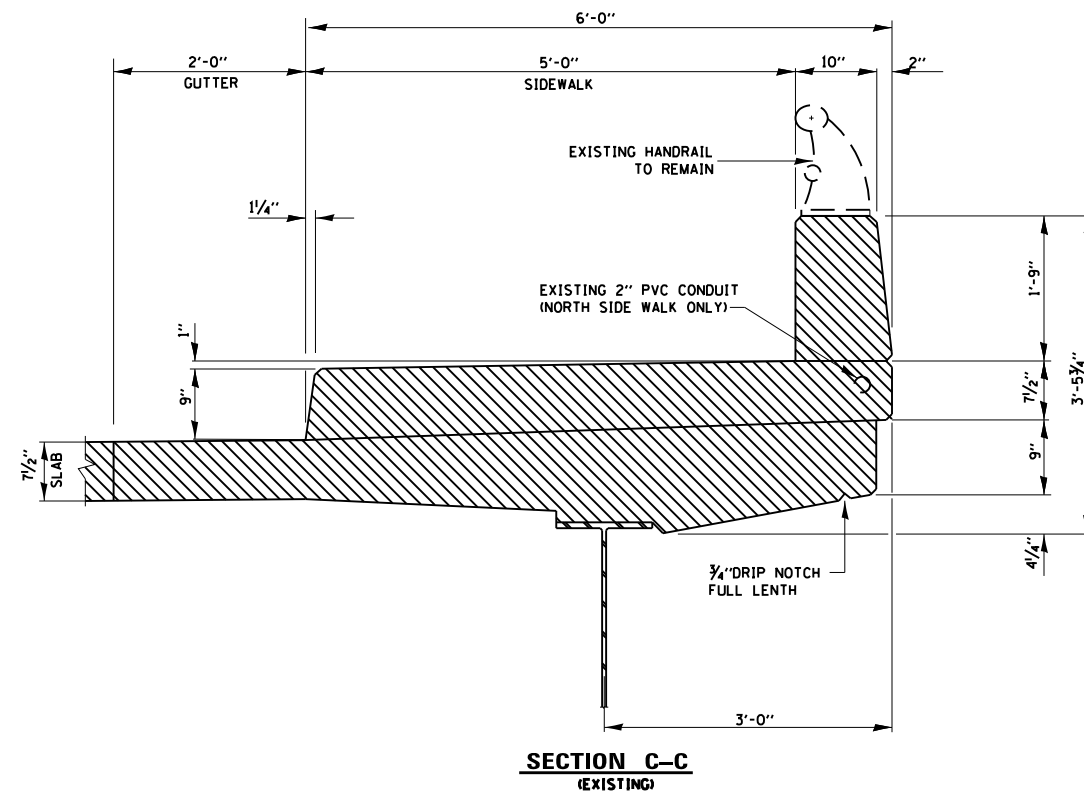
d2(E) BAR



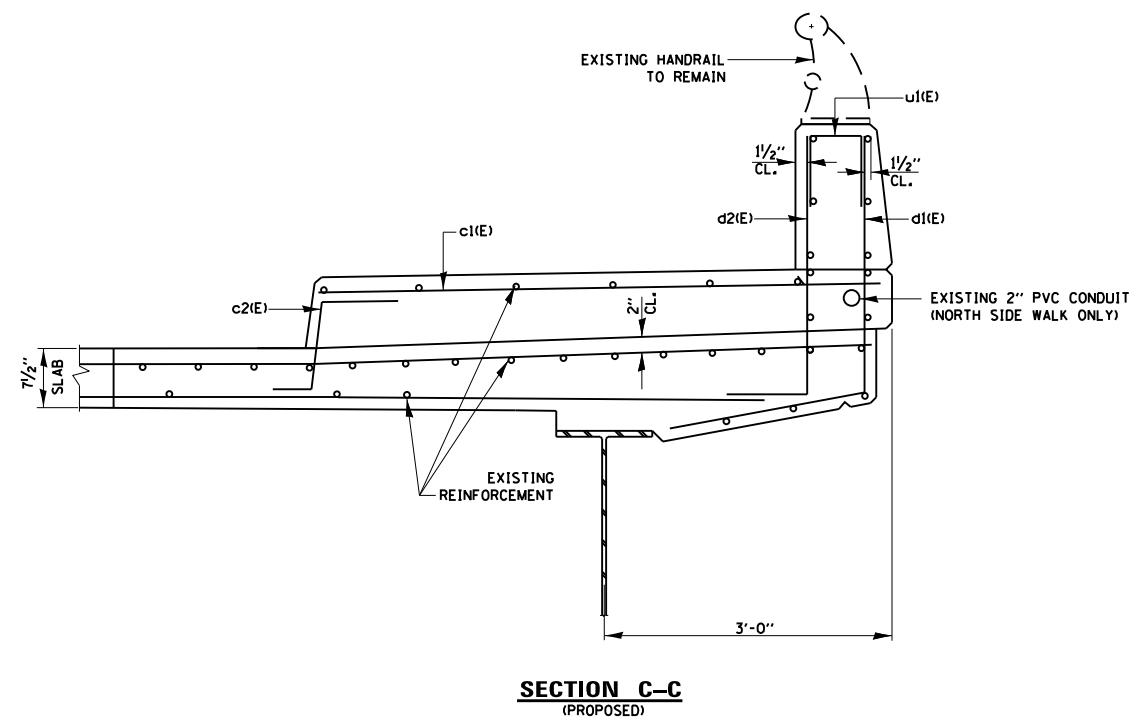
u1(E) BAR



c2(E) BAR



**SECTION C-C
(EXISTING)**



**SECTION C-C
(PROPOSED)**

FILE NAME =	USER NAME = Gorengautab	DESIGNED -	REVISED -
c:\pw\work\p\dot\gorengautab\d0101671\056-0049.dgn		DRAWN -	REVISED -
Default	PLOT SCALE = 100.0000' / in.	CHECKED -	REVISED -
	PLOT DATE = 2/19/2014	DATE -	REVISED -

STATE OF ILLINOIS
DEPARTMENT OF TRANSPORTATION

ILL 120 (ELM STREET) OVER FOX RIVER
SECTIONS AND DETAILS
S.N. 056-0049

F.A.P. RTE.	SECTION	COUNTY	TOTAL SHEETS	SHEET NO.
333	14X-1-3(13)	McHENRY	29	7
CONTRACT NO. 60X22				
ILLINOIS FED. AID PROJECT				

SCALE: SHEET 4 OF SHEETS STA. TO STA.