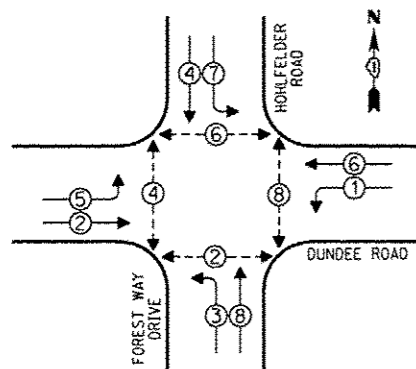




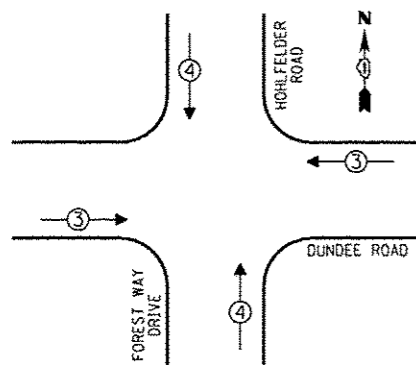
CONTROLLER SEQUENCE



- LEGEND**
- SINGLE ENTRY PHASE
  - DUAL ENTRY PHASE
  - OVERLAP
  - PEDESTRIAN PHASE
  - NUMBER REFERS TO ASSOCIATED PHASE

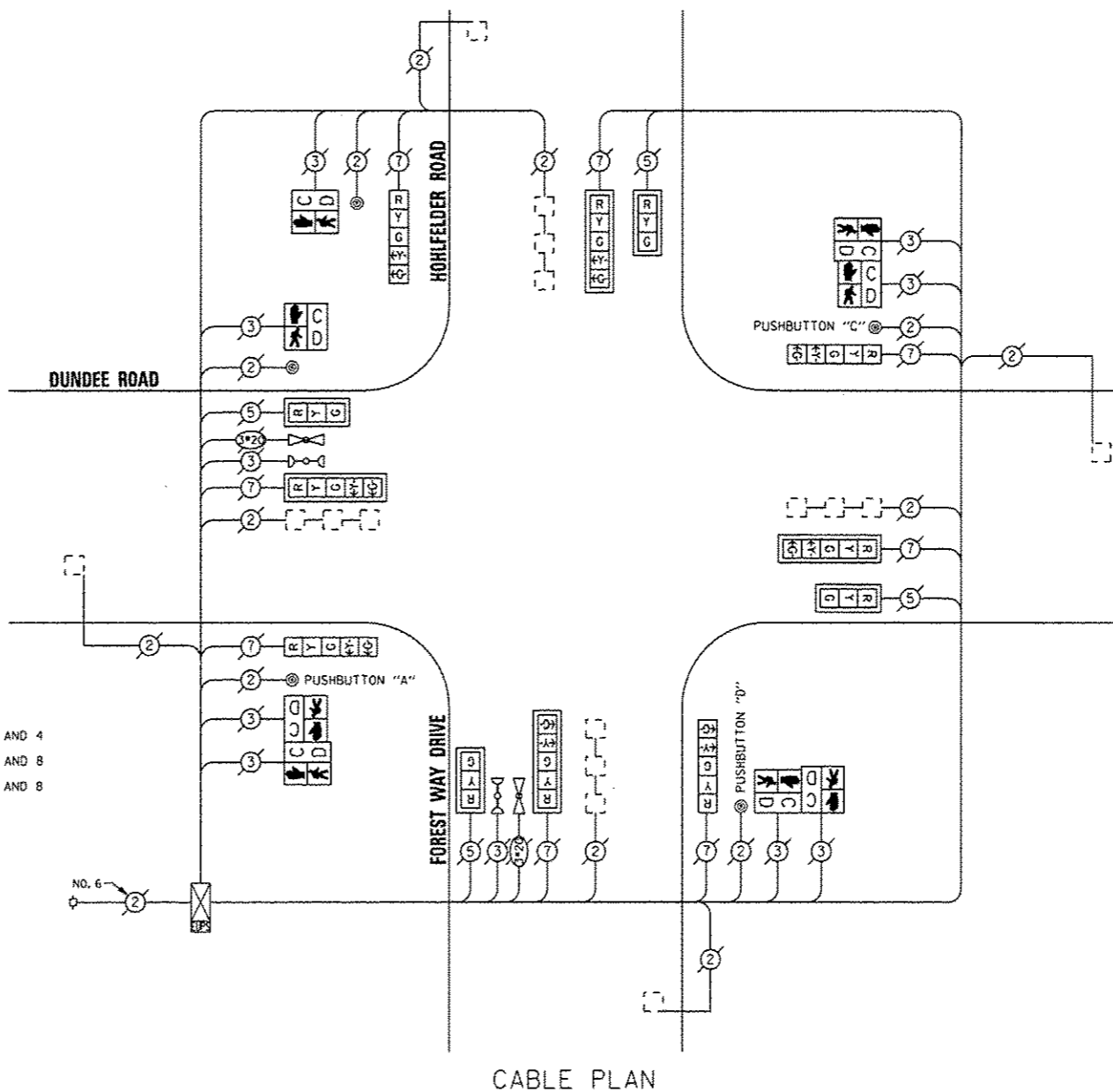
PHASE DESIGNATION DIAGRAM

EMERGENCY VEHICLE PREEMPTION SEQUENCE



| EMERGENCY VEHICLE PREEMPTORS |    |    |  |
|------------------------------|----|----|--|
| EMERGENCY VEHICLE PREEMPTOR  | 3  | 4  |  |
| MOVEMENT                     | ←→ | ↑↓ |  |

NOTE:  
 PUSHBUTTON "A" SHALL PLACE A CALL IN PHASES 2 AND 4  
 PUSHBUTTON "C" SHALL PLACE A CALL IN PHASES 6 AND 8  
 PUSHBUTTON "D" SHALL PLACE A CALL IN PHASES 2 AND 8



CABLE PLAN

THE TRAFFIC SIGNAL CONTROL EQUIPMENT FOR THIS PROJECT SHALL BE "EAGLE".

| I. D. O. T.<br>TRAFFIC SIGNAL INSTALLATION<br>ELECTRICAL SERVICE REQUIREMENTS |              |         |     |              | TOTAL WATTAGE |
|---|--------------|---------|-----|--------------|---------------|
| TYPE  | NO. OF LAMPS | INCAND. | LED | % OPERATIONS |               |
| SIGNAL (RED)  | 12           |         | 17  | 0.50         | 102.00        |
| (YELLOW)  | 12           |         | 25  | 0.25         | 75.00         |
| (GREEN)   | 12           |         | 15  | 0.25         | 45.00         |
| ARROW   | 16           |         | 12  | 0.10         | 19.20         |
| PED. SIGNAL   | 8            |         | 25  | 1.00         | 200.00        |
| CONTROLLER  | 1            |         | 100 | 1.00         | 100.00        |
| ILLUM. SIGN   |              |         | 25  | 0.05         |               |
| LUMINAIRE   |              | 250     |     | 0.50         |               |
| VIDEO SYSTEM  |              | 150     |     | 1.00         |               |
| FLASHER   |              |         |     | 0.50         |               |
| ENERGY COSTS TO:  |              |         |     | TOTAL =      | 541.20        |

VILLAGE OF GLENCOE  
 675 VILLAGE COURT  
 GLENCOE, ILLINOIS 60022

ENERGY SUPPLY - CONTACT: TERRI BLECK  
 PHONE: (847) 816-5239  
 COMPANY: ComEd

REMOVE EXISTING TRAFFIC SIGNAL EQUIPMENT

THE FOLLOWING ITEMS SHALL BE REMOVED BY THE CONTRACTOR AND SHALL BE DISPOSED OF BY THEM OUTSIDE THE RIGHT-OF-WAY AT THEIR EXPENSE. THE SALVAGE VALUE OF THE REMOVED EQUIPMENT SHALL BE REFLECTED IN THE CONTRACT BID PRICE.

| QUAN. | UNIT | DESCRIPTION                    |
|-------|------|--------------------------------|
| 2     | EACH | PEDESTRIAN SIGNAL HEAD, 1-FACE |
| 3     | EACH | PEDESTRIAN SIGNAL HEAD, 2-FACE |
| 5     | EACH | PEDESTRIAN PUSHBUTTON          |

SCHEDULE OF QUANTITIES

| QUAN. | UNIT | ITEM  |
|-------|------|---|
| 1     | EACH | MAINTENANCE OF EXISTING TRAFFIC SIGNAL INSTALLATION                       |
| 2     | EACH | PEDESTRIAN SIGNAL HEAD, LED, 1-FACE, BRACKET MOUNTED WITH COUNTDOWN TIMER |
| 3     | EACH | PEDESTRIAN SIGNAL HEAD, LED, 2-FACE, BRACKET MOUNTED WITH COUNTDOWN TIMER |
| 1     | EACH | REMOVE EXISTING TRAFFIC SIGNAL EQUIPMENT                                  |
| 5     | EACH | PEDESTRIAN PUSH-BUTTON, NON-LATCHING                                      |



|            |          |           |  |
|------------|----------|-----------|--|
| DESIGNED - | JAM      | REVISED - |  |
| DRAWN -    | JAM      | REVISED - |  |
| CHECKED -  | LMM      | REVISED - |  |
| DATE -     | 12-13-13 | REVISED - |  |

STATE OF ILLINOIS  
 DEPARTMENT OF TRANSPORTATION

SCHEDULE OF QUANTITIES, CABLE PLAN, PHASE DESIGNATION  
 DIAGRAM, AND EMERGENCY VEHICLE PREEMPTION SEQUENCE,  
 DUNDEE ROAD AT FOREST WAY DRIVE

SCALE: NONE SHEET OF SHEETS STA. TO STA.

| F.A. RTE. | SECTION    | COUNTY | TOTAL SHEETS              | SHEET NO. |
|-----------|------------|--------|---------------------------|-----------|
| VAR       | 2013-0537S | COOK   | 88                        | 31        |
|           |            |        | CONTRACT NO. 60X28        |           |
|           |            |        | ILLINOIS FED. AID PROJECT |           |