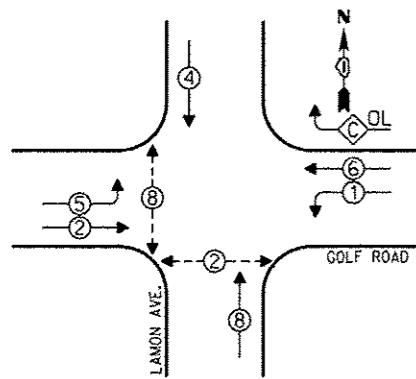


CONTROLLER SEQUENCE

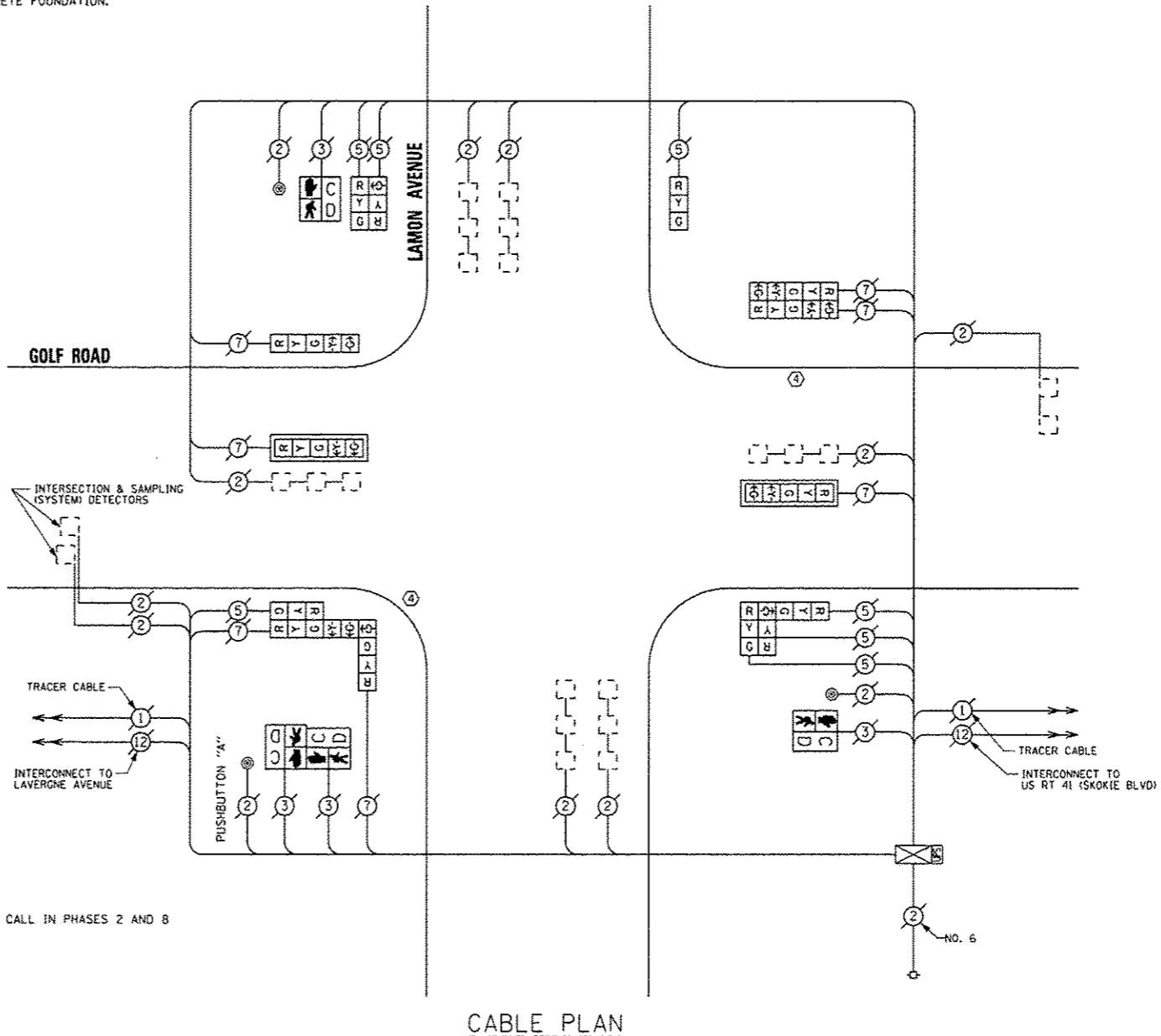


- LEGEND**
- SINGLE ENTRY PHASE
 - DUAL ENTRY PHASE
 - OVERLAP
 - PEDESTRIAN PHASE
 - NUMBER REFERS TO ASSOCIATED PHASE

PHASE DESIGNATION DIAGRAM

OVERLAP LETTER	PERMISSIVE PHASE	PROTECTED PHASE
C	6	1

④ REPLACE 16 FT. PAINTED POST, RE-USE EXISTING TYPE A CONCRETE FOUNDATION.



NOTE:
PUSHBUTTON "A" SHALL PLACE A CALL IN PHASES 2 AND 8

REPLACE ALL EXISTING TRAFFIC SIGNAL HEADS

THE TRAFFIC SIGNAL CONTROL EQUIPMENT FOR THIS PROJECT SHALL BE "ECONOLITE".

CABLE PLAN

REMOVE EXISTING TRAFFIC SIGNAL EQUIPMENT

THE FOLLOWING ITEMS SHALL BE REMOVED BY THE CONTRACTOR AND SHALL BE DISPOSED OF BY THEM OUTSIDE THE RIGHT-OF-WAY AT THEIR EXPENSE. THE SALVAGE VALUE OF THE REMOVED EQUIPMENT SHALL BE REFLECTED IN THE CONTRACT BID PRICE.

QUAN.	UNIT	DESCRIPTION
2	EACH	TRAFFIC SIGNAL POST
1	EACH	SIGNAL HEAD, 1-FACE, 3-SECTION
3	EACH	SIGNAL HEAD, 1-FACE, 5-SECTION
1	EACH	SIGNAL HEAD, 2-FACE, 3-SECTION
1	EACH	SIGNAL HEAD, 2-FACE, 5-SECTION
1	EACH	SIGNAL HEAD, LED, 3-FACE, 3-SECTION
1	EACH	SIGNAL HEAD, LED, 3-FACE, 1-3 SECTION, 1-4 SECTION, 1-5 SECTION
2	EACH	PEDESTRIAN SIGNAL HEAD, 1-FACE
1	EACH	PEDESTRIAN SIGNAL HEAD, 2-FACE
2	EACH	TRAFFIC SIGNAL BACKPLATE
3	EACH	PEDESTRIAN PUSHBUTTON

SCHEDULE OF QUANTITIES

QUAN.	UNIT	ITEM
1	EACH	MAINTENANCE OF EXISTING TRAFFIC SIGNAL INSTALLATION
2	EACH	TRAFFIC SIGNAL POST, GALVANIZED STEEL 16 FT.
1	EACH	SIGNAL HEAD, LED, 1-FACE, 3-SECTION, BRACKET MOUNTED
1	EACH	SIGNAL HEAD, LED, 1-FACE, 5-SECTION, BRACKET MOUNTED
2	EACH	SIGNAL HEAD, LED, 1-FACE, 5-SECTION, MAST ARM MOUNTED
1	EACH	SIGNAL HEAD, LED, 2-FACE, 3-SECTION, BRACKET MOUNTED
1	EACH	SIGNAL HEAD, LED, 2-FACE, 5-SECTION, BRACKET MOUNTED
1	EACH	SIGNAL HEAD, LED, 3-FACE, 3-SECTION, BRACKET MOUNTED
1	EACH	SIGNAL HEAD, LED, 3-FACE, 1-3 SECTION, 1-4 SECTION, 1-5 SECTION BRACKET MOUNTED
2	EACH	PEDESTRIAN SIGNAL HEAD, LED, 1-FACE, BRACKET MOUNTED WITH COUNTDOWN TIMER
1	EACH	PEDESTRIAN SIGNAL HEAD, LED, 2-FACE, BRACKET MOUNTED WITH COUNTDOWN TIMER
2	EACH	TRAFFIC SIGNAL BACKPLATE, LOUVERED, ALUMINUM
1	EACH	MODIFY EXISTING CONTROLLER CABINET
1	EACH	REMOVE EXISTING TRAFFIC SIGNAL EQUIPMENT
1	EACH	UNINTERRUPTIBLE POWER SUPPLY, SPECIAL
3	EACH	PEDESTRIAN PUSH-BUTTON, NON-LATCHING

I.O.O.T. TRAFFIC SIGNAL INSTALLATION ELECTRICAL SERVICE REQUIREMENTS					TOTAL WATTAGE
TYPE	NO. OF LAMPS	INCAND.	LED	% OPERATIONS	
SIGNAL (RED)	14		17	0.50	119.00
(YELLOW)	14		25	0.25	87.50
(GREEN)	15		15	0.25	56.25
ARROW	12		12	0.10	14.40
PED. SIGNAL	4		25	1.00	100.00
CONTROLLER	1		100	1.00	100.00
ILLUM. SIGN			25	0.05	
LUMINAIRE		250		0.50	
VIDEO SYSTEM		150		1.00	
FLASHER				0.50	
ENERGY COSTS TO:					TOTAL = 477.15

VILLAGE OF SKOKIE
5127 OAKTON STREET
SKOKIE, ILLINOIS 60077

ENERGY SUPPLY - CONTACT: TERRI BLECK
PHONE: (847) 816-5239
COMPANY: ComEd

SAM SCHWARTZ ENGINEERING
3100 N. HIGGINS, STE. 100, HOFFMAN ESTATES, IL 60169

DESIGNED - JAM	REVISED -
DRAWN - JAM	REVISED -
CHECKED - LMM	REVISED -
DATE - 12-13-13	REVISED -

STATE OF ILLINOIS DEPARTMENT OF TRANSPORTATION

SCHEDULE OF QUANTITIES, CABLE PLAN, PHASE DESIGNATION DIAGRAM, AND EMERGENCY VEHICLE PREEMPTION SEQUENCE, GOLF ROAD AT LAMON AVENUE

SCALE: NONE SHEET OF SHEETS STA. TO STA.

F.A. RTE.	SECTION	COUNTY	TOTAL SHEETS	SHEET NO.
VAR	2013-053TS	COOK	88	46
			CONTRACT NO.	60X28
[ILLINOIS] FED. AID PROJECT				