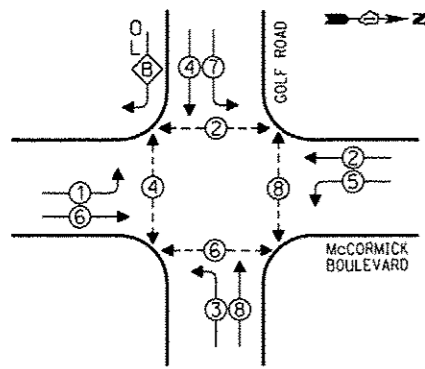


CONTROLLER SEQUENCE

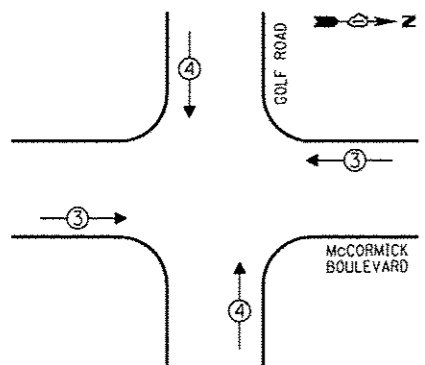


- LEGEND**
- SINGLE ENTRY PHASE
 - DUAL ENTRY PHASE
 - ◇ OVERLAP
 - ⊙ PEDESTRIAN PHASE
 - * NUMBER REFERS TO ASSOCIATED PHASE

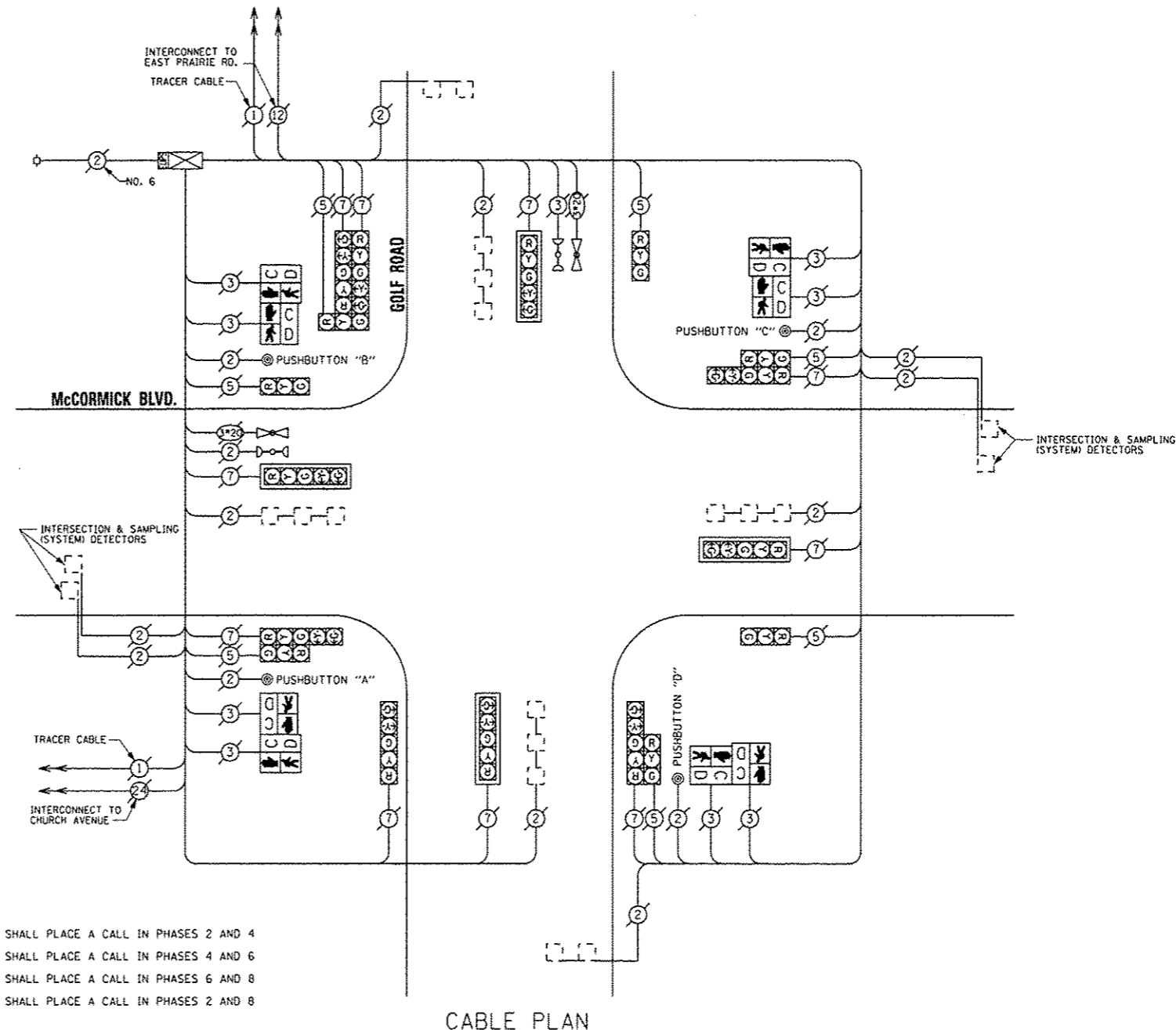
PHASE DESIGNATION DIAGRAM

OVERLAP LETTER	PERMISSIVE PHASE	PROTECTED PHASE
B	= 4	+ 5

EMERGENCY VEHICLE PREEMPTION SEQUENCE



EMERGENCY VEHICLE PREEMPTORS		
EMERGENCY VEHICLE PREEMPTOR	3	4
MOVEMENT	↔	↕



CABLE PLAN

NOTE:
 PUSHBUTTON "A" SHALL PLACE A CALL IN PHASES 2 AND 4
 PUSHBUTTON "B" SHALL PLACE A CALL IN PHASES 4 AND 6
 PUSHBUTTON "C" SHALL PLACE A CALL IN PHASES 6 AND 8
 PUSHBUTTON "D" SHALL PLACE A CALL IN PHASES 2 AND 8

THE TRAFFIC SIGNAL CONTROL EQUIPMENT FOR THIS PROJECT SHALL BE "ECONOLITE".

REMOVE EXISTING TRAFFIC SIGNAL EQUIPMENT

THE FOLLOWING ITEMS SHALL BE REMOVED BY THE CONTRACTOR AND SHALL BE DISPOSED OF BY THEM OUTSIDE THE RIGHT-OF-WAY AT THEIR EXPENSE. THE SALVAGE VALUE OF THE REMOVED EQUIPMENT SHALL BE REFLECTED IN THE CONTRACT BID PRICE.

QUAN.	UNIT	DESCRIPTION
4	EACH	PEDESTRIAN SIGNAL HEAD, 2-FACE
4	EACH	PEDESTRIAN PUSHBUTTON

SCHEDULE OF QUANTITIES

QUAN.	UNIT	ITEM
1	EACH	MAINTENANCE OF EXISTING TRAFFIC SIGNAL INSTALLATION
4	EACH	PEDESTRIAN SIGNAL HEAD, LED, 2-FACE, BRACKET MOUNTED WITH COUNTDOWN TIMER
1	EACH	REMOVE EXISTING TRAFFIC SIGNAL EQUIPMENT
4	EACH	PEDESTRIAN PUSH-BUTTON, NON-LATCHING

I.O.O.T. TRAFFIC SIGNAL INSTALLATION ELECTRICAL SERVICE REQUIREMENTS				TOTAL WATTAGE
TYPE	NO. OF LAMPS	INCAND.	LED % OPERATIONS	
SIGNAL (RED)	16		17 0.50	136.00
(YELLOW)	16		25 0.25	100.00
(GREEN)	16		15 0.25	60.00
ARROW	20		12 0.10	24.00
PED. SIGNAL	8		25 1.00	200.00
CONTROLLER	1		100 1.00	100.00
ILLUM. SIGN			25 0.05	
LUMINAIRE		250		0.50
VIDEO SYSTEM		150		1.00
FLASHER				0.50
ENERGY COSTS TO:			TOTAL =	620.00

VILLAGE OF SKOKIE
 5127 DAKTON STREET
 SKOKIE, ILLINOIS 60077

ENERGY SUPPLY - CONTACT: FERRI BLECK
 PHONE: (847) 816-5239
 COMPANY: ComEd



DESIGNED - JAM	REVISED -
DRAWN - JAM	REVISED -
CHECKED - LMM	REVISED -
DATE - 12-13-13	REVISED -

STATE OF ILLINOIS
 DEPARTMENT OF TRANSPORTATION

SCHEDULE OF QUANTITIES, CABLE PLAN, PHASE DESIGNATION
 DIAGRAM, AND EMERGENCY VEHICLE PREEMPTION SEQUENCE,
 GOLF ROAD AT McCORMICK BOULEVARD

SCALE: NONE SHEET OF SHEETS STA. TO STA.

F.A. RTE.	SECTION	COUNTY	TOTAL SHEETS	SHEET NO.
VAR	2013-053TS	COOK	88	47
			CONTRACT NO. 60X2B	
ILLINOIS FED. AID PROJECT				