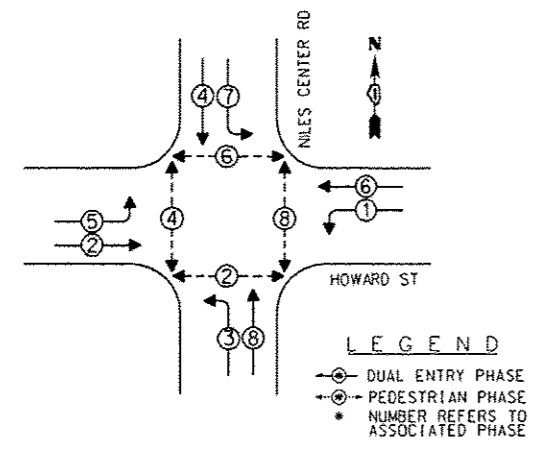
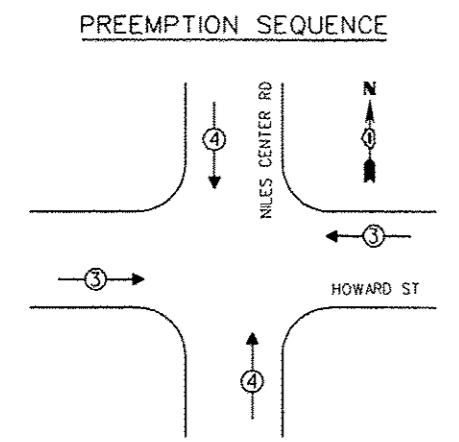


EXISTING CONTROLLER SEQUENCE



EXISTING PHASE DESIGNATION DIAGRAM

EXISTING EMERGENCY VEHICLE PREEMPTION SEQUENCE



EMERGENCY VEHICLE PREEMPTORS	
EMERGENCY VEHICLE PREEMPTOR	3 4
MOVEMENT	↔ ↑↓

RETROFIT ALL EXISTING TRAFFIC SIGNAL HEADS

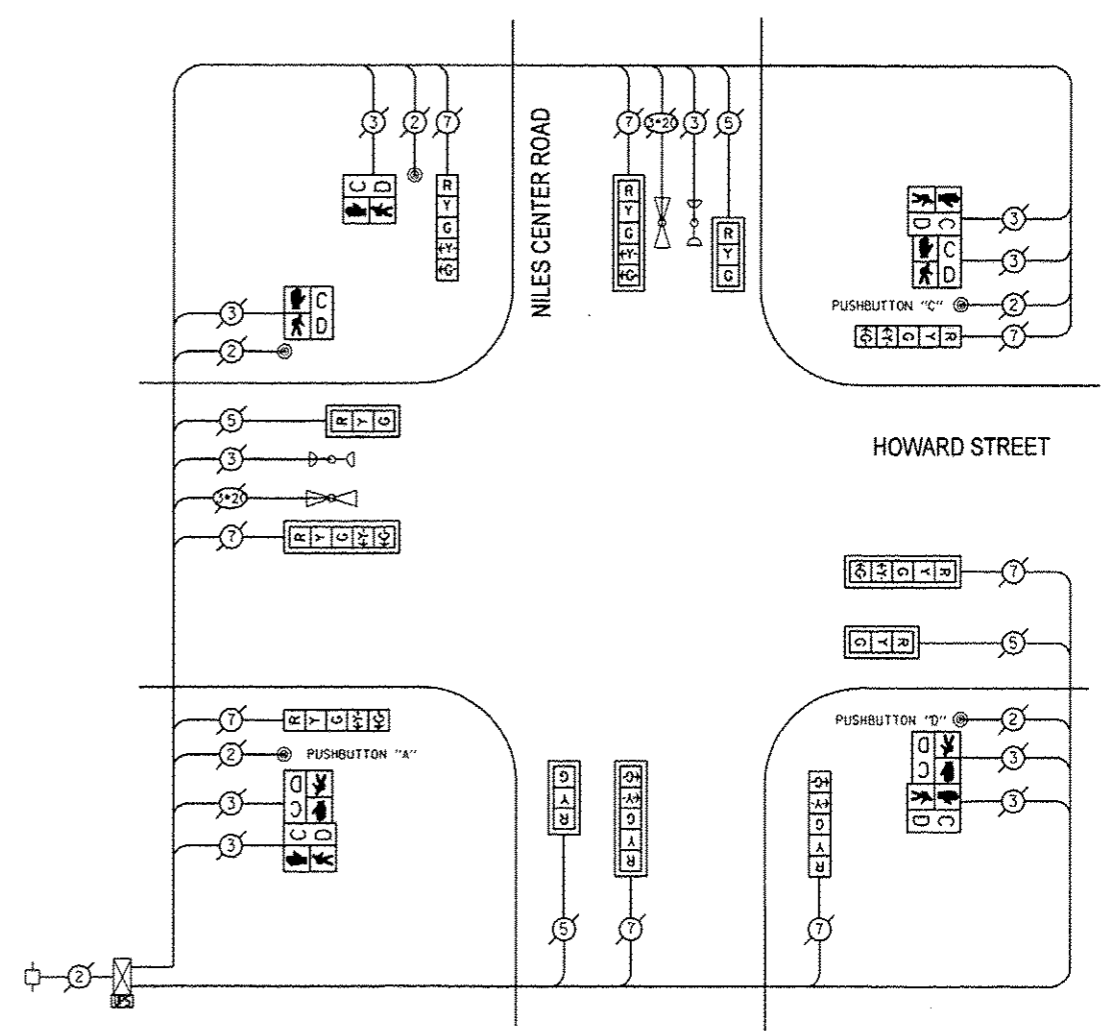
REMOVE EXISTING TRAFFIC SIGNAL EQUIPMENT

THE FOLLOWING ITEMS SHALL BE REMOVED BY THE CONTRACTOR AND SHALL BE DISPOSED OF BY THEM OUTSIDE THE RIGHT-OF-WAY AT THEIR EXPENSE. THE SALVAGE VALUE OF THE REMOVED EQUIPMENT SHALL BE REFLECTED IN THE CONTRACT BID PRICE.

QUANTITY	UNIT	DESCRIPTION
2	EACH	PEDESTRIAN SIGNAL HEAD, 1-FACE
3	EACH	PEDESTRIAN SIGNAL HEAD, 2-FACE
5	EACH	PEDESTRIAN PUSHBUTTON

SCHEDULE OF QUANTITIES

QUANTITY	UNIT	ITEM
1	EACH	MAINTENANCE OF EXISTING TRAFFIC SIGNAL INSTALLATION
2	EACH	PEDESTRIAN SIGNAL HEAD, LED, 1-FACE, BRACKET MOUNTED WITH COUNTDOWN TIMER
3	EACH	PEDESTRIAN SIGNAL HEAD, LED, 2-FACE, BRACKET MOUNTED WITH COUNTDOWN TIMER
1	EACH	MODIFY EXISTING CONTROLLER CABINET
1	EACH	REMOVE EXISTING TRAFFIC SIGNAL EQUIPMENT
1	EACH	UNINTERRUPTIBLE POWER SUPPLY, SPECIAL
4	EACH	SIGNAL HEAD, LED, 1-FACE, 3-SECTION, MAST ARM MOUNTED, RETROFIT
4	EACH	SIGNAL HEAD, LED, 1-FACE, 5-SECTION, MAST ARM MOUNTED, RETROFIT
4	EACH	SIGNAL HEAD, LED, 1-FACE, 5-SECTION, BRACKET MOUNTED, RETROFIT
5	EACH	PEDESTRIAN PUSH-BUTTON, NON LATCHING



CABLE PLAN

PUSHBUTTON "A" SHALL PLACE A CALL TO PHASES 2 & 4
 PUSHBUTTON "C" SHALL PLACE A CALL TO PHASES 6 & 8
 PUSHBUTTON "D" SHALL PLACE A CALL TO PHASES 2 & 8

THE TRAFFIC SIGNAL CONTROL EQUIPMENT FOR THIS SIGNAL SHALL BE "EAGLE" TO MATCH THE EXISTING ADJACENT SYSTEM.

FILE NAME: P:\2012\ME12014_P10162_10_Schwartz\CAAD\PH04_NorthCook_LED_6\Sheet\60X28-shc-TS-HowardSt-NilesCenterRd.dgn
 PLOT SCALE: 1/8" = 1'-0"
 USER NAME: Millennium Professional Services

I.D.O.T. TRAFFIC SIGNAL INSTALLATION ELECTRICAL SERVICE REQUIREMENTS				TOTAL WATTAGE
TYPE	NO. OF LAMPS	WATTAGE INCAND	LED % OPERATIONS	
SIGNAL (RED)	12	17	0.50	102.00
(YELLOW)	12	25	0.25	75.00
(GREEN)	12	15	0.25	45.00
ARROW	16	12	0.10	19.20
PED. SIGNAL	8	25	1.00	200.00
CONTROLLER	1	100	1.00	100.00
ILLUM. SIGN		0	0	0
VIDEO VEH. SENSOR		0	0	0
FLASHER		0	0	0
ENERGY COSTS TO:				TOTAL = 541.20

VILLAGE OF SKOKIE
 5127 OAKTON ST.
 SKOKIE, IL 60077

ENERGY SUPPLY - CONTACT: TERRIBLECK
 PHONE: (847) 816-5239
 COMPANY: ComEd

MILLENNIA PROFESSIONAL SERVICES
 2400 Warrenville Road, Suite 203, Downers Grove, IL 60515-1761
 630.705.0110 voice, 630.839.2566 fax
 www.mps-ll.com

DESIGNED - JNP	REVISED -
DRAWN - JNP	REVISED -
CHECKED - TVN	REVISED -
DATE - 12/9/2013	REVISED -

**STATE OF ILLINOIS
 DEPARTMENT OF TRANSPORTATION**

**SCHEDULE OF QUANTITIES, CABLE PLAN, PHASE DESIGNATION DIAGRAM,
 AND EMERGENCY VEHICLE PREEMPTION SEQUENCE
 HOWARD STREET AT NILES CENTER ROAD**

SCALE: N/A SHEET OF SHEETS STA. TO STA.

F.A.P. RTE. VAR	SECTION 2013-053TS	COUNTY COOK	TOTAL SHEETS 88	SHEET NO. 51
FED. ROAD DIST. NO. 1 [ILLINOIS] FED. AID PROJECT			CONTRACT NO. 60X28	