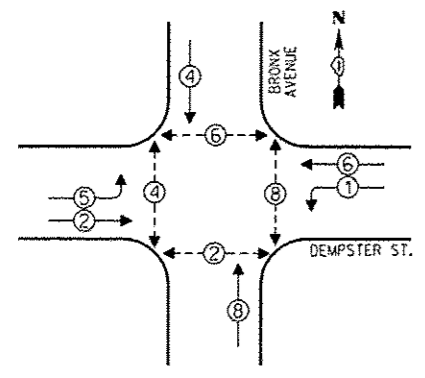




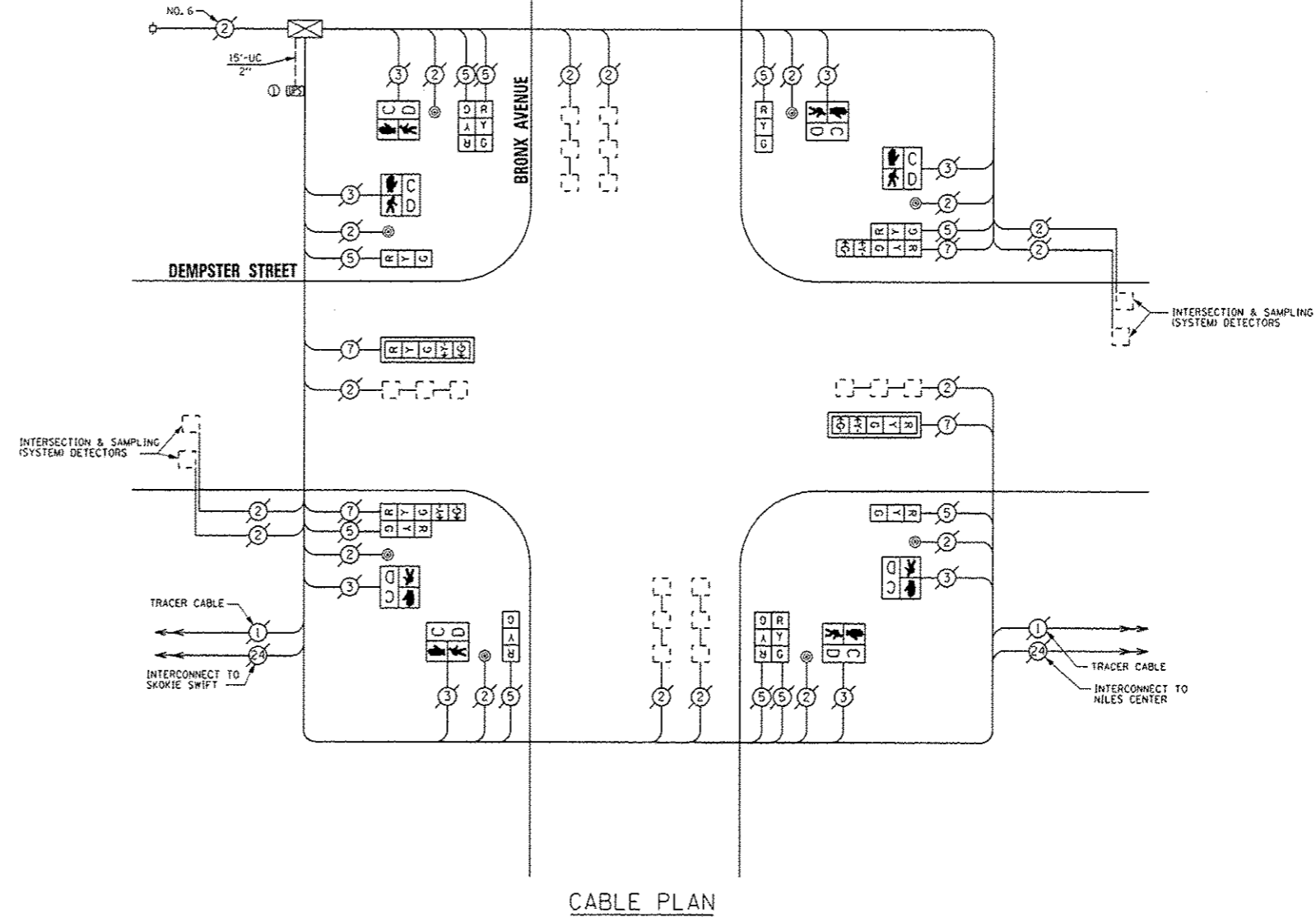
CONTROLLER SEQUENCE



LEGEND
 □○ SINGLE ENTRY PHASE
 ○○ DUAL ENTRY PHASE
 ◇ OVERLAP
 ○○ PEDESTRIAN PHASE
 • NUMBER REFERS TO ASSOCIATED PHASE

PHASE DESIGNATION DIAGRAM

CONSTRUCTION NOTE:
 THE UPS SHALL BE INSTALLED NEXT TO THE EXISTING CONTROLLER CABINET USING HELICAL GROUND ANCHORS DUE TO THE PHYSICAL CONSTRAINTS OR AS DIRECTED BY THE RESIDENT ENGINEER. THIS WORK AND ALL CONDUIT AND ELECTRICAL CABLE NEEDED TO PROPERLY INSTALL THE UPS SHALL BE INCLUDED IN THE PAY ITEM "UNINTERRUPTABLE POWER SUPPLY, GROUND MOUNTED". ALL RESTORATION SPECIFIED IN THE RESTORATION OF WORK AREA GENERAL NOTE SHALL BE CONSIDERED INCLUDED IN THE PAY ITEM "UNINTERRUPTABLE POWER SUPPLY, GROUND MOUNTED" AND NO ADDITIONAL COMPENSATION WILL BE PROVIDED.



CABLE PLAN

REPLACE ALL EXISTING TRAFFIC SIGNAL HEADS

THE TRAFFIC SIGNAL CONTROL EQUIPMENT FOR THIS PROJECT SHALL BE "ECONOLITE".

I.D.O.T. TRAFFIC SIGNAL INSTALLATION ELECTRICAL SERVICE REQUIREMENTS				TOTAL WATTAGE
TYPE	NO. OF LAMPS	INCAND	LED % OPERATIONS	
SIGNAL (RED)	14	17	0.50	119.00
(YELLOW)	14	25	0.25	87.50
(GREEN)	14	15	0.25	52.50
ARROW	8	12	0.10	9.60
PED. SIGNAL	8	25	1.00	200.00
CONTROLLER	1	100	1.00	100.00
ILLUM. SIGN		25	0.05	
LUMINAIRE		250	0.50	
VIDEO SYSTEM		150	1.00	
FLASHER			0.50	
ENERGY COSTS TO:				TOTAL = 588.60

VILLAGE OF SKOKIE
 5127 OAKTON STREET
 SKOKIE, ILLINOIS 60077

ENERGY SUPPLY - CONTACT: TERRI BLECK
 PHONE: (847) 816-5239
 COMPANY: COMEG

REMOVE EXISTING TRAFFIC SIGNAL EQUIPMENT
 THE FOLLOWING ITEMS SHALL BE REMOVED BY THE CONTRACTOR AND SHALL BE DISPOSED OF BY THEM OUTSIDE THE RIGHT-OF-WAY AT THEIR EXPENSE. THE SALVAGE VALUE OF THE REMOVED EQUIPMENT SHALL BE REFLECTED IN THE CONTRACT BID PRICE.

QUAN.	UNIT	DESCRIPTION
4	EACH	SIGNAL HEAD, 1-FACE, 3-SECTION
2	EACH	SIGNAL HEAD, 1-FACE, 5-SECTION
2	EACH	SIGNAL HEAD, 2-FACE, 3-SECTION
2	EACH	SIGNAL HEAD, LED, 2-FACE, 1-3 SECTION, 1-5 SECTION
8	EACH	PEDESTRIAN SIGNAL HEAD, 1-FACE
2	EACH	TRAFFIC SIGNAL BACKPLATE
8	EACH	PEDESTRIAN PUSHBUTTON

SCHEDULE OF QUANTITIES

QUAN.	UNIT	ITEM
1	EACH	MAINTENANCE OF EXISTING TRAFFIC SIGNAL INSTALLATION
4	EACH	SIGNAL HEAD, LED, 1-FACE, 3-SECTION, BRACKET MOUNTED
2	EACH	SIGNAL HEAD, LED, 1-FACE, 5-SECTION, MAST ARM MOUNTED
2	EACH	SIGNAL HEAD, LED, 2-FACE, 3-SECTION, BRACKET MOUNTED
2	EACH	SIGNAL HEAD, LED, 2-FACE, 1-3 SECTION, 1-5 SECTION, BRACKET MOUNTED
8	EACH	PEDESTRIAN SIGNAL HEAD, LED, 1-FACE, BRACKET MOUNTED WITH COUNTDOWN TIMER
2	EACH	TRAFFIC SIGNAL BACKPLATE, LOUVERED, ALUMINUM
8	EACH	PEDESTRIAN PUSH-BUTTON
1	EACH	MODIFY EXISTING CONTROLLER CABINET
1	EACH	REMOVE EXISTING TRAFFIC SIGNAL EQUIPMENT
1	EACH	UNINTERRUPTABLE POWER SUPPLY, GROUND MOUNTED

SAM SCHWARTZ ENGINEERING
 3100 W. HIGGINS, STE. 100, HOFFMAN ESTATES, IL 60169

DESIGNED - JAM	REVISED - 01-28-14
DRAWN - JAM	REVISED -
CHECKED - LMM	REVISED -
DATE - 12-13-13	REVISED -

STATE OF ILLINOIS
 DEPARTMENT OF TRANSPORTATION

SCHEDULE OF QUANTITIES, CABLE PLAN, PHASE DESIGNATION DIAGRAM, AND EMERGENCY VEHICLE PREEMPTION SEQUENCE, DEMPSTER STREET AT BRONX AVENUE

F.A. RTE.	SECTION	COUNTY	TOTAL SHEETS	SHEET NO.
VAR	2013-053TS	COOK	88	52
CONTRACT NO. 60X28			ILLINOIS FED. AID PROJECT	