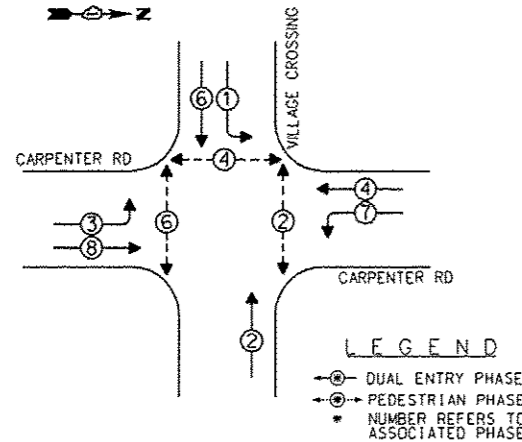


EXISTING CONTROLLER SEQUENCE



EXISTING PHASE DESIGNATION DIAGRAM

REPLACE ALL EXISTING TRAFFIC SIGNAL HEADS

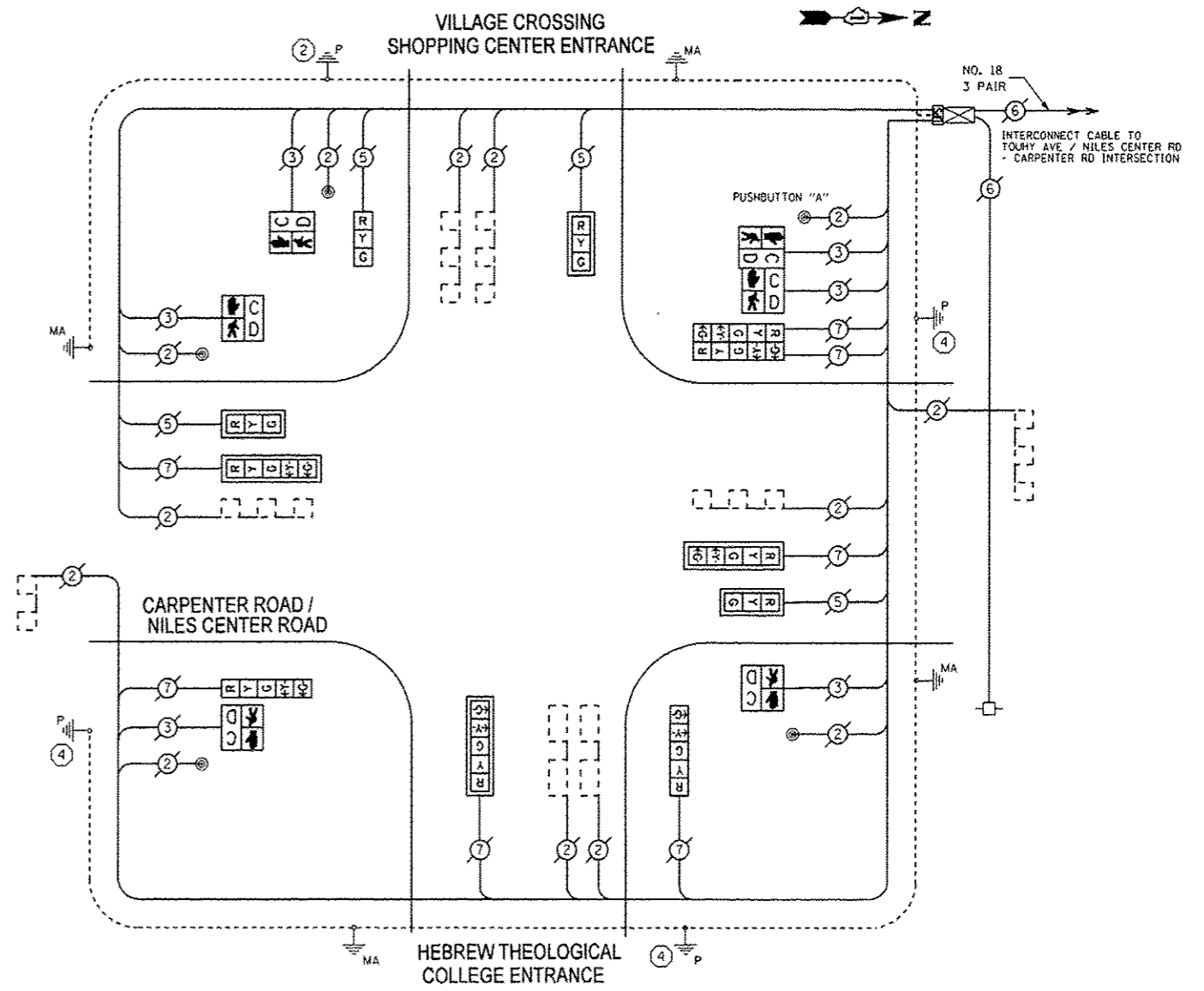
REMOVE EXISTING TRAFFIC SIGNAL EQUIPMENT

THE FOLLOWING ITEMS SHALL BE REMOVED BY THE CONTRACTOR AND SHALL BE DISPOSED OF BY THEM OUTSIDE THE RIGHT-OF-WAY AT THEIR EXPENSE. THE SALVAGE VALUE OF THE REMOVED EQUIPMENT SHALL BE REFLECTED IN THE CONTRACT BID PRICE.

QUANTITY	UNIT	DESCRIPTION
4	EACH	TRAFFIC SIGNAL POST
4	EACH	SIGNAL HEAD, 1-FACE, 3-SECTION
5	EACH	SIGNAL HEAD, 1-FACE, 5-SECTION
1	EACH	SIGNAL HEAD, 2-FACE, 5-SECTION
6	EACH	TRAFFIC SIGNAL BACKPLATE
4	EACH	PEDESTRIAN SIGNAL HEAD, 1-FACE
1	EACH	PEDESTRIAN SIGNAL HEAD, 2-FACE
5	EACH	PEDESTRIAN PUSHBUTTON

SCHEDULE OF QUANTITIES

QUANTITY	UNIT	ITEM
1	EACH	MAINTENANCE OF EXISTING TRAFFIC SIGNAL INSTALLATION
1	EACH	TRAFFIC SIGNAL POST, GALVANIZED STEEL 14 FT.
3	EACH	TRAFFIC SIGNAL POST, GALVANIZED STEEL 16 FT.
3	EACH	SIGNAL HEAD, LED, 1-FACE, 3-SECTION, MAST ARM MOUNTED
1	EACH	SIGNAL HEAD, LED, 1-FACE, 3-SECTION, BRACKET MOUNTED
2	EACH	SIGNAL HEAD, LED, 1-FACE, 5-SECTION, BRACKET MOUNTED
3	EACH	SIGNAL HEAD, LED, 1-FACE, 5-SECTION, MAST ARM MOUNTED
1	EACH	SIGNAL HEAD, LED, 2-FACE, 5-SECTION, BRACKET MOUNTED
4	EACH	PEDESTRIAN SIGNAL HEAD, LED, 1-FACE, BRACKET MOUNTED WITH COUNTDOWN TIMER
1	EACH	PEDESTRIAN SIGNAL HEAD, LED, 2-FACE, BRACKET MOUNTED WITH COUNTDOWN TIMER
6	EACH	TRAFFIC SIGNAL BACKPLATE, LOUVERED, ALUMINUM
1	EACH	MODIFY EXISTING CONTROLLER CABINET
1	EACH	REMOVE EXISTING TRAFFIC SIGNAL EQUIPMENT
1	EACH	UNINTERRUPTIBLE POWER SUPPLY, SPECIAL
5	EACH	PEDESTRIAN PUSH-BUTTON, NON LATCHING



CABLE PLAN

THE TRAFFIC SIGNAL CONTROL EQUIPMENT FOR THIS SIGNAL SHALL BE "EAGLE" TO MATCH THE EXISTING ADJACENT SYSTEM.

PUSHBUTTON "A" SHALL PLACE A CALL TO PHASES 2 & 4

LEGENDS

- ② REPLACE 14 FT. PAINTED POST, RE-USE EXISTING TYPE A CONCRETE FOUNDATION
- ④ REPLACE 16 FT. PAINTED POST, RE-USE EXISTING TYPE A CONCRETE FOUNDATION

FILE NAME: P:\2013\ME\2014_P\16162_18_Schwartz\CADD\PH04_NorhtCook_LED_6\Shots\60X28-sh1-TS-CarpenterRd_VillageCrossing.dgn
 USER: NAME: MILLENNIA PROFESSIONAL SERVICES
 DATE: 12/9/2013 10:03:28 AM

I.D.O.T. TRAFFIC SIGNAL INSTALLATION ELECTRICAL SERVICE REQUIREMENTS				TOTAL WATTAGE
TYPE	NO. OF LAMPS	WATTAGE INCAND	LED % OPERATIONS	
SIGNAL (RED)	11	17	0.50	93.50
(YELLOW)	11	25	0.25	68.75
(GREEN)	11	15	0.25	41.25
ARROW	14	12	0.10	16.80
PED. SIGNAL	6	25	1.00	150.00
CONTROLLER	1	100	1.00	100.00
ILLUM. SIGN		0	0	0
VIDEO VEH. SENSOR		0	0	0
FLASHER		0	0	0
ENERGY COSTS TO:				TOTAL = 470.30

ENERGY SUPPLY - CONTACT: TERRIBLECK
 PHONE: (847) 816-5239
 COMPANY: CbmEd

2600 Warrenville Road, Suite 203, Downers Grove, IL 60515-1761
 630.705.0110 voice, 630.839.2566 fax
 www.mps-ill.com

DESIGNED - JNP	REVISED -
DRAWN - JNP	REVISED -
CHECKED - TVN	REVISED -
DATE - 12/9/2013	REVISED -

STATE OF ILLINOIS
DEPARTMENT OF TRANSPORTATION

SCHEDULE OF QUANTITIES, CABLE PLAN, AND PHASE DESIGNATION DIAGRAM			
NILES CENTER RD/CARPENTER RD AT VILLAGE CROSSING SHOPPING CENTER			
SCALE: N/A	SHEET OF SHEETS	STA. TO STA.	

F.A.P. RTE.	SECTION	COUNTY	TOTAL SHEETS	SHEET NO.
VAR	2013-053T5	COOK	88	60

CONTRACT NO. 60X28
 FED. ROAD DIST. NO. 1 [ILLINOIS] FED. AID PROJECT