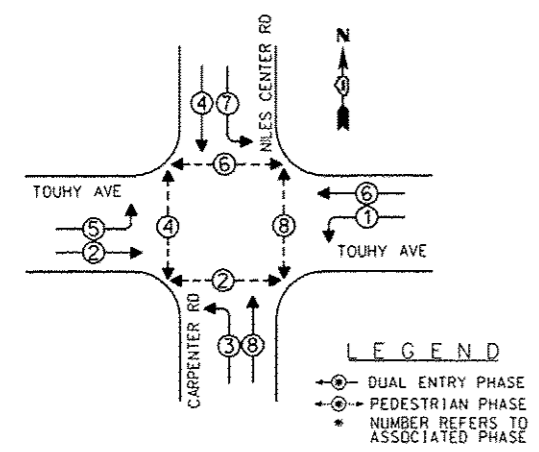


EXISTING CONTROLLER SEQUENCE



EXISTING PHASE DESIGNATION DIAGRAM

REPLACE ALL EXISTING TRAFFIC SIGNAL HEADS

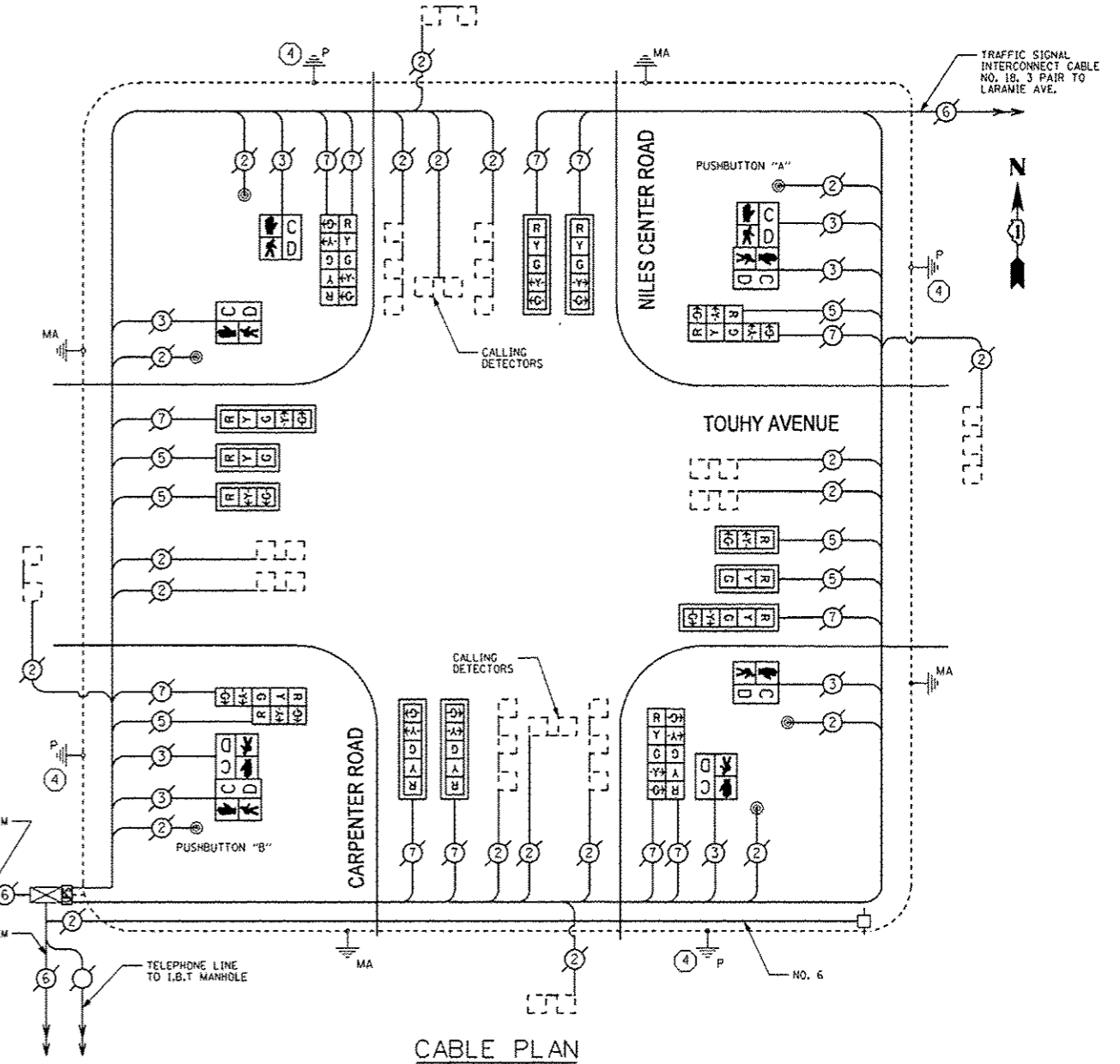
REMOVE EXISTING TRAFFIC SIGNAL EQUIPMENT

THE FOLLOWING ITEMS SHALL BE REMOVED BY THE CONTRACTOR AND SHALL BE DISPOSED OF BY THEM OUTSIDE THE RIGHT-OF-WAY AT THEIR EXPENSE. THE SALVAGE VALUE OF THE REMOVED EQUIPMENT SHALL BE REFLECTED IN THE CONTRACT BID PRICE.

QUANTITY	UNIT	DESCRIPTION
4	EACH	TRAFFIC SIGNAL POST
4	EACH	SIGNAL HEAD, 1-FACE, 3-SECTION
6	EACH	SIGNAL HEAD, 1-FACE, 5-SECTION
2	EACH	SIGNAL HEAD, 2-FACE, 1-3-SECTION, 1-5-SECTION
2	EACH	SIGNAL HEAD, 2-FACE, 5-SECTION
10	EACH	TRAFFIC SIGNAL BACKPLATE
4	EACH	PEDESTRIAN SIGNAL HEAD, 1-FACE
2	EACH	PEDESTRIAN SIGNAL HEAD, 2-FACE
6	EACH	PEDESTRIAN PUSHBUTTON

SCHEDULE OF QUANTITIES

QUANTITY	UNIT	ITEM
1	EACH	MAINTENANCE OF EXISTING TRAFFIC SIGNAL INSTALLATION
4	EACH	TRAFFIC SIGNAL POST, GALVANIZED STEEL 16 FT.
4	EACH	SIGNAL HEAD, LED, 1-FACE, 3-SECTION, MAST ARM MOUNTED
6	EACH	SIGNAL HEAD, LED, 1-FACE, 5-SECTION, MAST ARM MOUNTED
2	EACH	SIGNAL HEAD, LED, 2-FACE, 5-SECTION, BRACKET MOUNTED
2	EACH	SIGNAL HEAD, LED, 2-FACE, 1-3-SECTION, 1-5-SECTION, BRACKET MOUNTED
4	EACH	PEDESTRIAN SIGNAL HEAD, LED, 1-FACE, BRACKET MOUNTED WITH COUNTDOWN TIMER
2	EACH	PEDESTRIAN SIGNAL HEAD, LED, 2-FACE, BRACKET MOUNTED WITH COUNTDOWN TIMER
10	EACH	TRAFFIC SIGNAL BACKPLATE, LOUVERED, ALUMINUM
1	EACH	MODIFY EXISTING CONTROLLER CABINET
1	EACH	REMOVE EXISTING TRAFFIC SIGNAL EQUIPMENT
1	EACH	UNINTERRUPTIBLE POWER SUPPLY, SPECIAL
6	EACH	PEDESTRIAN PUSH-BUTTON, NON LATCHING



CABLE PLAN

PUSHBUTTON "A" SHALL PLACE A CALL TO PHASES 6 & 8
 PUSHBUTTON "B" SHALL PLACE A CALL TO PHASES 2 & 4

④ REPLACE 16 FT. PAINTED POST, RE-USE EXISTING TYPE A CONCRETE FOUNDATION

NOTES:
 THE PROGRAMMED HEADS WILL BE REPLACED WITH STANDARD LED HEADS.

THE TRAFFIC SIGNAL CONTROL EQUIPMENT FOR THIS SIGNAL SHALL BE "EAGLE" TO MATCH THE EXISTING ADJACENT SYSTEM.

FILE NAME: P:\2012\ME\2014\PTB162_10_Schwarz\CA00\PH04_NorthCook_LED_6\Shots\60X28-shr-TS-TouhyAve-NilesCenterRd-CarpenterRd.dgn
 PLOT SCALE: 1/8"=1'-0"
 USER: MJS
 MILLENIA PROFESSIONAL SERVICES

I.D.O.T. TRAFFIC SIGNAL INSTALLATION ELECTRICAL SERVICE REQUIREMENTS				TOTAL WATTAGE
TYPE	NO. OF LAMPS	WATTAGE INCAND	LED % OPERATIONS	
SIGNAL (RED)	18	17	0.50	153.00
(YELLOW)	18	25	0.25	112.50
(GREEN)	18	15	0.25	67.50
ARROW	24	12	0.10	28.80
PED. SIGNAL	8	25	1.00	200.00
CONTROLLER	1	100	1.00	100.00
ILLUM. SIGN		0	0	0
VIDEO VEH. SENSOR		0	0	0
FLASHER		0	0	0
ENERGY COSTS TO:				TOTAL =
VILLAGE OF SKOKIE 5127 OAKTON ST. SKOKIE, IL 60077				661.80
ENERGY SUPPLY - CONTACT: TERRIBLECK PHONE: (847) 816-5239 COMPANY: ComEd				

DESIGNED	JNP	REVISED	
DRAWN	JNP	REVISED	
CHECKED	TVN	REVISED	
DATE	12/5/2013	REVISED	

**STATE OF ILLINOIS
DEPARTMENT OF TRANSPORTATION**

**SCHEDULE OF QUANTITIES, CABLE PLAN,
AND PHASE DESIGNATION DIAGRAM
TOUHY AVENUE AT NILES CENTER ROAD /CARPENTER ROAD**

SCALE: N/A SHEET OF SHEETS STA. TO STA.

F.A.P. RTE.	SECTION	COUNTY	TOTAL SHEETS	SHEET NO.
VAR	2013-053TS	COOK	88	63
CONTRACT NO. 60X28				
FED. ROAD DIST. NO. 1 [ILLINOIS] FED. AID PROJECT				