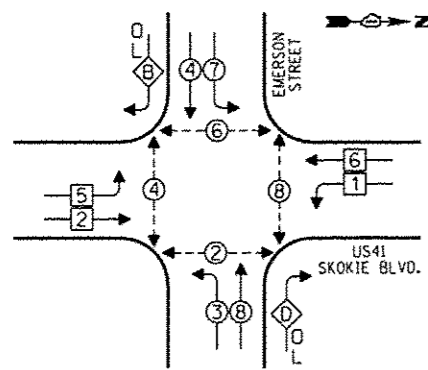


CONTROLLER SEQUENCE

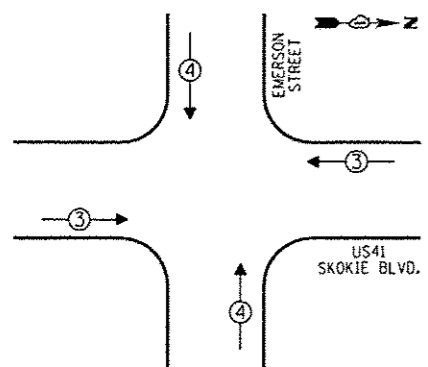


LEGEND
 [Symbol] SINGLE ENTRY PHASE
 [Symbol] DUAL ENTRY PHASE
 [Symbol] OVERLAP
 [Symbol] PEDESTRIAN PHASE
 [Symbol] NUMBER REFERS TO ASSOCIATED PHASE

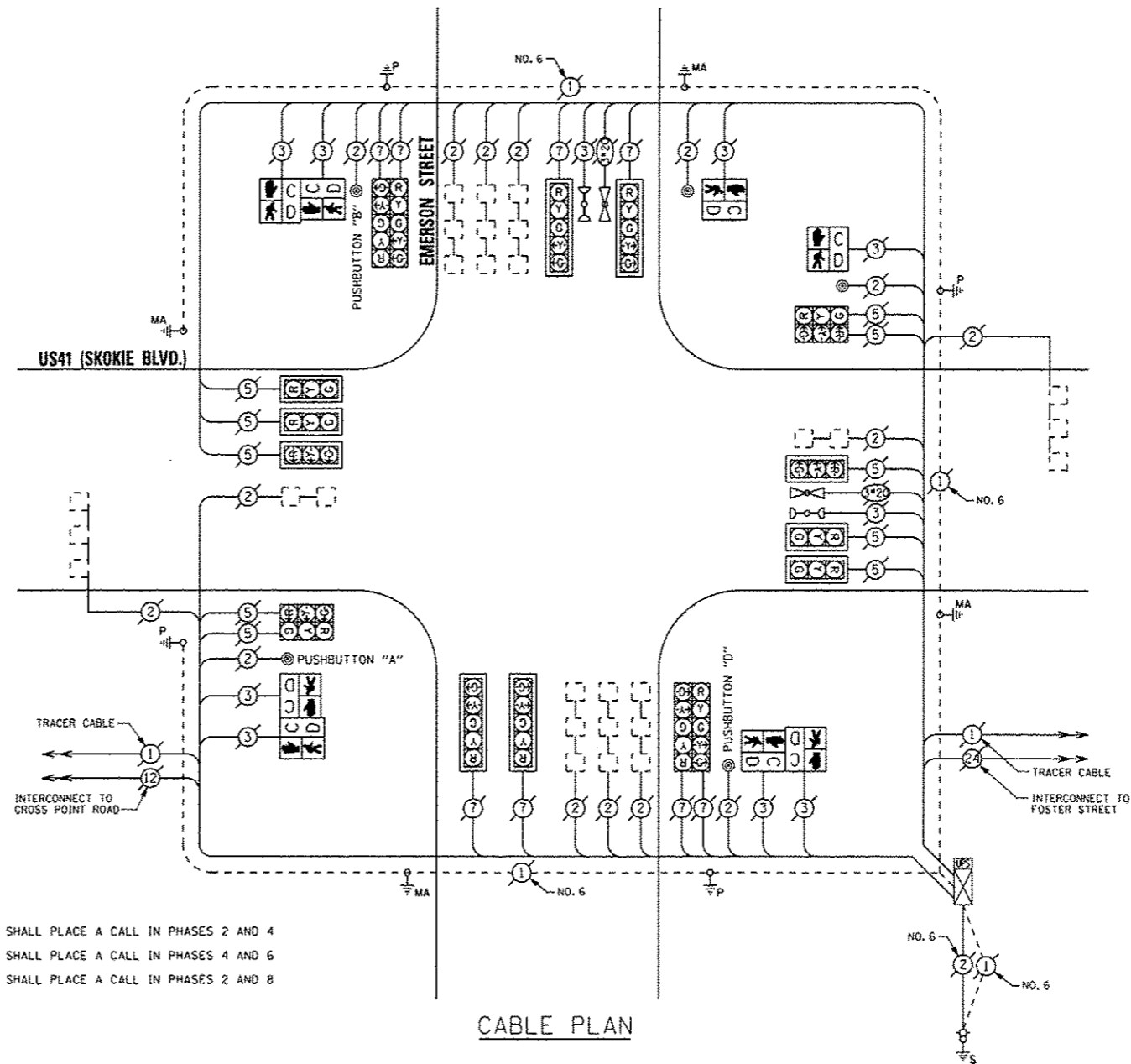
PHASE DESIGNATION DIAGRAM

OVERLAP LETTER	PERMISSIVE PHASE	PROTECTED PHASE
B	= 4	+ 5
D	= 8	+ 1

EMERGENCY VEHICLE PREEMPTION SEQUENCE



EMERGENCY VEHICLE PREEMPTORS		
EMERGENCY VEHICLE PREEMPTOR	3	4
MOVEMENT	↔	↕



NOTE:
 PUSHBUTTON "A" SHALL PLACE A CALL IN PHASES 2 AND 4
 PUSHBUTTON "B" SHALL PLACE A CALL IN PHASES 4 AND 6
 PUSHBUTTON "D" SHALL PLACE A CALL IN PHASES 2 AND 8

THE TRAFFIC SIGNAL CONTROL EQUIPMENT FOR THIS PROJECT SHALL BE "ECONOLITE".

REMOVE EXISTING TRAFFIC SIGNAL EQUIPMENT

THE FOLLOWING ITEMS SHALL BE REMOVED BY THE CONTRACTOR AND SHALL BE DISPOSED OF BY THEM OUTSIDE THE RIGHT-OF-WAY AT THEIR EXPENSE. THE SALVAGE VALUE OF THE REMOVED EQUIPMENT SHALL BE REFLECTED IN THE CONTRACT BID PRICE.

QUAN.	UNIT	DESCRIPTION
2	EACH	PEDESTRIAN SIGNAL HEAD, 1-FACE
3	EACH	PEDESTRIAN SIGNAL HEAD, 2-FACE
5	EACH	PEDESTRIAN PUSHBUTTON

SCHEDULE OF QUANTITIES

QUAN.	UNIT	ITEM
1	EACH	MAINTENANCE OF EXISTING TRAFFIC SIGNAL INSTALLATION
2	EACH	PEDESTRIAN SIGNAL HEAD, LED, 1-FACE, BRACKET MOUNTED WITH COUNTDOWN TIMER
3	EACH	PEDESTRIAN SIGNAL HEAD, LED, 2-FACE, BRACKET MOUNTED WITH COUNTDOWN TIMER
1	EACH	MODIFY EXISTING CONTROLLER CABINET
1	EACH	REMOVE EXISTING TRAFFIC SIGNAL EQUIPMENT
1	EACH	UNINTERRUPTIBLE POWER SUPPLY, SPECIAL
5	EACH	PEDESTRIAN PUSH-BUTTON, NON-LATCHING

I.D.O.T. TRAFFIC SIGNAL INSTALLATION ELECTRICAL SERVICE REQUIREMENTS					TOTAL WATTAGE
TYPE	NO. OF LAMPS	INCAND	LED %	OPERATIONS	
SIGNAL (RED)	18		17	0.50	153.00
(YELLOW)	18		25	0.25	112.50
(GREEN)	18		15	0.25	67.50
ARROW	16		12	0.10	19.20
PED. SIGNAL	8		25	1.00	200.00
CONTROLLER	1		100	1.00	100.00
ILLUM. STGN			25	0.05	
LUMINAIRE		250		0.50	
VIDEO SYSTEM		150		1.00	
FLASHER				0.50	
ENERGY COSTS TO:					TOTAL = 652.20

VILLAGE OF SKOKIE
 5127 OAKTON STREET
 SKOKIE, ILLINOIS 60077

ENERGY SUPPLY - CONTACT: TERRI BLECK
 PHONE: (847) 816-5239
 COMPANY: CorEd

SAM SCHWARTZ ENGINEERING
 3100 N. HIGGINS, STE. 100, HOFFMAN ESTATES, IL 60169

DESIGNED - JAM	REVISED -
DRAWN - JAM	REVISED -
CHECKED - LMM	REVISED -
DATE - 12-13-13	REVISED -

STATE OF ILLINOIS
 DEPARTMENT OF TRANSPORTATION

SCHEDULE OF QUANTITIES, CABLE PLAN, PHASE DESIGNATION DIAGRAM, AND EMERGENCY VEHICLE PREEMPTION SEQUENCE, US14 (SKOKIE BOULEVARD) AT EMERSON STREET

SCALE: NONE SHEET OF SHEETS STA. TO STA.

F.A. RTE.	SECTION	COUNTY	TOTAL SHEETS	SHEET NO.
VAR	2013-053TS	COOK	88	70
				CONTRACT NO. 60X28
[ILLINOIS] FED. AID PROJECT				