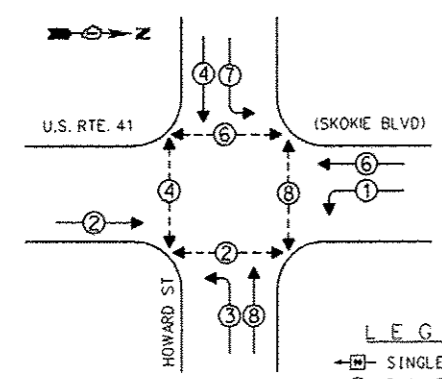


**EXISTING CONTROLLER SEQUENCE**



- LEGEND**
- SINGLE ENTRY PHASE
  - DUAL ENTRY PHASE
  - OVERLAP
  - PEDESTRIAN PHASE
  - \* NUMBER REFERS TO ASSOCIATED PHASE

RETROFIT ALL EXISTING TRAFFIC SIGNAL HEADS

**EXISTING PHASE DESIGNATION DIAGRAM**

DUAL ENTRY - ALL LEGS  
PROTECTED/PERMITTED LEFT TURN PHASING

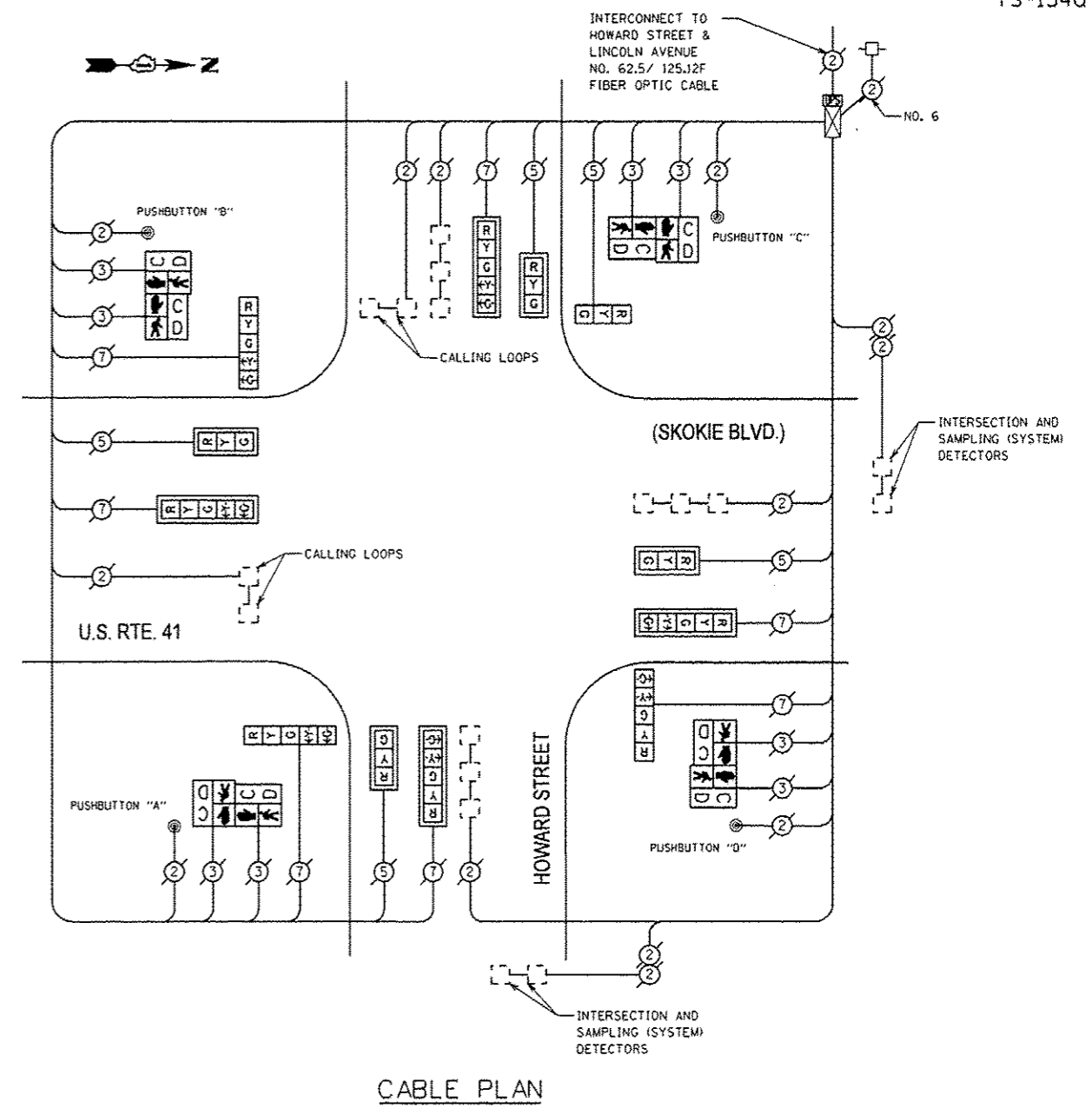
**REMOVE EXISTING TRAFFIC SIGNAL EQUIPMENT**

THE FOLLOWING ITEMS SHALL BE REMOVED BY THE CONTRACTOR AND SHALL BE DISPOSED OF BY THEM OUTSIDE THE RIGHT-OF-WAY AT THEIR EXPENSE. THE SALVAGE VALUE OF THE REMOVED EQUIPMENT SHALL BE REFLECTED IN THE CONTRACT BID PRICE.

QUANTITY	UNIT	DESCRIPTION
4	EACH	PEDESTRIAN SIGNAL HEAD, 2-FACE
4	EACH	PEDESTRIAN PUSHBUTTON

**SCHEDULE OF QUANTITIES**

QUANTITY	UNIT	ITEM
1	EACH	MAINTENANCE OF EXISTING TRAFFIC SIGNAL INSTALLATION
4	EACH	PEDESTRIAN SIGNAL HEAD, LED, 2-FACE, BRACKET MOUNTED WITH COUNTDOWN TIMER
1	EACH	MODIFY EXISTING CONTROLLER CABINET
1	EACH	REMOVE EXISTING TRAFFIC SIGNAL EQUIPMENT
1	EACH	UNINTERRUPTIBLE POWER SUPPLY, SPECIAL
1	EACH	SIGNAL HEAD, LED, 1-FACE, 3-SECTION, BRACKET MOUNTED, RETROFIT
5	EACH	SIGNAL HEAD, LED, 1-FACE, 3-SECTION, MAST ARM MOUNTED, RETROFIT
3	EACH	SIGNAL HEAD, LED, 1-FACE, 5-SECTION, MAST ARM MOUNTED, RETROFIT
3	EACH	SIGNAL HEAD, LED, 1-FACE, 5-SECTION, BRACKET MOUNTED, RETROFIT
4	EACH	PEDESTRIAN PUSH-BUTTON, NON LATCHING



**CABLE PLAN**

PUSHBUTTON "A" SHALL PLACE A CALL TO PHASES 2 & 4  
 PUSHBUTTON "B" SHALL PLACE A CALL TO PHASES 4 & 8  
 PUSHBUTTON "C" SHALL PLACE A CALL TO PHASES 6 & 8  
 PUSHBUTTON "D" SHALL PLACE A CALL TO PHASES 2 & 8

THE TRAFFIC SIGNAL CONTROL EQUIPMENT FOR THIS SIGNAL SHALL BE "EAGLE" TO MATCH THE EXISTING ADJACENT SYSTEM.

FILE NAME: P:\2012\12\14\1214\_P1B162.JB.Schaefer\2\CAD\DWG\44-Nor-D\Cook-LED.B\5\5\13\60X28-INT-TS-US 41-Skokie\Hy-Howard\51.dgn  
 PLOT SCALE: 1/8" = 1'-0"  
 USER NAME: J. Millenno

**I.D.O.T. TRAFFIC SIGNAL INSTALLATION ELECTRICAL SERVICE REQUIREMENTS**

TYPE	NO. OF LAMPS	WATTAGE INCAND	LED % OPERATIONS	TOTAL WATTAGE
SIGNAL (RED)	12	17	0.50	102.00
(YELLOW)	12	25	0.25	75.00
(GREEN)	12	15	0.25	45.00
ARROW	12	12	0.19	14.40
PEDESTRIAN SIGNAL	8	25	1.00	200.00
CONTROLLER	1	100	1.00	100.00
ILLUM. SIGN		0	0	0
VIDEO VEH. SENSOR		0	0	0
FLASHER		0	0	0
ENERGY COSTS TO:				TOTAL = 536.40

VILLAGE OF SKOKIE  
5127 DAKTON ST.  
SKOKIE, IL 60077

ENERGY SUPPLY - CONTACT: TERRIBLECK  
PHONE: (847) 816-5239  
COMPANY: ComEd

2600 Warrickville Road, Suite 203, Downers Grove, IL 60515-1761  
 630.705.0110 voice, 630.839.2566 fax  
 www.mps-ll.com

**MILLENNIA PROFESSIONAL SERVICES**

DESIGNED - JNP	REVISED -
DRAWN - JNP	REVISED -
CHECKED - TVN	REVISED -
DATE - 12/9/2013	REVISED -

**STATE OF ILLINOIS  
DEPARTMENT OF TRANSPORTATION**

**SCHEDULE OF QUANTITIES, CABLE PLAN, AND PHASE DESIGNATION DIAGRAM**  
**US ROUTE 41 (SKOKIE BOULEVARD) AT HOWARD STREET**

SCALE: N/A SHEET OF SHEETS STA. TO STA.

F.A.P. RTE.	SECTION	COUNTY	TOTAL SHEETS	SHEET NO.
VAR	2013-053TS	COOK	88	71
CONTRACT NO. 60X28			FED. ROAD DIST. NO. 1 ILLINOIS FED. AID PROJECT	