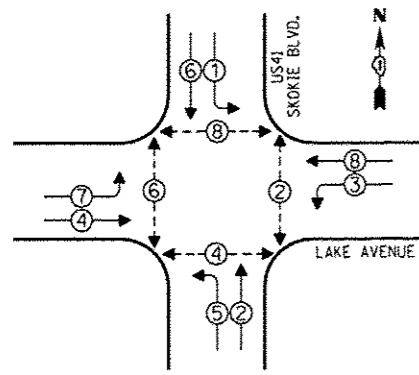
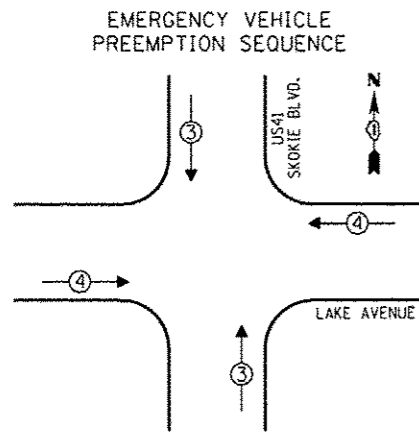


CONTROLLER SEQUENCE



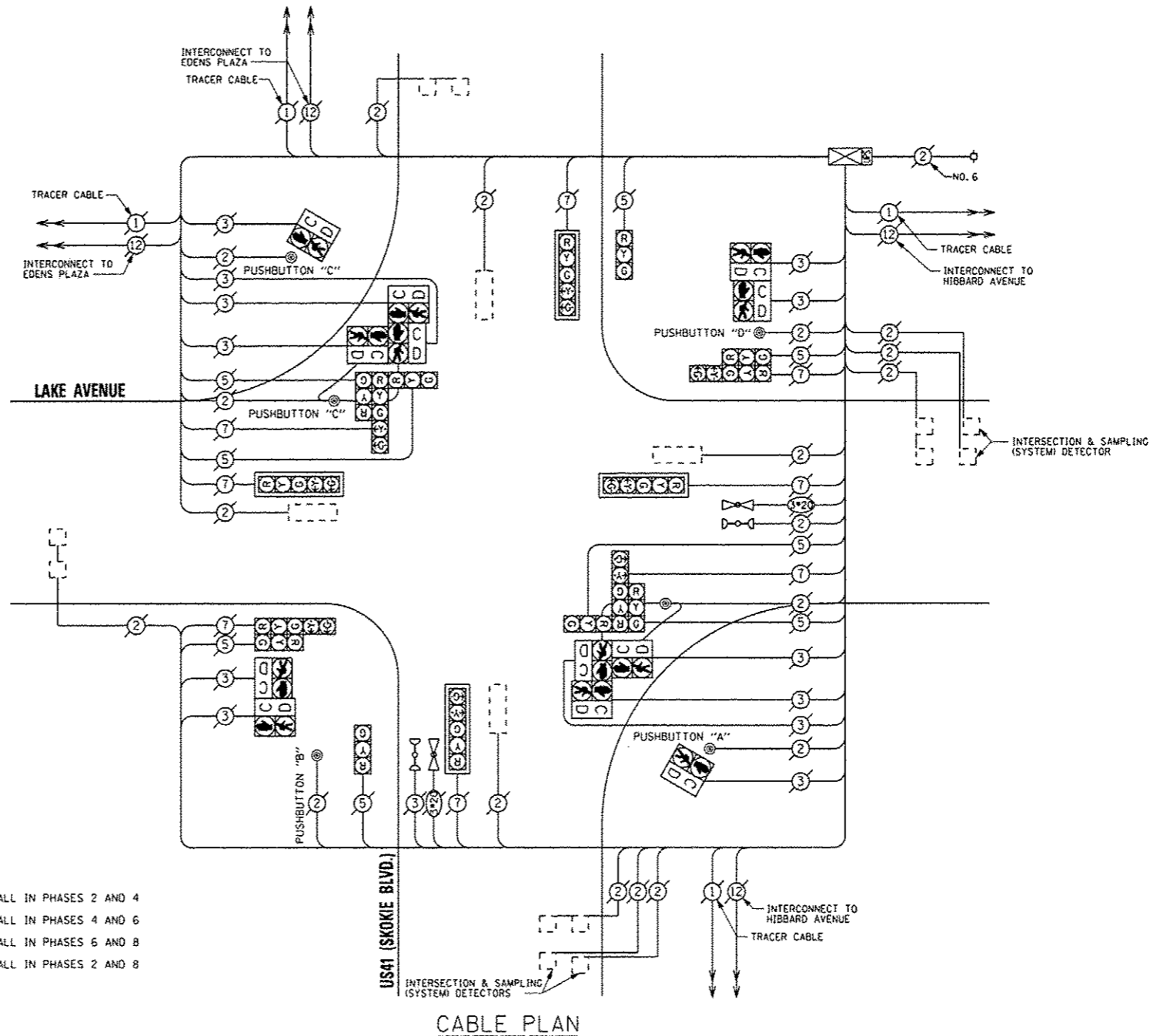
- LEGEND**
- SINGLE ENTRY PHASE
 - DUAL ENTRY PHASE
 - OVERLAP
 - PEDESTRIAN PHASE
 - NUMBER REFERS TO ASSOCIATED PHASE

PHASE DESIGNATION DIAGRAM



| EMERGENCY VEHICLE PREEMPTORS | | |
|------------------------------|---|---|
| EMERGENCY VEHICLE PREEMPTOR | 3 | 4 |
| MOVEMENT | ↑ | ↔ |

NOTE:
 PUSHBUTTON "A" SHALL PLACE A CALL IN PHASES 2 AND 4
 PUSHBUTTON "B" SHALL PLACE A CALL IN PHASES 4 AND 6
 PUSHBUTTON "C" SHALL PLACE A CALL IN PHASES 6 AND 8
 PUSHBUTTON "D" SHALL PLACE A CALL IN PHASES 2 AND 8



THE TRAFFIC SIGNAL CONTROL EQUIPMENT FOR THIS PROJECT SHALL BE "ECONOLITE".

REMOVE EXISTING TRAFFIC SIGNAL EQUIPMENT

THE FOLLOWING ITEMS SHALL BE REMOVED BY THE CONTRACTOR AND SHALL BE DISPOSED OF BY THEM OUTSIDE THE RIGHT-OF-WAY AT THEIR EXPENSE. THE SALVAGE VALUE OF THE REMOVED EQUIPMENT SHALL BE REFLECTED IN THE CONTRACT BID PRICE.

| QUAN. | UNIT | DESCRIPTION |
|-------|------|-----------------------|
| 6 | EACH | PEDESTRIAN PUSHBUTTON |

SCHEDULE OF QUANTITIES

| QUAN. | UNIT | ITEM |
|-------|------|-----------------------------------------------------|
| 1 | EACH | MAINTENANCE OF EXISTING TRAFFIC SIGNAL INSTALLATION |
| 1 | EACH | MODIFY EXISTING CONTROLLER CABINET |
| 1 | EACH | REMOVE EXISTING TRAFFIC SIGNAL EQUIPMENT |
| 1 | EACH | UNINTERRUPTIBLE POWER SUPPLY, SPECIAL |
| 6 | EACH | PEDESTRIAN PUSH-BUTTON, NON-LATCHING |

| I.D.O.T. TRAFFIC SIGNAL INSTALLATION ELECTRICAL SERVICE REQUIREMENTS | | | | | TOTAL WATTAGE |
|----------------------------------------------------------------------|--------------|---------|------------------|---------|----------------|
| TYPE | NO. OF LAMPS | INCAND. | LED % OPERATIONS | WATTAGE | |
| SIGNAL (RED) | 16 | | 17 | 0.50 | 136.00 |
| (YELLOW) | 16 | | 25 | 0.25 | 100.00 |
| (GREEN) | 16 | | 15 | 0.25 | 60.00 |
| ARROW | 16 | | 12 | 0.10 | 19.20 |
| PED. SIGNAL | 12 | | 25 | 1.00 | 300.00 |
| CONTROLLER | 1 | | 100 | 1.00 | 100.00 |
| ILLUM. SIGN | | | 25 | 0.05 | |
| LUMINAIRE | | 250 | | 0.50 | |
| VIDEO SYSTEM | | 150 | | 1.00 | |
| FLASHER | | | | 0.50 | |
| ENERGY COSTS TO: | | | | | TOTAL = 715.20 |

VILLAGE OF WILMETTE
 1200 WILMETTE AVENUE
 WILMETTE, ILLINOIS 60091

ENERGY SUPPLY - CONTACT: TERRI BLECK
 PHONE: (847) 816-5239
 COMPANY: ComEd



| | |
|-----------------|-----------|
| DESIGNED - JAM | REVISED - |
| DRAWN - JAM | REVISED - |
| CHECKED - LMM | REVISED - |
| DATE - 12-13-13 | REVISED - |

STATE OF ILLINOIS
 DEPARTMENT OF TRANSPORTATION

SCHEDULE OF QUANTITIES, CABLE PLAN, PHASE DESIGNATION DIAGRAM, AND EMERGENCY VEHICLE PREEMPTION SEQUENCE, US41 (SKOKIE BOULEVARD) AT LAKE AVENUE

SCALE: NONE SHEET OF SHEETS STA. TO STA.

| F.A. RTE. | SECTION | COUNTY | TOTAL SHEETS | SHEET NO. |
|---------------------------|------------|--------|--------------------|-----------|
| VAR | 2013-053TS | COOK | 88 | 73 |
| | | | CONTRACT NO. 60X28 | |
| ILLINOIS FED. AID PROJECT | | | | |