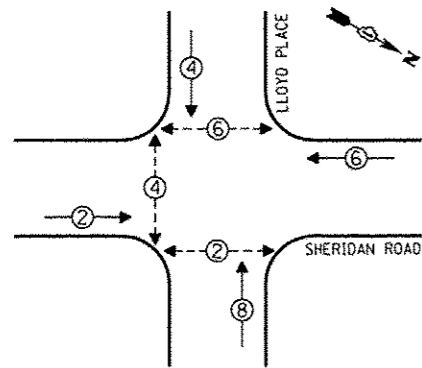


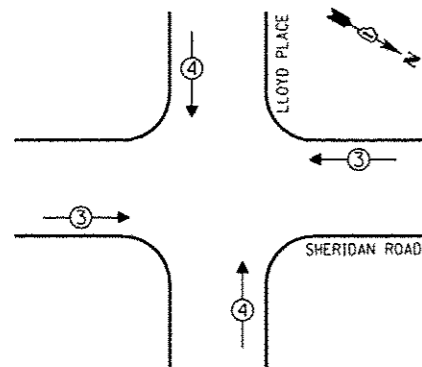
CONTROLLER SEQUENCE



PHASE DESIGNATION DIAGRAM

- LEGEND**
- SINGLE ENTRY PHASE
 - DUAL ENTRY PHASE
 - OVERLAP
 - PEDESTRIAN PHASE
 - NUMBER REFERS TO ASSOCIATED PHASE

EMERGENCY VEHICLE PREEMPTION SEQUENCE



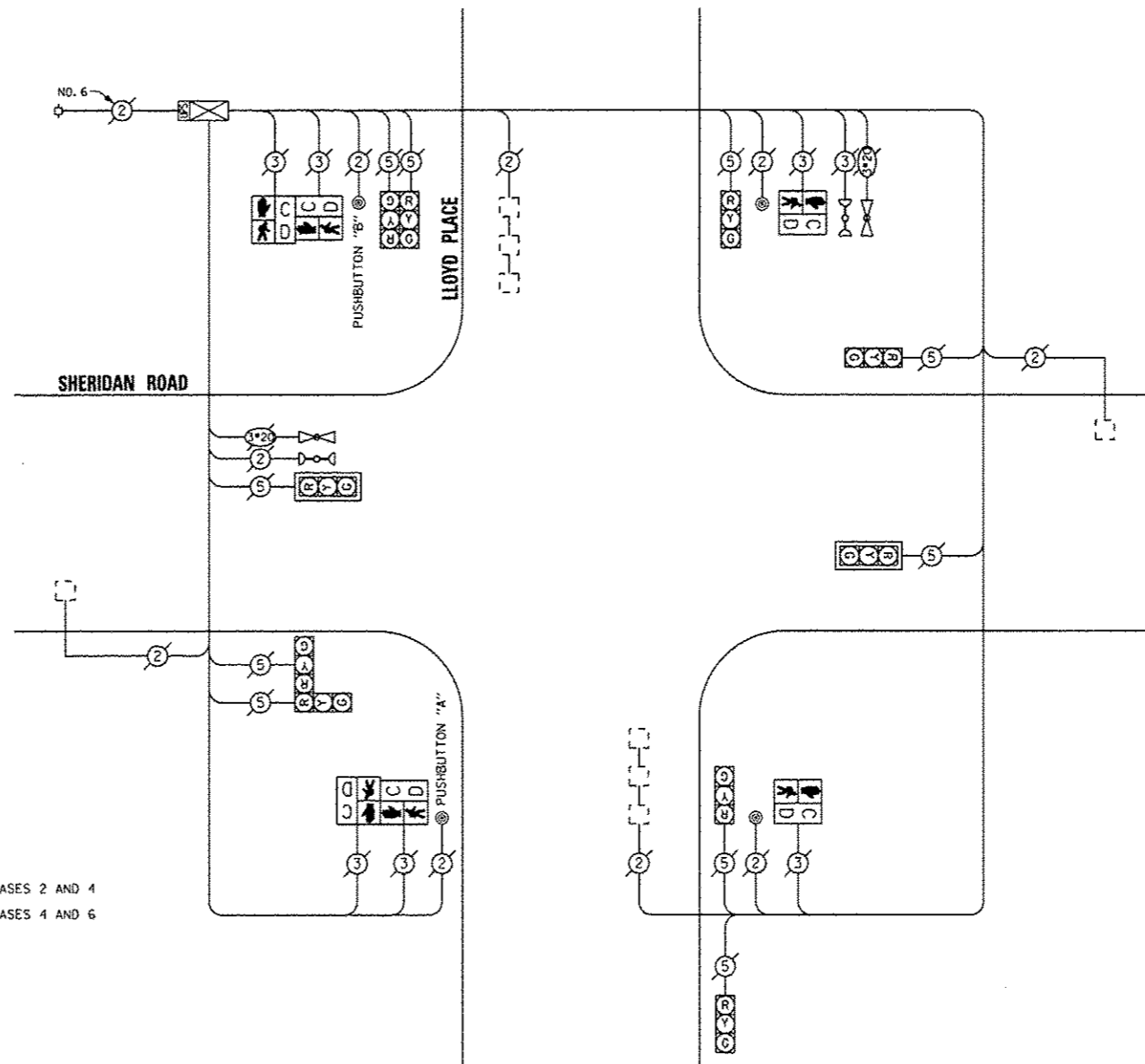
EMERGENCY VEHICLE PREEMPTORS		
EMERGENCY VEHICLE PREEMPTOR	3	4
MOVEMENT	↔	↕

I.D.O.T. TRAFFIC SIGNAL INSTALLATION ELECTRICAL SERVICE REQUIREMENTS					TOTAL WATTAGE
TYPE	NO. OF LAMPS	INCAND	LED	% OPERATIONS	
SIGNAL (RED)	10		17	0.50	85.00
(YELLOW)	10		25	0.25	62.50
(GREEN)	10		15	0.25	37.50
ARROW			12	0.10	
PEO. SIGNAL	6		25	1.00	150.00
CONTROLLER	1		100	1.00	100.00
ILLUM. SIGN			25	0.05	
LUMINAIRE		250		0.50	
VIDEO SYSTEM		150		1.00	
FLASHER				0.50	
ENERGY COSTS TO:					TOTAL = 435.00

VILLAGE OF WINNETKA
510 GREEN BAY ROAD
WINNETKA, ILLINOIS 60093

ENERGY SUPPLY - CONTACT: FERRI BLECK
PHONE: (847) 816-5239
COMPANY: ComEd

NOTE:
PUSHBUTTON "A" SHALL PLACE A CALL IN PHASES 2 AND 4
PUSHBUTTON "B" SHALL PLACE A CALL IN PHASES 4 AND 6



CABLE PLAN

THE TRAFFIC SIGNAL CONTROL EQUIPMENT FOR THIS PROJECT SHALL BE "EAGLE".

REMOVE EXISTING TRAFFIC SIGNAL EQUIPMENT

THE FOLLOWING ITEMS SHALL BE REMOVED BY THE CONTRACTOR AND SHALL BE DISPOSED OF BY THEM OUTSIDE THE RIGHT-OF-WAY AT THEIR EXPENSE. THE SALVAGE VALUE OF THE REMOVED EQUIPMENT SHALL BE REFLECTED IN THE CONTRACT BID PRICE.

QUAN.	UNIT	DESCRIPTION
2	EACH	PEDESTRIAN SIGNAL HEAD, 1-FACE
2	EACH	PEDESTRIAN SIGNAL HEAD, 2-FACE
4	EACH	PEDESTRIAN PUSHBUTTON

SCHEDULE OF QUANTITIES

QUAN.	UNIT	ITEM
1	EACH	MAINTENANCE OF EXISTING TRAFFIC SIGNAL INSTALLATION
2	EACH	PEDESTRIAN SIGNAL HEAD, LED, 1-FACE, BRACKET MOUNTED WITH COUNTDOWN TIMER
2	EACH	PEDESTRIAN SIGNAL HEAD, LED, 2-FACE, BRACKET MOUNTED WITH COUNTDOWN TIMER
1	EACH	MODIFY EXISTING CONTROLLER CABINET
1	EACH	REMOVE EXISTING TRAFFIC SIGNAL EQUIPMENT
1	EACH	UNINTERRUPTIBLE POWER SUPPLY, SPECIAL
4	EACH	PEDESTRIAN PUSH-BUTTON, NON-LATCHING



DESIGNED - JAM	REVISED -
DRAWN - JAM	REVISED -
CHECKED - LMM	REVISED -
DATE - 12-13-13	REVISED -

STATE OF ILLINOIS
DEPARTMENT OF TRANSPORTATION

SCHEDULE OF QUANTITIES, CABLE PLAN, PHASE DESIGNATION
DIAGRAM, AND EMERGENCY VEHICLE PREEMPTION SEQUENCE,
SHERIDAN ROAD AT LLOYD PLACE

F.A. RTE.	SECTION	COUNTY	TOTAL SHEETS	SHEET NO.
VAR	2013-053TS	COOK	88	86

CONTRACT NO. 60X28
ILLINOIS FED. AID PROJECT

SCALE: NONE SHEET OF SHEETS STA. TO STA.