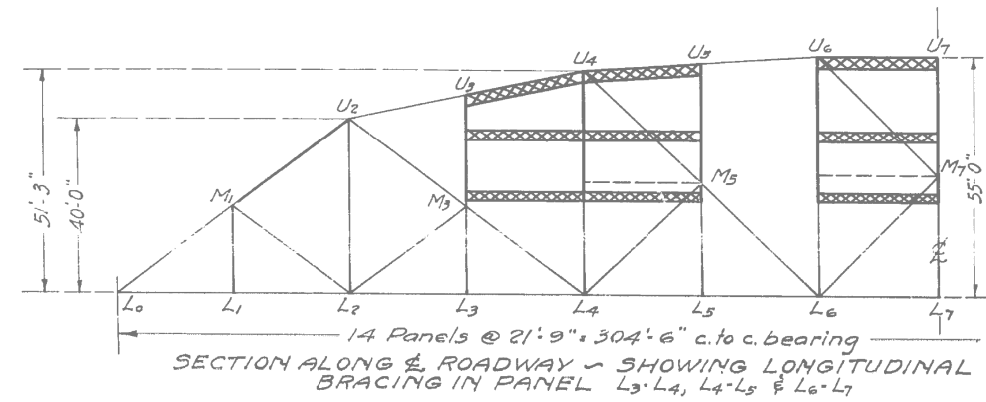
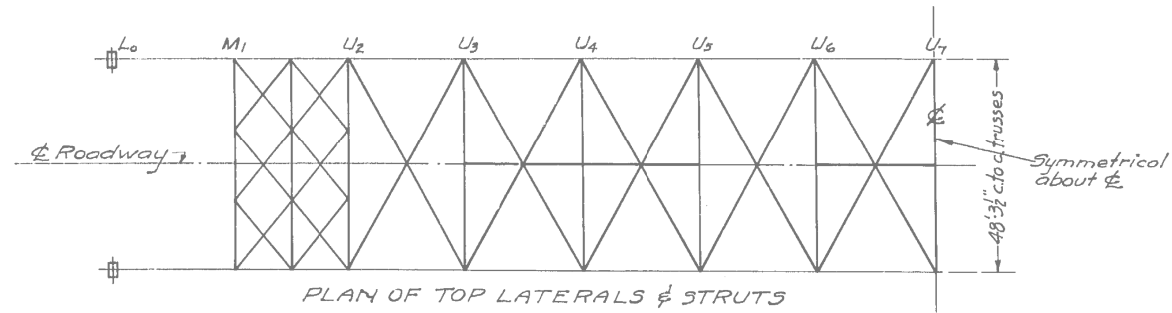
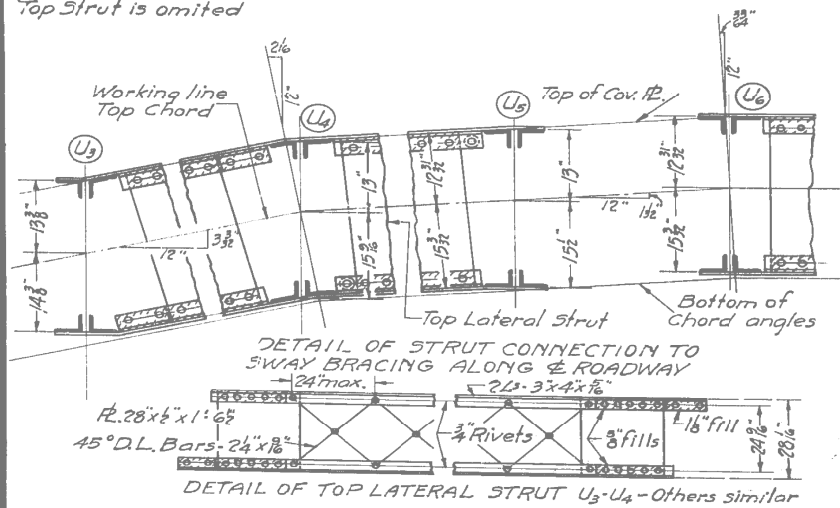
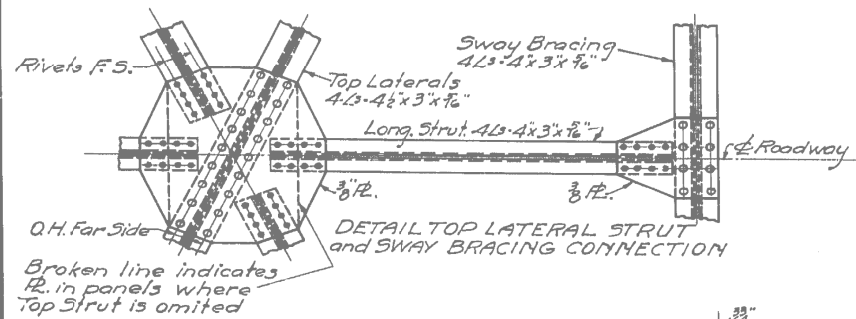


STATE OF ILLINOIS
DEPARTMENT OF PUBLIC WORKS & BUILDINGS
DIVISION OF HIGHWAYS



AREA TO BE PAINTED



SPAN 3
CALUMET SAG CHANNEL
S.B.I. ROUTE 54 - SECTION 545-B.F.E. - 1-5
COOK COUNTY
STA. 808 + 59.95

FILE NAME : c:\pwwork\pwwork\pyrzenowskirb\d037204	USER NAME : pyrzenowskirb	DESIGNED - DRAWN -	REVISED - REVISED -	STATE OF ILLINOIS DEPARTMENT OF TRANSPORTATION	TRUSS DETAILS (SN 016-0427) IL 83 (KINGERY HWY) OVER CAL SAG CHANNEL	F.A.P. RTE.	SECTION	COUNTY	TOTAL SHEETS	SHEET NO.
Default	PLOT SCALE = 100.0000' / 1 in.	CHECKED - DATE -	REVISED - REVISED -			344	545B-5-BP	COOK	24	8
					SCALE:	SHEET	OF	SHEETS	STA.	TO STA.
					ILLINOIS FED. AID PROJECT					