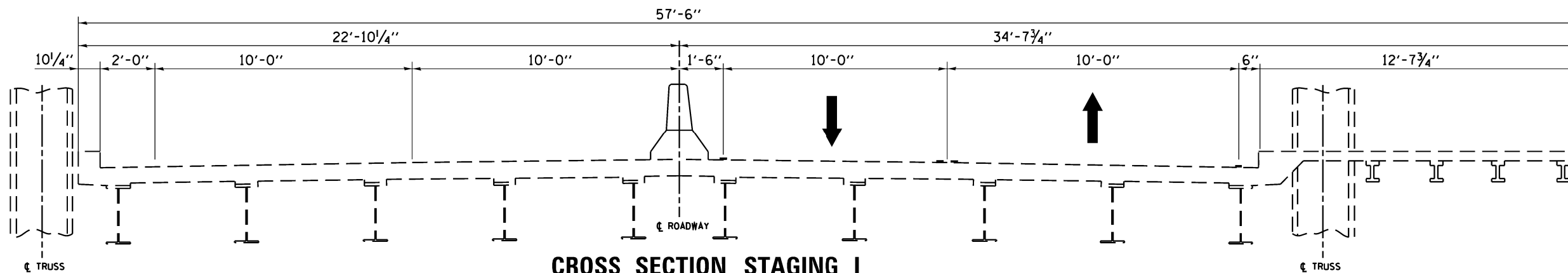
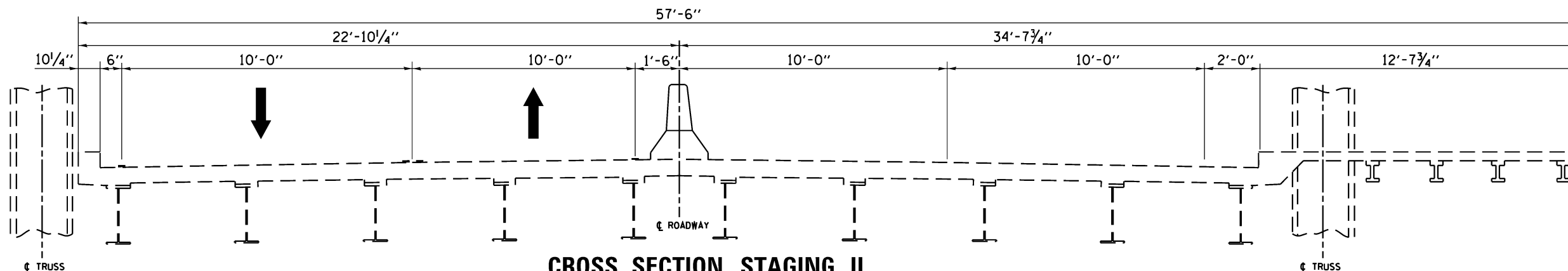


CROSS SECTION
(LOOKING SOUTH)



CROSS SECTION STAGING I
(LOOKING SOUTH)



CROSS SECTION STAGING II
(LOOKING SOUTH)

FILE NAME =	USER NAME = pyrzenowskirb	DESIGNED -	REVISED -	STATE OF ILLINOIS DEPARTMENT OF TRANSPORTATION	TRAFFIC CONTROL CROSS SECTIONS IL 83 OVER CAL SAG CHANNEL (SN 016-0427)			F.A.P. RTE.	SECTION	COUNTY	TOTAL SHEETS	SHEET NO.
ct:\pwork\pwork\pyrzenowskirb\037204	ND115314-sht-plan.dgn	DRAWN -	REVISED -					344	545B-5-BP	COOK	24	14
Default	PLOT SCALE = 100.0000' / in.	CHECKED -	REVISED -		CONTRACT NO. 60X63			ILLINOIS FED. AID PROJECT				
	PLOT DATE = 2/6/2014	DATE -	REVISED -		SCALE:	SHEET	OF	SHEETS	STA.	TO	STA.	