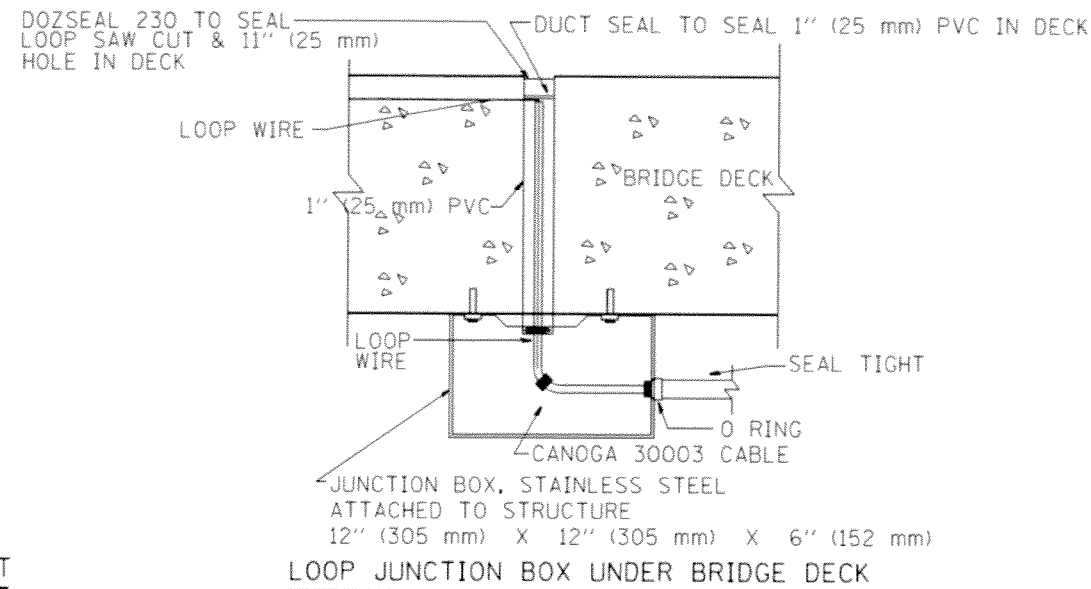
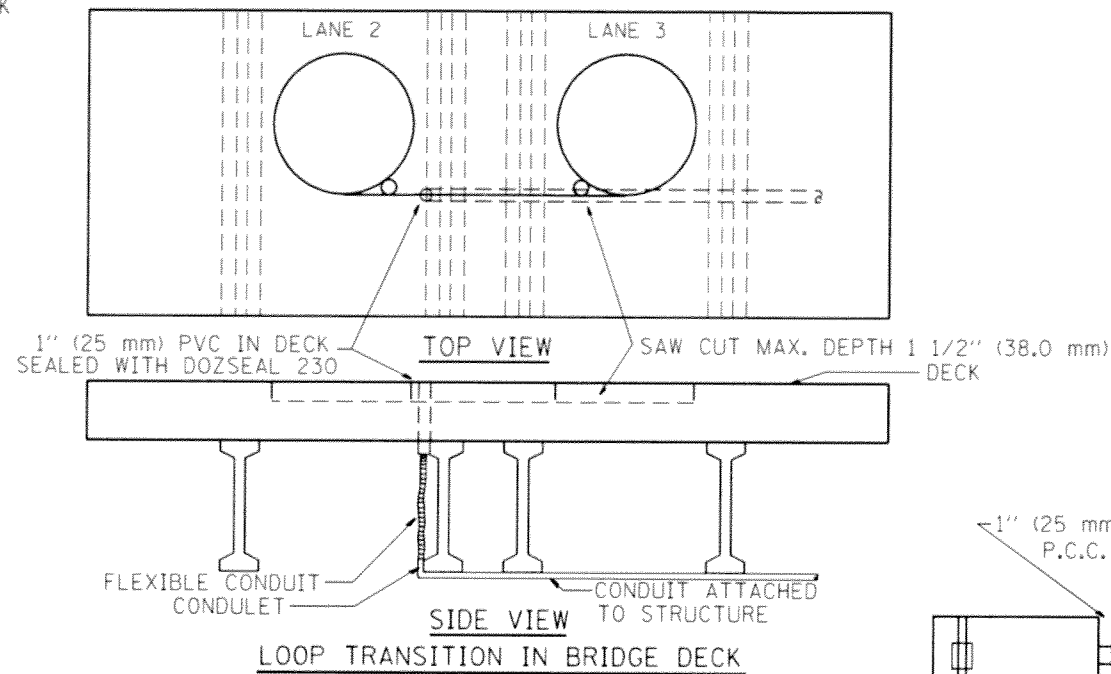


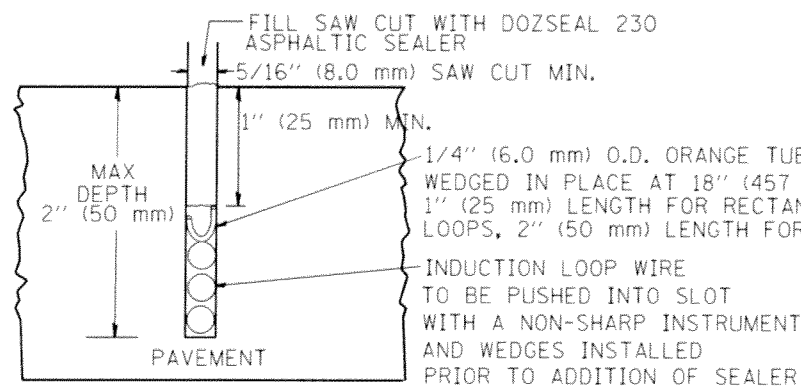
TYPICAL LOOP SAWCUT LAYOUT



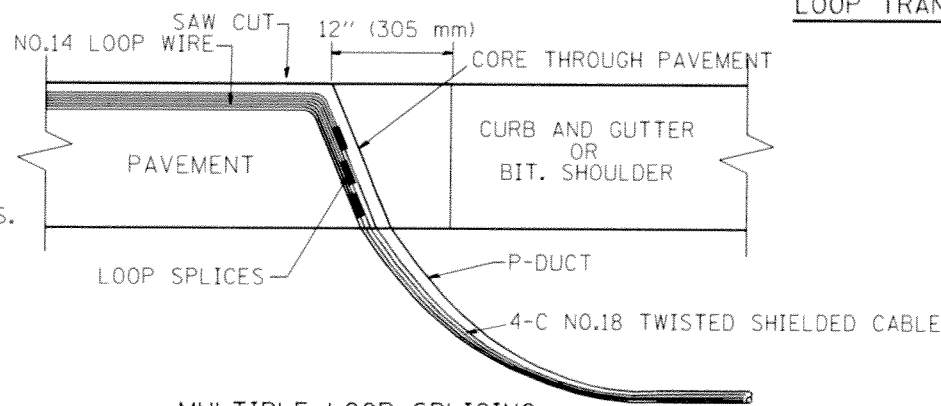
LOOP JUNCTION BOX UNDER BRIDGE DECK



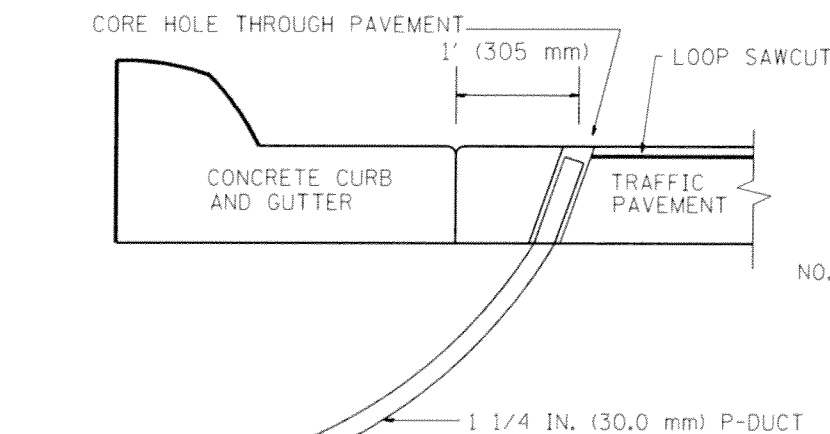
LOOP TRANSITION IN BRIDGE DECK



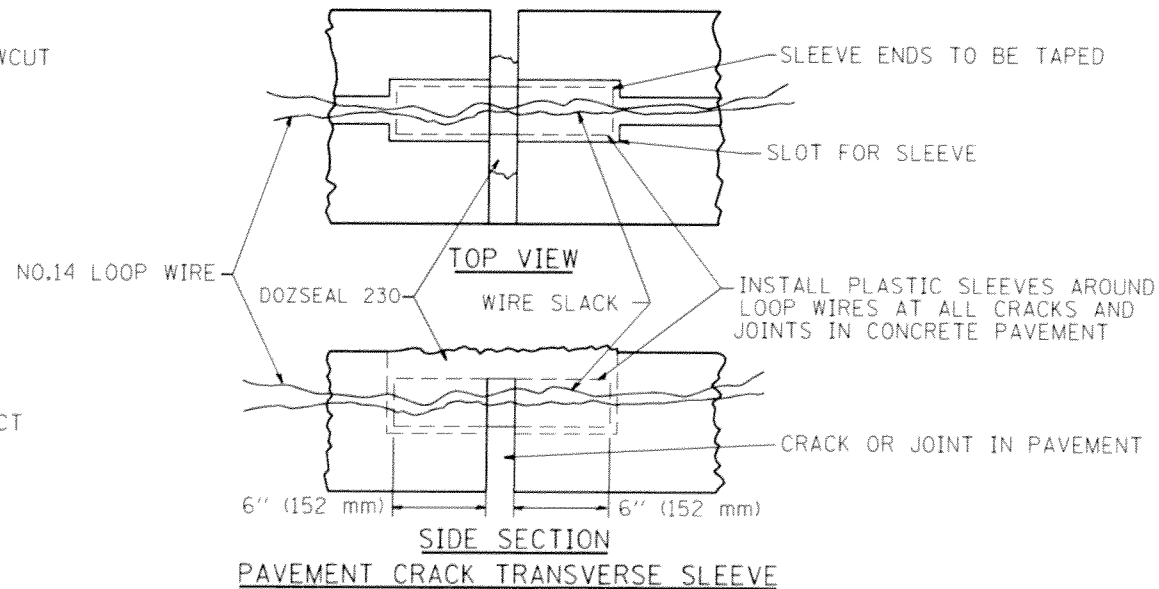
LOOP CROSS SECTION IN PAVEMENT



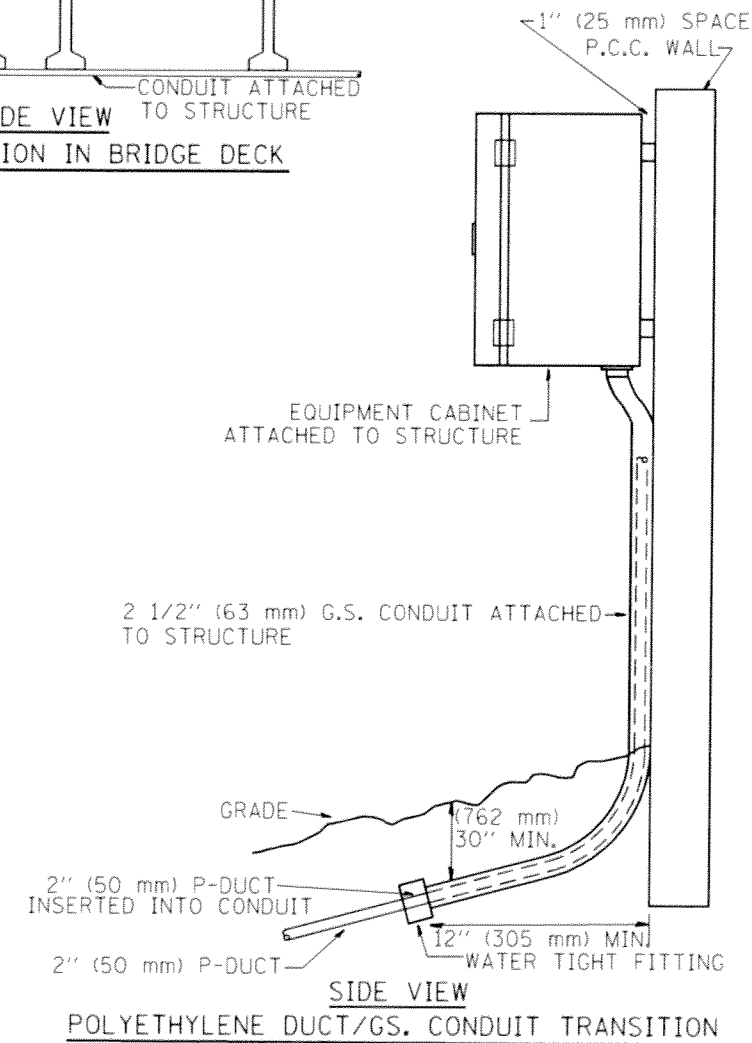
MULTIPLE LOOP SPLICING



SIDE SECTION LOOP LEAD-IN TRANSITION DETAIL



SIDE SECTION PAVEMENT CRACK TRANSVERSE SLEEVE



POLYETHYLENE DUCT/GS. CONDUIT TRANSITION

FILE NAME * C:\Projects\TSC\TYPICALS\TSC1P88.dgn	USER NAME * mezag	DESIGNED - R.L.	REVISED - 06/94	<b>STATE OF ILLINOIS DEPARTMENT OF TRANSPORTATION TRAFFIC SYSTEMS CENTER</b>	<b>LOOP, CONDUIT &amp; DUCT INSTALLATION DETAILS</b>		F.A. # RTE. 55	SECTION 2014-018 BR	COUNTY Cook	TOTAL SHEETS 36	SHEET NO. 36
	PLOT SCALE = 100.0000 / IN.	DRAWN - G.M.	REVISED - 03/95		SCALE: NONE	SHEET NO. OF SHEETS	STA. TO STA.	FED. ROAD DIST. NO.	ILLINOIS FED. AID PROJECT	CONTRACT NO. 60X91	
	PLOT DATE = 12/2/2010	CHECKED - R.L.	REVISED - 11/96								
		DATE - 06/22/94	REVISED - 18/96								