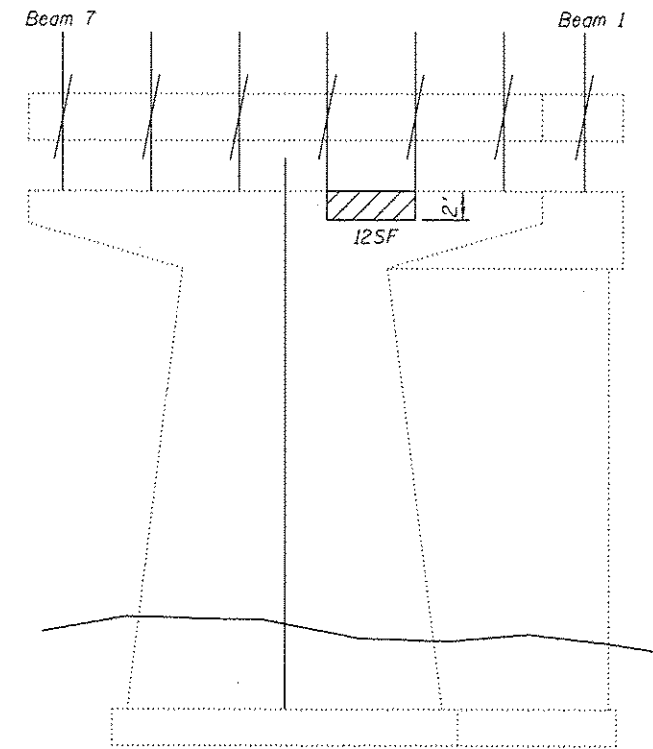
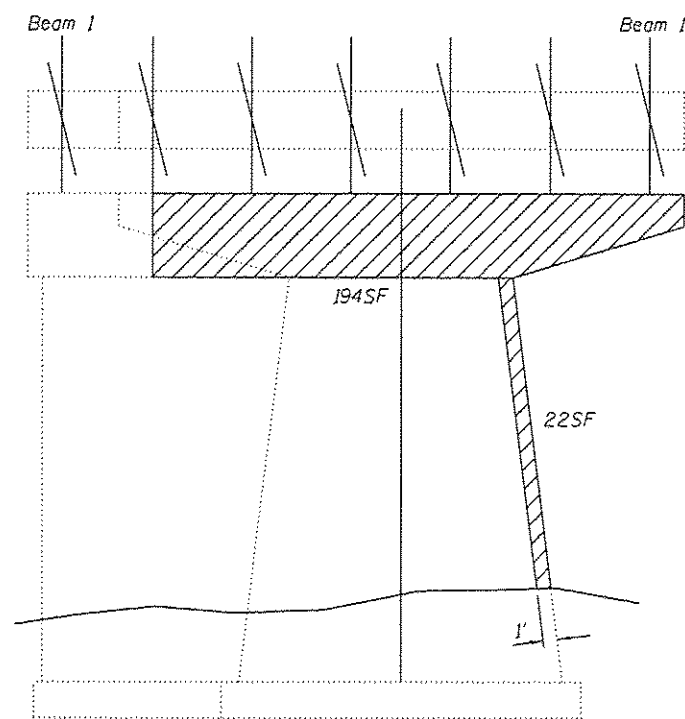


PIER 3
(Looking West)

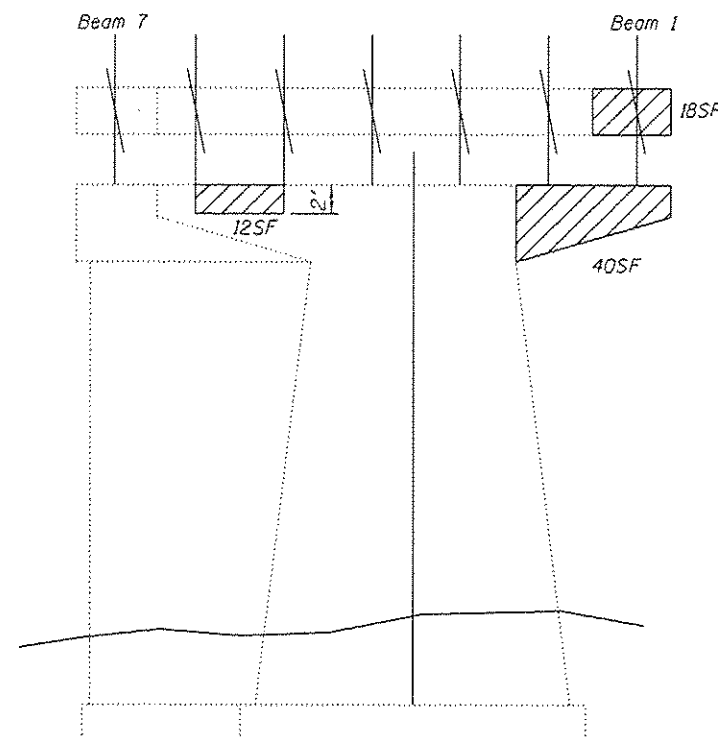


PIER 4
(Looking West)

Q	(k)	20.7
L	(k)	32.8
Imp.	(k)	9.0
Total	(k)	62.5



PIER 3
(Looking East)



PIER 4
(Looking East)

- Structural Repair of Concrete, Depth \leq 5"

BILL OF MATERIAL

Item	Unit	Total
Structural Repair of Concrete, Depth \leq 5"	Sq. Ft.	459
Temporary Shoring and Cribbing	Each	1

DESIGNED GGE	EXAMINED <i>Timothy A. Anct</i>	DATE MARCH 6, 2014
CHECKED VHV	PASSED <i>Carl Perry</i>	REVISED
DRAWN Kyle M. Steffen	ACTING ENGINEER OF BRIDGES AND STRUCTURES	REVISED
CHECKED GGE VHV		

STATE OF ILLINOIS
DEPARTMENT OF TRANSPORTATION

PIER REPAIR DETAILS
SN 037-0004

SHEET NO. 7 OF 8 SHEETS

F.A.I. RTE.	SECTION	COUNTY	TOTAL SHEETS	SHEET NO.
14	137-14BRM	HENRY	27	26
CONTRACT NO. 64E94			ILLINOIS FED. AID PROJECT	