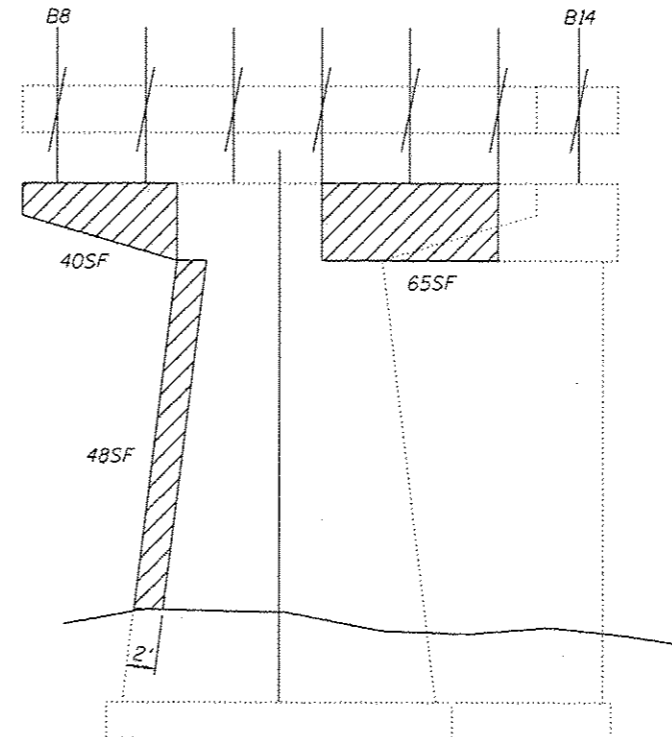
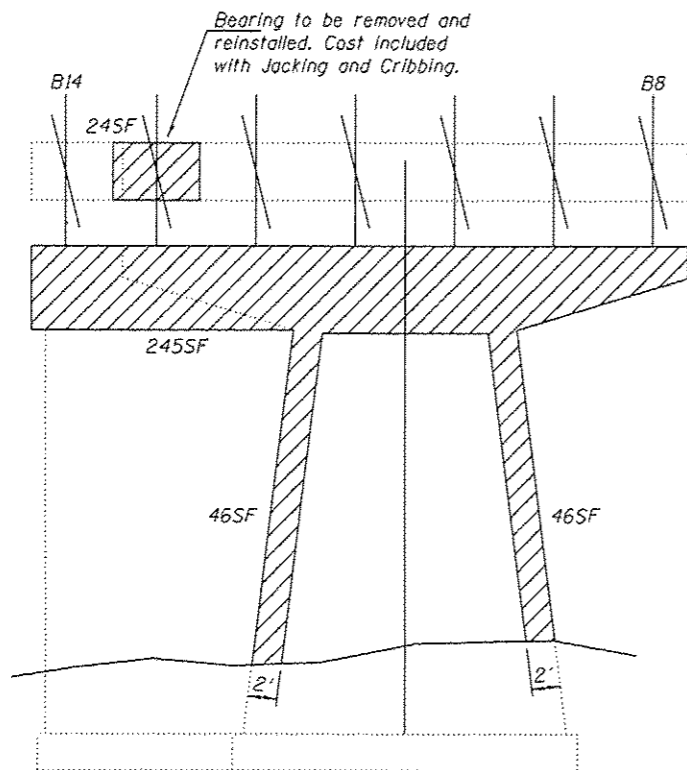


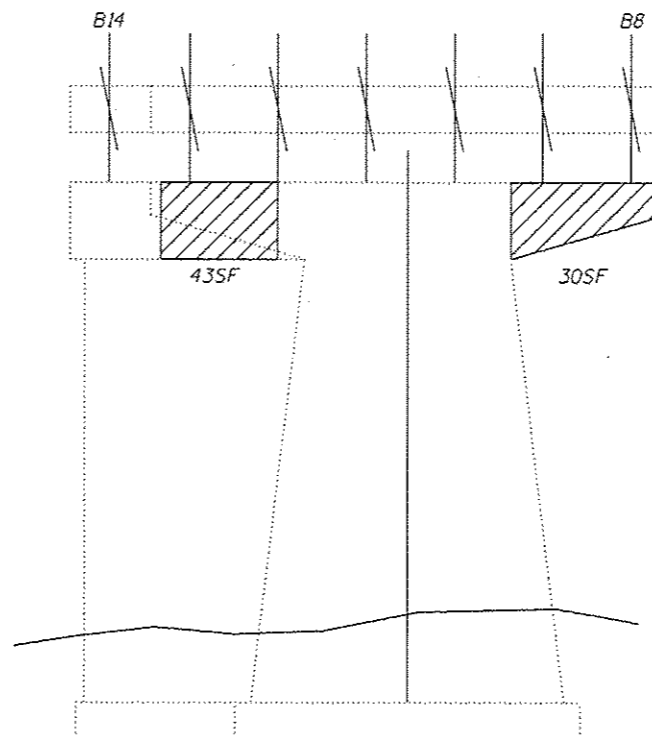
PIER 10
(Looking East)



PIER 12
(Looking East)



PIER 10
(Looking West)



PIER 12
(Looking West)

Q	(k)	18.7
L	(k)	30.2
Imp.	(k)	9.0
Total	(k)	57.5

- Structural Repair of Concrete, Depth \leq 5"

BILL OF MATERIAL

Item	Unit	Total
Structural Repair of Concrete, Depth \leq 5"	Sq. Ft.	1011
Temporary Shoring and Cribbing	Each	1

DESIGNED GGE
CHECKED VHV
DRAWN Kyle M. Steffen
CHECKED GGE VHV

EXAMINED
PASSED
ACTING ENGINEER OF STRUCTURAL SERVICES
ACTING ENGINEER OF BRIDGES AND STRUCTURES

DATE MARCH 6, 2014
REVISED
REVISED

STATE OF ILLINOIS
DEPARTMENT OF TRANSPORTATION

PIER REPAIR DETAILS
SN 037-0003

SHEET NO. 8 OF 8 SHEETS

F.A.J. RTE.	SECTION	COUNTY	TOTAL SHEETS	SHEET NO.
14	137-140R14	HENRY	27	21
CONTRACT NO. 64E94			ILLINOIS FED. AID PROJECT	