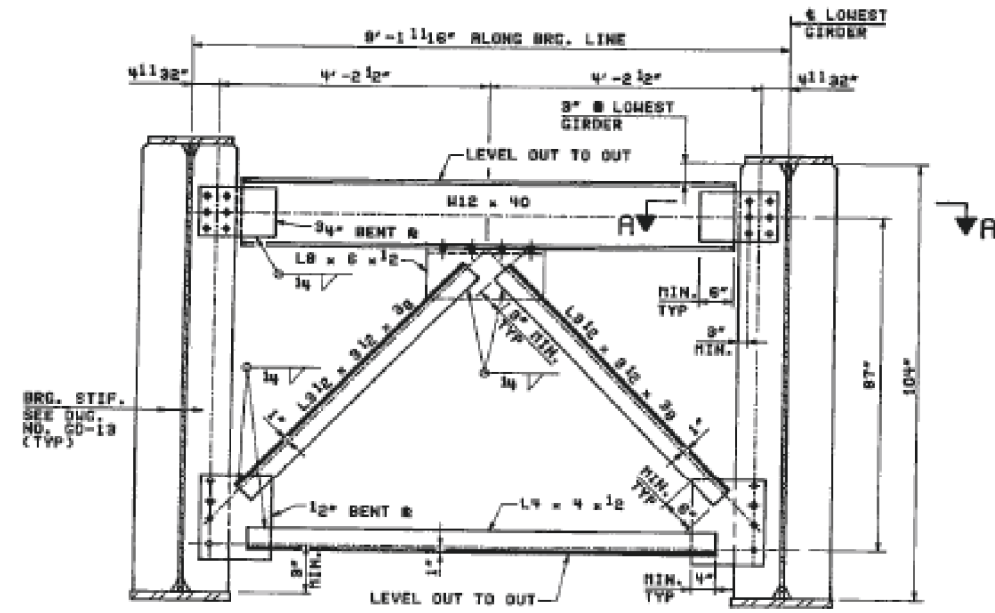


FOR INFORMATION ONLY

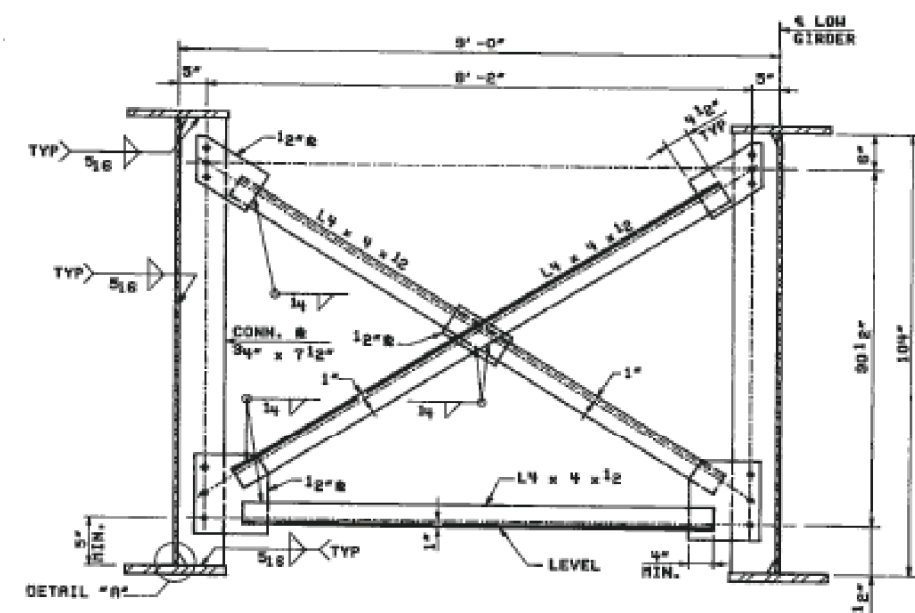
SHEET NO. 15 OF 30

ROUTE NO.	SECT.	COUNTY	SHEET NO.	TOTAL SHEETS
F.A. RTE. 398B-1		LEE & OGLE	86	39
FED. ROAD DIST. NO. 7	ELLENGER	FED. AID PROJECT		

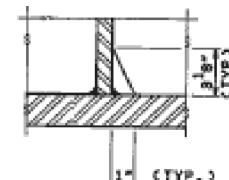
STAF-BRF-742 (25)



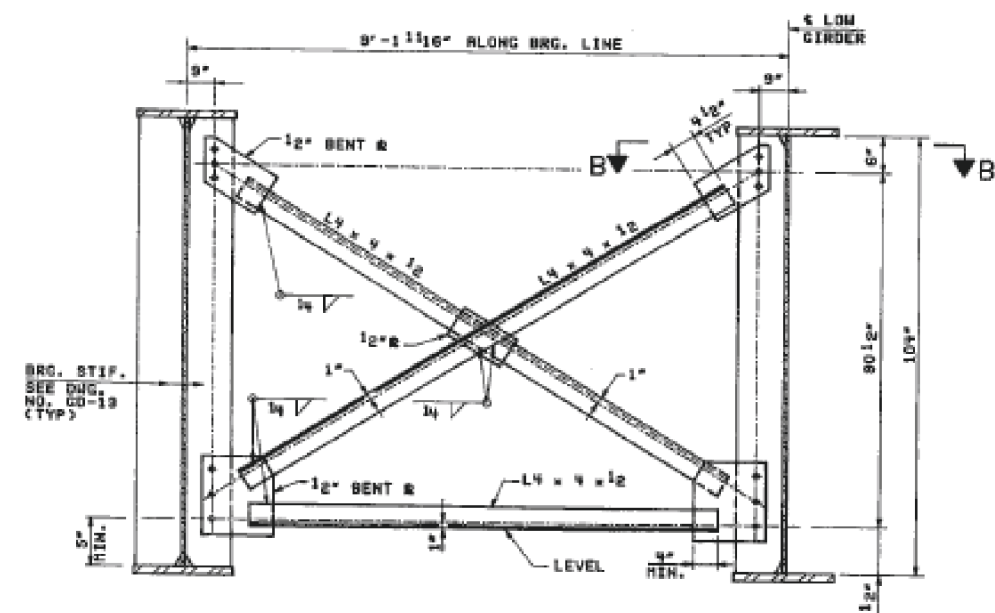
END CROSS FRAME CF - 301
@ S. ABUT. & N. ABUT.
(8 REQUIRED)



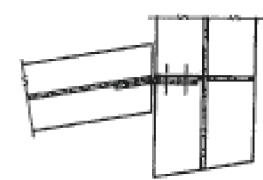
INT. CROSS FRAME CF - 302
(160 REQUIRED)



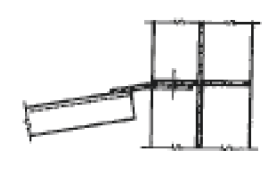
DETAIL "A"



INT. SUPPORT CROSS FRAME CF - 303
@ PIERS 1, 2 & 3
(12 REQUIRED)



SECTION A-A



SECTION B-B

NOTES:

1. PROVIDE 1 1/16\"/>
- 2. TWO HARDENED WASHERS SHALL BE REQUIRED OVER ALL OVERSIZE HOLES.

REVISION	DATE	DESCRIPTION
STATE OF ILLINOIS DEPARTMENT OF TRANSPORTATION		
CROSS FRAMES		
GRAND DETOUR BRIDGE OVER ROCK RIVER F.A. RTE. 742 SECTION 398B-1 STA. 1228+96 LEE & OGLE COUNTIES STRUCTURE NUMBER 052-0063		
STEINMAN BOYNTON INC. CONSULTING ENGINEERS - CHICAGO, ILLINOIS		
DRAWING NO. GD-17	SCALE N.T.S.	DATE 4-19-93
		SHEET NO. 39

CHECKED BY: SSP
 DRAFTED BY: SSN
 ESTIMATED BY:

DESIGNED -	REVISED -
DRAWN -	REVISED -
CHECKED -	REVISED -
DATE -	REVISED -

STATE OF ILLINOIS
DEPARTMENT OF TRANSPORTATION

EXISTING BRIDGE PLANS
SN: 052-0063

F.A.P. RTE.	SECTION	COUNTY	TOTAL SHEETS	SHEET NO.
IL 2 D2 BRIDGE PAINTING 2014-1		LEE / OGLE	25	17
			CONTRACT NO. 64J52	
ILLINOIS				