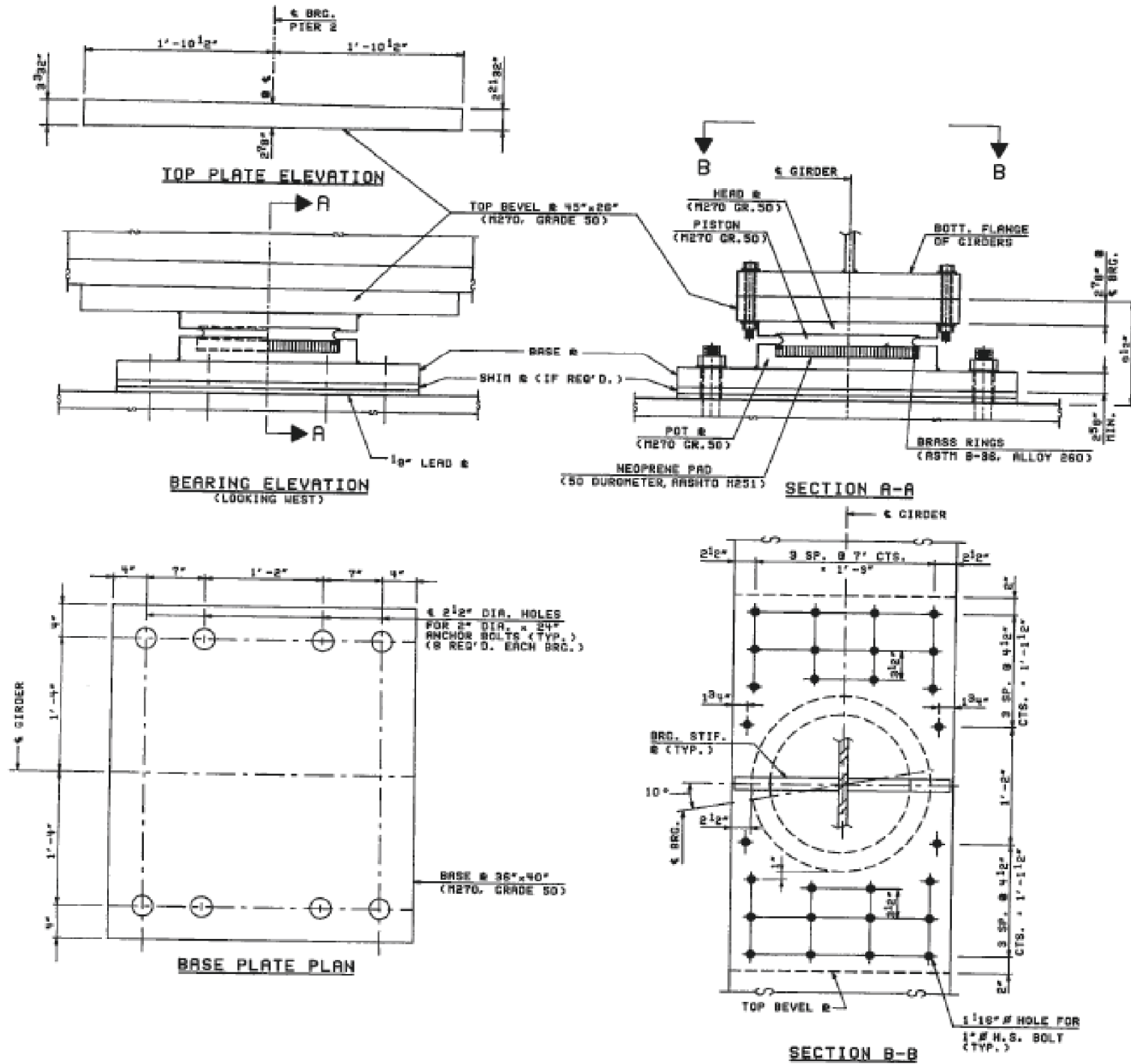


FOR INFORMATION ONLY

SHEET NO. 17 OF 30

ROUTE NO.	SECT.	COUNTY	SHEET NO.	TOTAL SHEETS
F.A. 742	BARD-1	LEE & OGLE	86	41
FED. ROAD DIST.		ILLINOIS FED. AID PROJECT		
STPF-BRF-742(25)				



BEARING DATA

PIER 2	
MIN. DEAD LOADS	454 KIPS
MAX. DEAD LOADS	525 KIPS
LIVE LOAD + IMP	235 KIPS
TOTAL - MAXIMUM	760 KIPS
LONGITUDINAL LOADS-(MAX.)	
WIND	48 KIPS
OR EARTHQUAKE	361 KIPS
OR	
TRANSVERSE LOADS-(MAX.)	
WIND	37 KIPS
OR EARTHQUAKE	105 KIPS
ROTATION	
	0.02 RADIAN
MOVEMENT-(LONGITUDINAL)	
	— INCHES
MOVEMENT-(TRANSVERSE)	
	0.25 INCHES

BILL OF MATERIAL

ITEM	UNIT	COUNTY		TOTAL
		LEE	OGLE	
FLLOATING BEARINGS, FIXED (800 KIPS)	EACH	2.5	2.5	5

NOTES:

1. ALL DETAILED DESIGN COMPUTATIONS, DRAWINGS & INSTALLATION PROCEDURES SHALL BE SUBMITTED TO THE ENGINEER FOR APPROVAL PRIOR TO FABRICATION.
2. SEE DWG. NO. GD-29 FOR ANCHOR BOLT DETAILS.
3. ANCHOR BOLTS AT FIXED BEARINGS MAY BE BUILT INTO THE MASONRY.
4. CONTRACTOR IS RESPONSIBLE FOR ADJUSTING DIMENSIONS AS REQUIRED IN THE FIELD FOR THE ACTUAL BEARINGS USED (INCLUDING BEAT ELEVATIONS). DIMENSIONS TO BE ADJUSTED SHALL BE SUBMITTED TO THE ENGINEER FOR APPROVAL PRIOR TO FABRICATION OF BEARINGS.
5. BEARING DIMENSIONS SUCH AS DIAMETER OF BRASS RINGS, PISTON, POT PLATE, HEAD PLATE, GUIDE BARS, NEOPRENE PAD, TEFLON, STAINLESS STEEL PLATE ETC. SHALL BE AS PER MANUFACTURER FOR GIVEN BEARING DESIGN DATA.

FLOATING BEARINGS - FIXED @ PIER 2

(FOR ALL GIRDERS - 3 REQUIRED)

REVISION	DATE	DESCRIPTION
STATE OF ILLINOIS DEPARTMENT OF TRANSPORTATION		
FLOATING BEARING DETAILS		
GRAND DETOUR BRIDGE OVER ROCK RIVER F.A. RTE. 742 SECTION 39RB-1 STA. 1228+96 LEE & OGLE COUNTIES STRUCTURE NUMBER 052-0063		
STEINMAN BOYNTON INC. CONSULTING ENGINEERS - CHICAGO, ILLINOIS		
DRAWING NO. GD-19	SCALE	DATE 1-19-93
		SHEET NO. 41

DESIGNED -	REVISED -		
DRAWN -	REVISED -		
CHECKED -	REVISED -		
DATE -	REVISED -		

**STATE OF ILLINOIS
DEPARTMENT OF TRANSPORTATION**

**EXISTING BRIDGE PLANS
SN: 052-0063**

F.A.P. RTE.	SECTION	COUNTY	TOTAL SHEETS	SHEET NO.
IL 2 D2	BRIDGE PAINTING 2014-1	LEE / OGLE	25	19
				CONTRACT NO. 64J52
ILLINOIS				