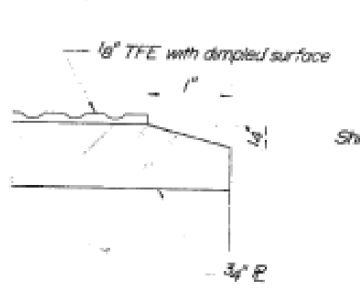
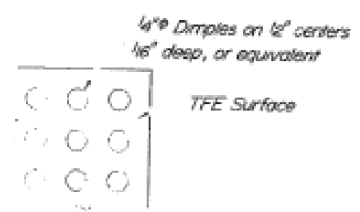


FOR INFORMATION ONLY

DATE	SECTION	COUNTY	SHEET NO.	SHEET TOTAL
NOV 30 1964	37 BR-3	OGLE	40	24
* - F.A. RTE. 742 (I.L. RTE 2)				

Sheet 10
16 Sheets

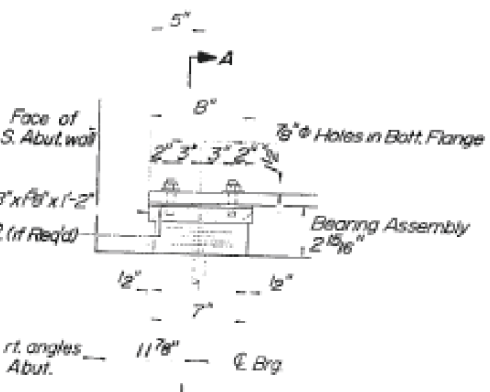


N. ABUT. TFE DETAILS

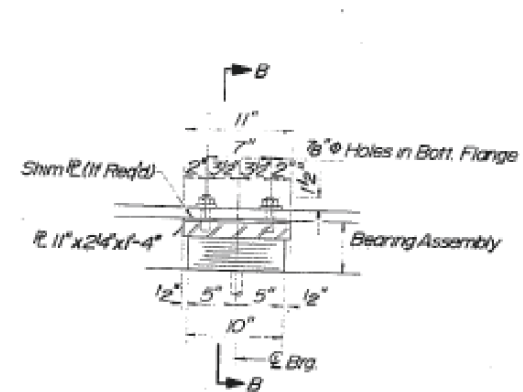
Note: The 1/8" TFE sheet shall be bonded directly to the top steel plate with a two component, medium viscosity epoxy resin, conforming to the requirements of the Federal Specification MMM-A-134, Type I. The bond agent shall be applied on the full area of the contact surfaces. Bonding of 1/8" TFE sheet during vulcanizing process will be permitted provided the process and method of adjusting assembly height is approved by the Engineer.

New anchor bolts of new bearing may be built into masonry.

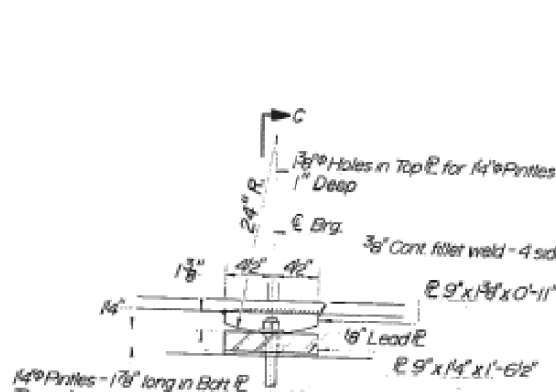
See Sheet No. 15 of 16 for anchor bolt installation.



TYPE I ELASTOMERIC EXPANSION BEARING S. ABUTMENT

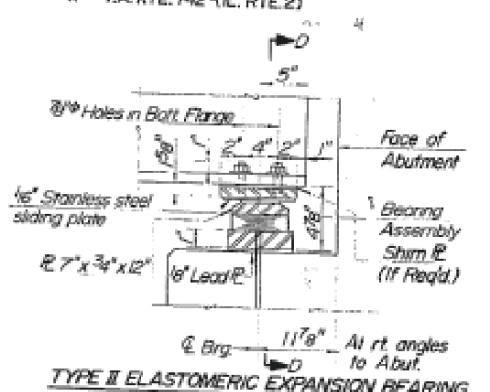


TYPE I ELASTOMERIC EXPANSION BEARING PIER 2

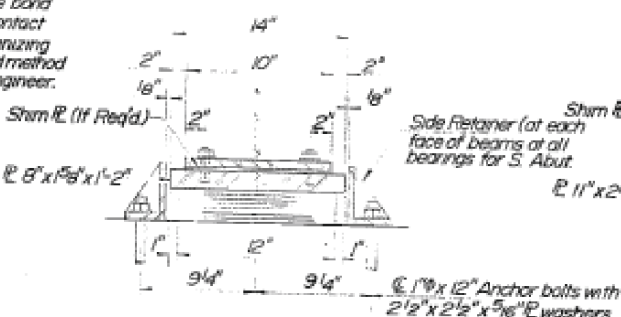


FIXED BEARING PIER 1

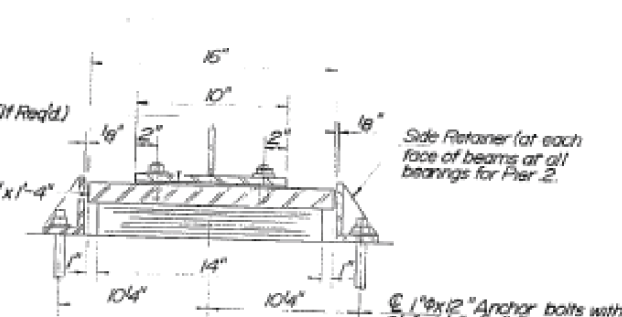
Note: Quantity of Structural Steel for Pier 1 Retainers and bearings included in the lump sum item for Structural Steel - Est. wt. 1280 lbs.



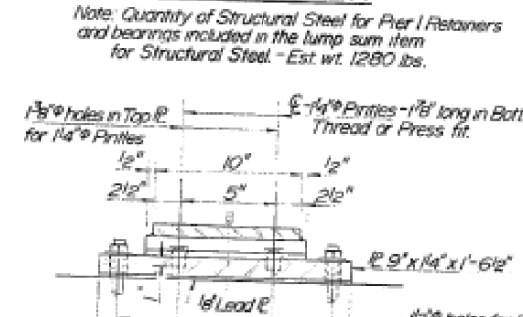
TYPE II ELASTOMERIC EXPANSION BEARING N. ABUTMENT



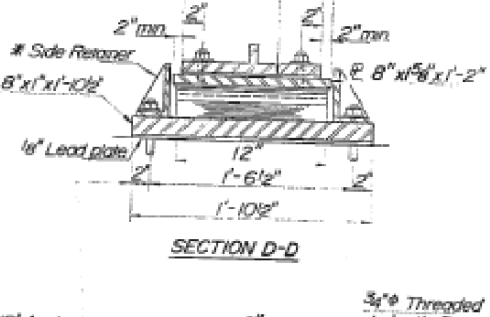
SECTION A-A



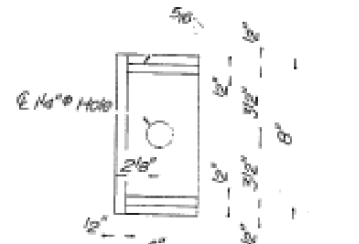
SECTION B-B



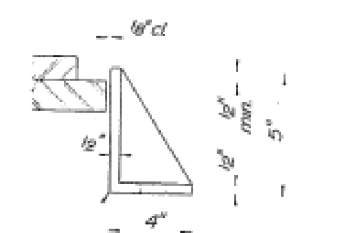
SECTION C-C



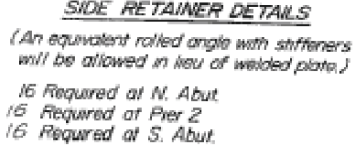
SECTION D-D



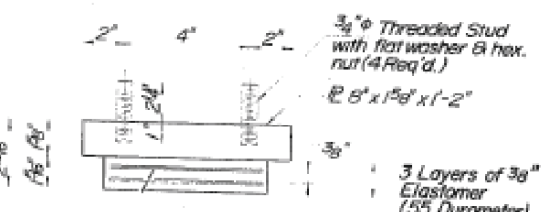
BEARING ASSEMBLY S. ABUT.



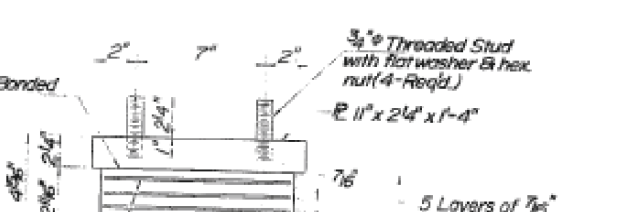
BEARING ASSEMBLY PIER 2



BEARING ASSEMBLY N. ABUT.



BEARING ASSEMBLY S. ABUT.



BEARING ASSEMBLY PIER 2

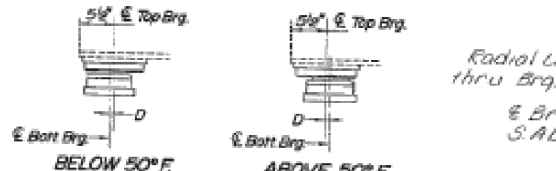


BEARING ASSEMBLY N. ABUT.

SIDE RETAINER DETAILS

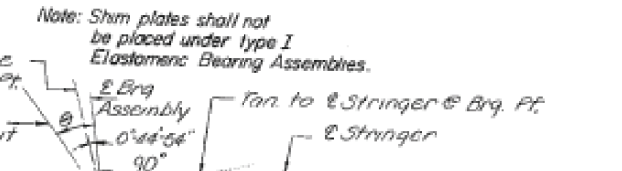
(An equivalent rolled angle with stiffeners will be allowed in lieu of welded plate.)

16 Required at N. Abut.
15 Required at Pier 2
16 Required at S. Abut.

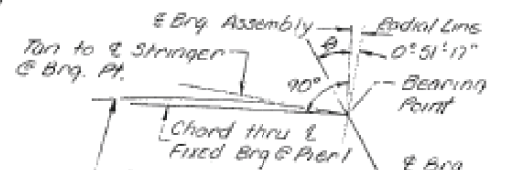


SETTING BOLSTER AT EXTR. BRG.

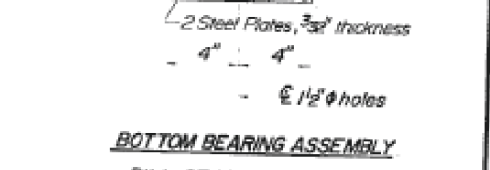
D = 1/8" per each 100' of expansion for every 15° temp. change from the normal temp. of 50°F.



BEARING LAYOUT S. ABUT.



BEARING LAYOUT PIER 2



BEARING LAYOUT N. ABUT.

BILL OF MATERIAL

Item	Quantity
Elastomeric Bearing Assembly, Type I	Each 16
Elastomeric Bearing Assembly, Type II	Each 8

STRUCTURAL STEEL
I.L. ROUTE 2 OVER MUD CREEK
F.A. ROUTE 742
SECTION 37BR-3
S.N. 071-0025
OGLE COUNTY
BEARING DETAILS

NOTE: For values of the angle θ , see Sheet No. 9 of 16 Sheets.

ALLEN HENDERSON & ASSOCIATES

CONSULTING CIVIL AND STRUCTURAL ENGINEERS

SPRINGFIELD, ILL.

STATE OF ILLINOIS
DEPARTMENT OF TRANSPORTATION

EXISTING BRIDGE PLANS
SN: 071-0025

F.A.P. RTE.	SECTION	COUNTY	TOTAL SHEETS	SHEET NO.
IL 2 D2	BRIDGE PAINTING 2014-1	LEE / OGLE	25	25
				CONTRACT NO. 64J52

ILLINOIS