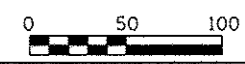
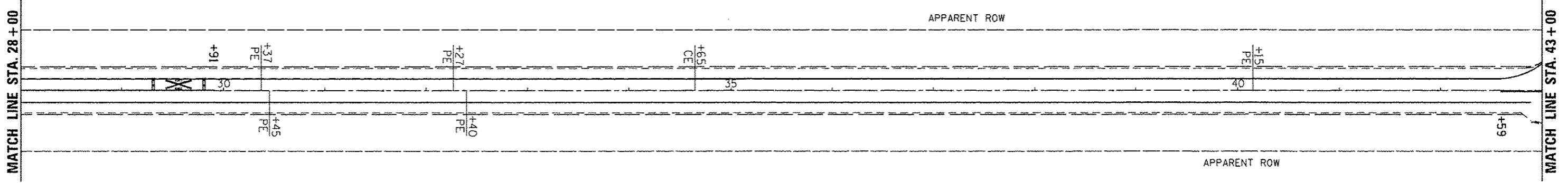
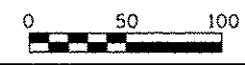
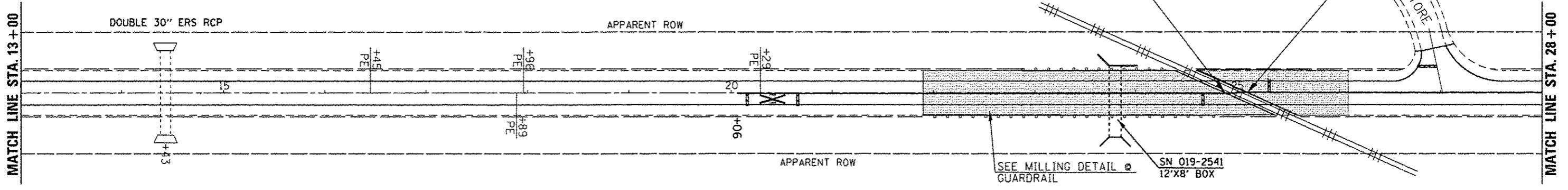
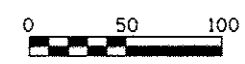
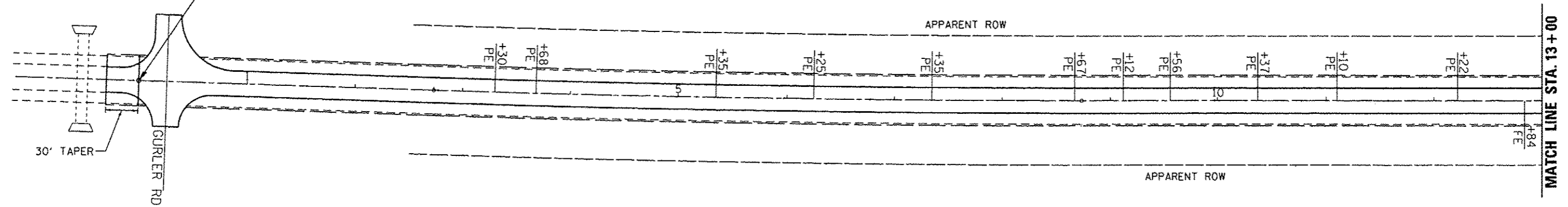




BEGIN IMPROVEMENT  
STA. 0+00



FILE NAME : c:\p\work\p\dat\duncanbd\8138229\036952-shs-plan.dgn	USER NAME : duncanbd	DESIGNED -	REVISED -	<b>STATE OF ILLINOIS DEPARTMENT OF TRANSPORTATION</b>	<b>PLAN VIEW</b>			F.A.P. RTE. 6B	SECTION 28RS-4	COUNTY DEKALB	TOTAL SHEETS 27	SHEET NO. 14
	PLOT SCALE = 100.0000' / 1"	CHECKED -	REVISED -		SCALE: 1=50	SHEET NO. 1 OF 7 SHEETS	STA. 997+00 TO STA. 43+00	CONTRACT NO. 66952				
PLOT DATE = 12/6/2013	DATE -	REVISED -	REVISED -	ILLINOIS FED. AID PROJECT								