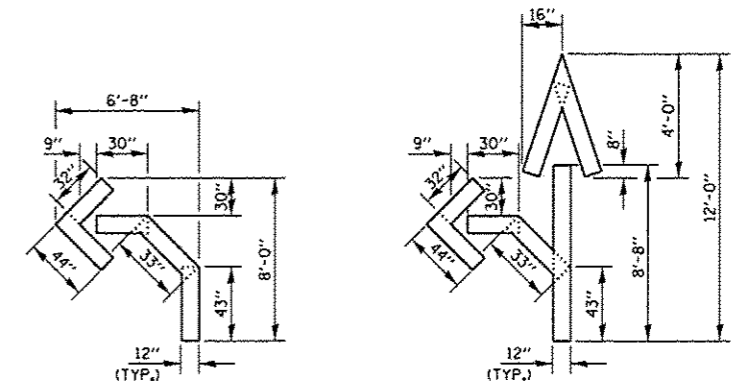


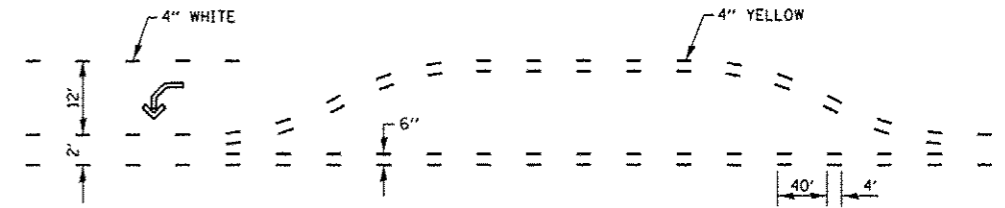
MILLING TRANSITION DETAIL

1 1/2 " TO 2 1/4 "

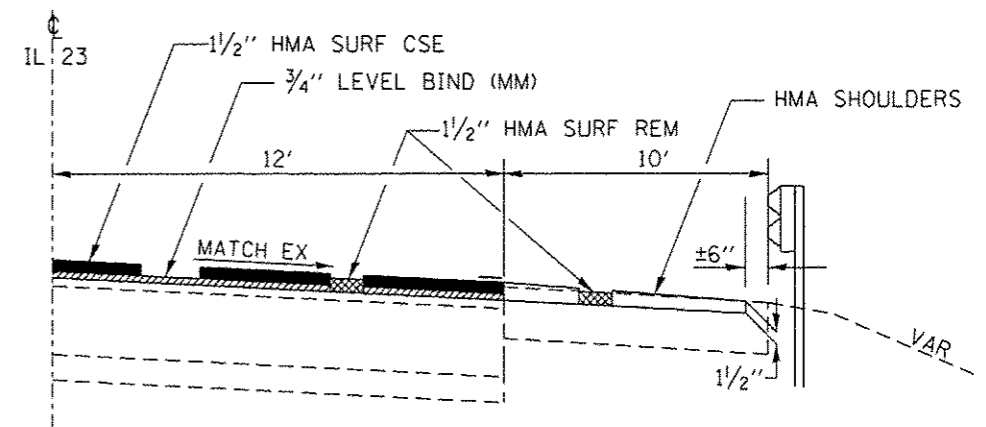


QUANTITY
12" LINE = 16 LIN. FT.
OR 4" LINE = 48 LIN. FT.

QUANTITY
12" LINE = 29 LIN. FT.
OR 4" LINE = 87 LIN. FT.



SHORT-TERM PAVEMENT MARKING FOR MEDIANS AND ARROWS



MILLING AT GUARDRAIL

SEE PLAN VIEW FOR LOCATIONS

FILE NAME :	USER NAME : duncanbd	DESIGNED -	REVISED -	STATE OF ILLINOIS DEPARTMENT OF TRANSPORTATION	DETAILS		F.A.P. RTE. 68	SECTION 28RS-4	COUNTY DEKALB	TOTAL SHEETS 27	SHEET NO. 21	
c:\pwork\pwork\dat\duncanbd\09130229\036	952-shr-detail.dgn	DRAWN -	REVISED -		SCALE:	SHEET NO. 1 OF 7 SHEETS	STA.	TO STA.	ILLINOIS FED. AID PROJECT			
	PLOT SCALE = 100.0000 ' / in.	CHECKED -	REVISED -									
	PLOT DATE = 12/6/2013	DATE -	REVISED -									