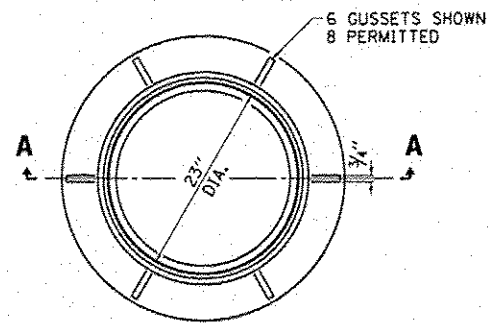
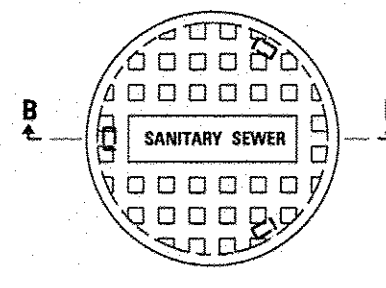


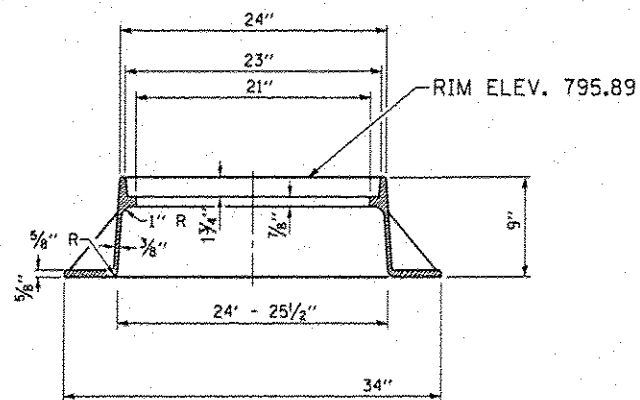
PLAN



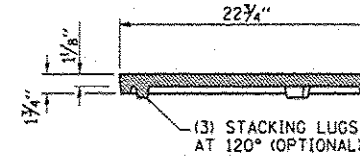
PLAN



PLAN



SECTION A-A



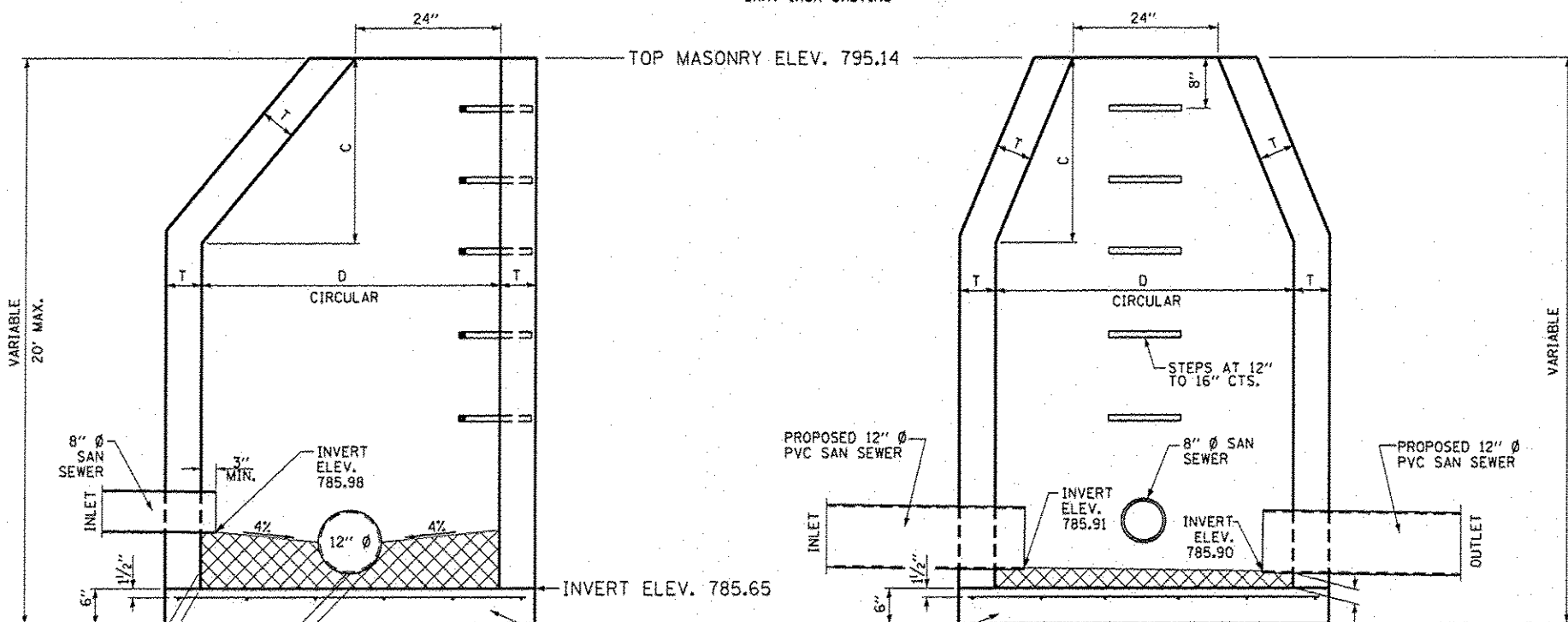
SECTION B-B

CAST CLOSED LID  
GRAY IRON LID



CONCRETE FILL

TYPE 1 FRAME  
GRAY IRON CASTING

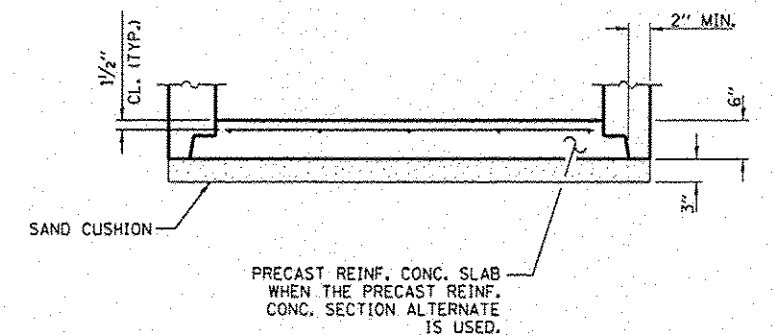
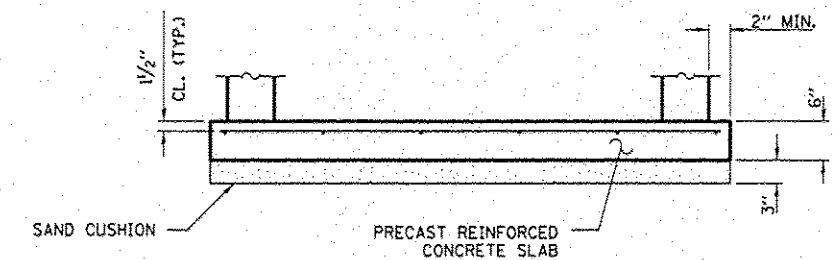


ELEVATION - ECCENTRIC  
LOOKING WEST

ELEVATION - CONCENTRIC  
LOOKING NORTH

ALTERNATE MATERIALS FOR WALLS	D	C*	T (MIN.)
CONCRETE MASONRY UNIT	4'-0" (1.2 M)	30 (750)	5 (125)
	5'-0" (1.5 M)	3'-9" (1.15 M)	5 (125)
BRICK MASONRY	4'-0" (1.2 M)	30 (750)	8 (200)
	5'-0" (1.5 M)	3'-9" (1.15 M)	8 (200)
PRECAST REINFORCED CONCRETE SECTION	4'-0" (1.2 M)	30 (750)	4 (100)
	5'-0" (1.5 M)	3'-9" (1.15 M)	5 (125)
CAST-IN-PLACE CONCRETE	4'-0" (1.2 M)	30 (750)	6 (150)
	5'-0" (1.5 M)	3'-9" (1.15 M)	6 (150)

\* FOR PRECAST REINFORCED CONCRETE SECTIONS, DIMENSION "C" MAY VARY FROM THE DIMENSION GIVEN TO PLUS 6 (150).



ALTERNATE BOTTOM SLAB

GENERAL NOTES

BOTTOM SLABS SHALL BE REINFORCED WITH A MINIMUM OF 0.31 SQ. IN./FT. IN BOTH DIRECTIONS WITH A MAXIMUM SPACING OF 12".

BOTTOM SLABS MAY BE CONNECTED TO THE RISER AS DETERMINED BY THE FABRICATOR; HOWEVER, ONLY A SINGLE ROW OF REINFORCEMENT AROUND THE PERIMETER MAY BE UTILIZED.

SEE STANDARD 602701 FOR DETAILS OF STEPS.

SEE STANDARD 602601 FOR OPTIONAL PRECAST REINFORCED CONCRETE FLAT SLAB TOP.

USE THIS DETAIL IN CONJUNCTION WITH STANDARD 602401.

COST OF THE "CONCRETE FILL" WILL NOT BE PAID FOR SEPARATELY BUT SHALL BE INCLUDED IN THE COST OF THE "MANHOLE, TYPE A"

FILE NAME =	USER NAME = woodshankr1	DESIGNED - RON WOODSHANK	REVISED -	STATE OF ILLINOIS DEPARTMENT OF TRANSPORTATION	MANHOLE (A) MANHOLE TYPE A, SANITARY, 4' DIAMETER	F.A.P. RTE.	SECTION	COUNTY	TOTAL SHEETS	SHEET NO.	
c:\pwwork\pwwork\woodshankr1\d0347546	0366023-shc-detail.dgn	DRAWN - RON WOODSHANK	REVISED -			573	D3 SANITARY SEWER 2014-1	DEKALB	11	7	
PLOT SCALE = 1/8" = 1' - 0"		CHECKED - YOGESH PATEL	REVISED -			CONTRACT NO. 66D23					
MODEL NAME =	PLOT DATE = 1/17/2014	DATE = 9/13/2013	REVISED -			ILLINOIS FED. AID PROJECT					