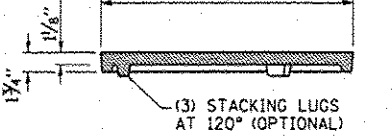


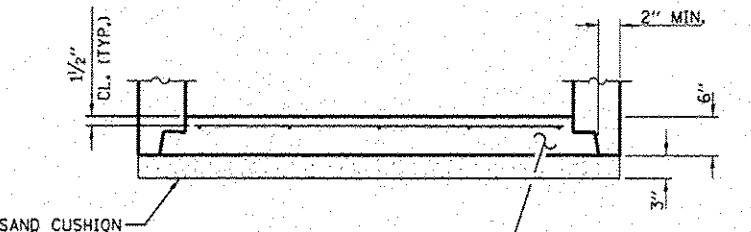
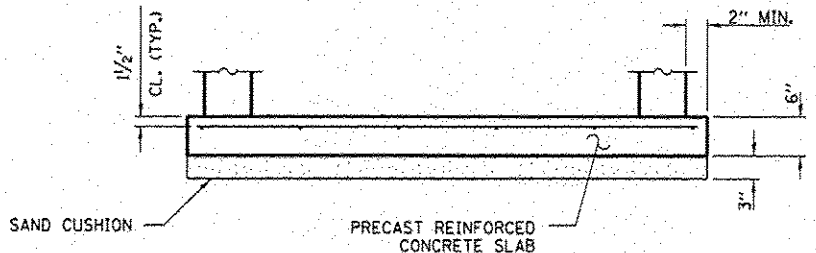
ALTERNATE MATERIALS FOR WALLS	D	C*	T (MIN.)
CONCRETE MASONRY UNIT	4'-0" (1.2 M) 5'-0" (1.5 M)	30 (750) 3'-9" (1.15 M)	5 (125) 5 (125)
BRICK MASONRY	4'-0" (1.2 M) 5'-0" (1.5 M)	30 (750) 3'-9" (1.15 M)	8 (200) 8 (200)
PRECAST REINFORCED CONCRETE SECTION	4'-0" (1.2 M) 5'-0" (1.5 M)	30 (750) 3'-9" (1.15 M)	4 (100) 5 (125)
CAST-IN-PLACE CONCRETE	4'-0" (1.2 M) 5'-0" (1.5 M)	30 (750) 3'-9" (1.15 M)	6 (150) 6 (150)

\* FOR PRECAST REINFORCED CONCRETE SECTIONS, DIMENSION "C" MAY VARY FROM THE DIMENSION GIVEN TO PLUS 6 (150).



**SECTION B-B**

**CAST CLOSED LID**  
GRAY IRON LID



**ALTERNATE BOTTOM SLAB**

**GENERAL NOTES**

BOTTOM SLABS SHALL BE REINFORCED WITH A MINIMUM OF 0.31 SQ. IN./FT. IN BOTH DIRECTIONS WITH A MAXIMUM SPACING OF 12".

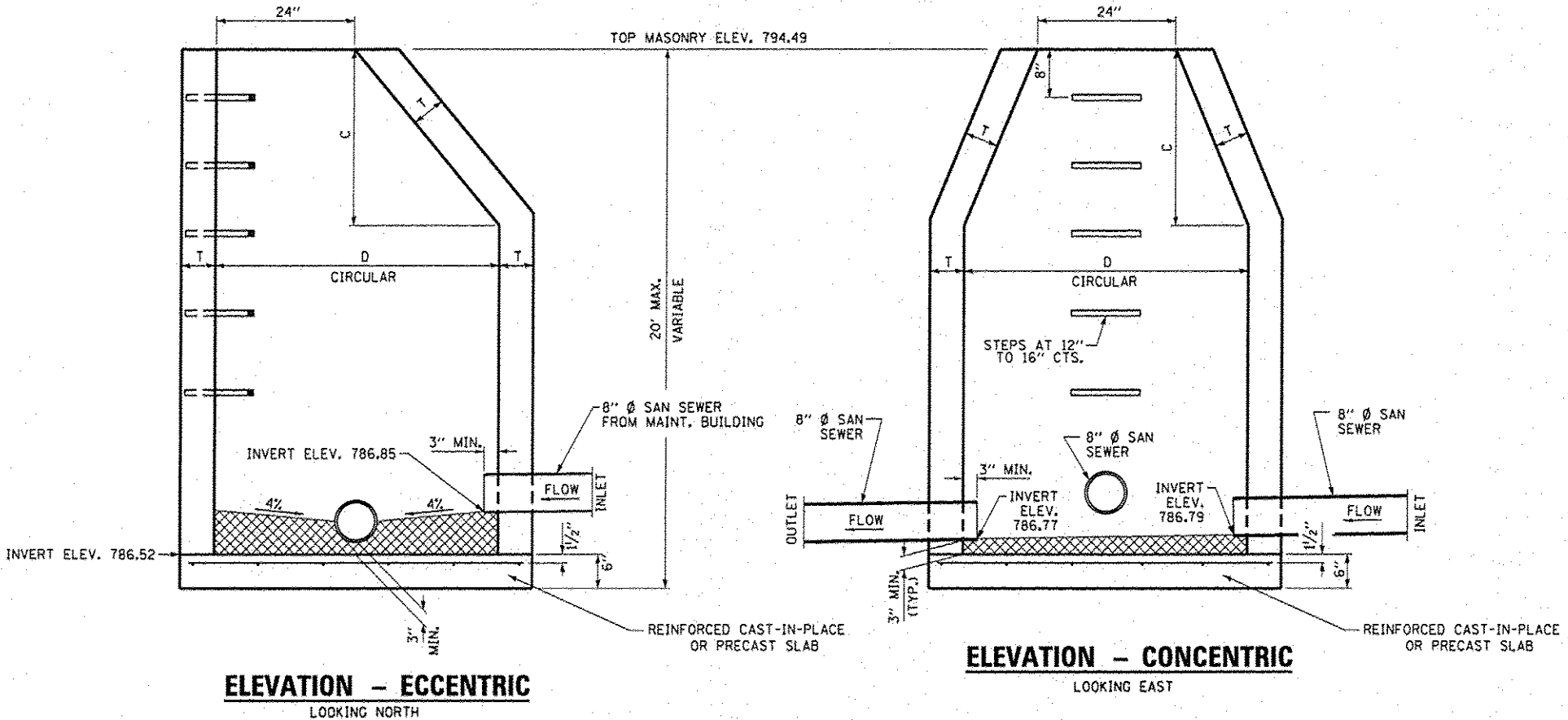
BOTTOM SLABS MAY BE CONNECTED TO THE RISER AS DETERMINED BY THE FABRICATOR; HOWEVER, ONLY A SINGLE ROW OF REINFORCEMENT AROUND THE PERIMETER MAY BE UTILIZED.

SEE STANDARD 602701 FOR DETAILS OF STEPS.

SEE STANDARD 602601 FOR OPTIONAL PRECAST REINFORCED CONCRETE FLAT SLAB TOP.

USE THIS DETAIL IN CONJUNCTION WITH STANDARD 602401.

COST OF THE "CONCRETE FILL" WILL NOT BE PAID FOR SEPARATELY BUT SHALL BE INCLUDED IN THE COST OF THE "MANHOLE, TYPE A"



**ELEVATION - ECCENTRIC**  
LOOKING NORTH

**ELEVATION - CONCENTRIC**  
LOOKING EAST

FILE NAME = c:\p\work\p\wdat\woodshankr\1\0347546	USER NAME = woodshankr	DESIGNED - RON WOODSHANK	REVISED -	<b>STATE OF ILLINOIS DEPARTMENT OF TRANSPORTATION</b>	<b>MANHOLE (B) MANHOLE TYPE A, SANITARY, 4' DIAMETER</b>	F.A.P. RTE. = 573	SECTION = 03 SANITARY SEWER 2014-1	COUNTY = DEKALB	TOTAL SHEETS = 11	SHEET NO. = 8	
MODELNAME#	2366023-sht-details.dgn	DRAWN - RON WOODSHANK	REVISED -			SCALE: SHEET 2 OF 2 SHEETS STA. TO STA.	CONTRACT NO. 66D23				
	PLOT SCALE = 1/8" = 1'-0"	CHECKED - YOGESH PATEL	REVISED -				ILLINOIS FED. AID PROJECT				
	PLOT DATE = 1/17/2014	DATE = 9/13/2013	REVISED -								