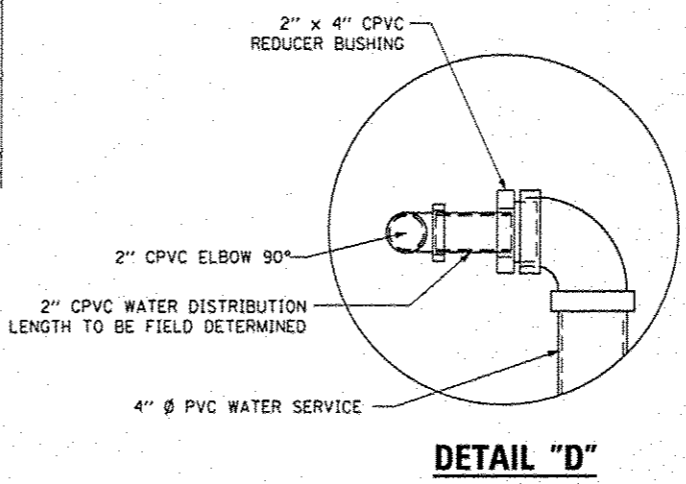
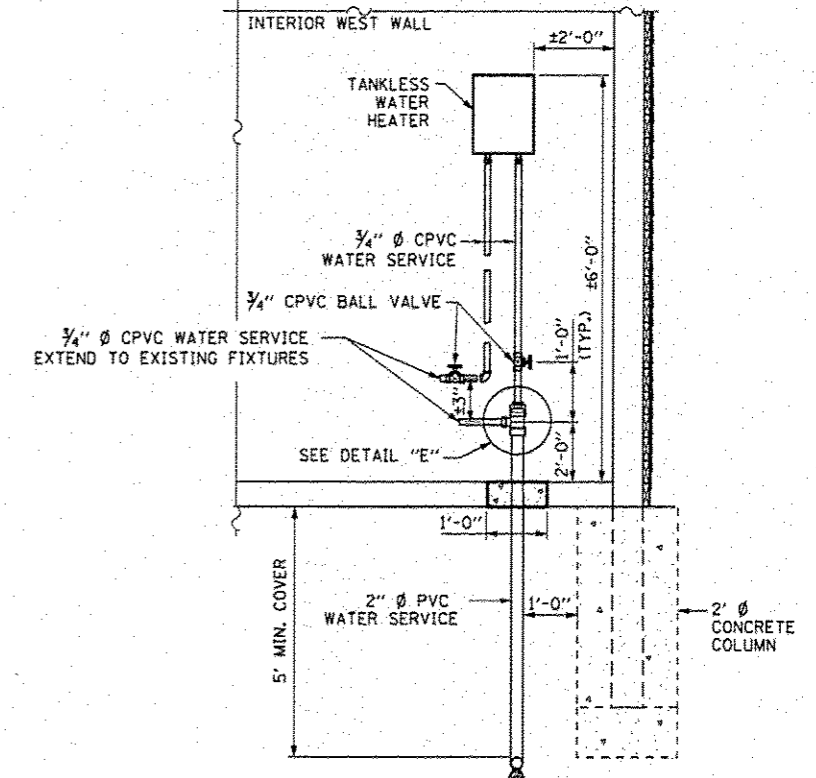


FACING WEST INTERIOR WALL FACING NORTH INTERIOR WALL

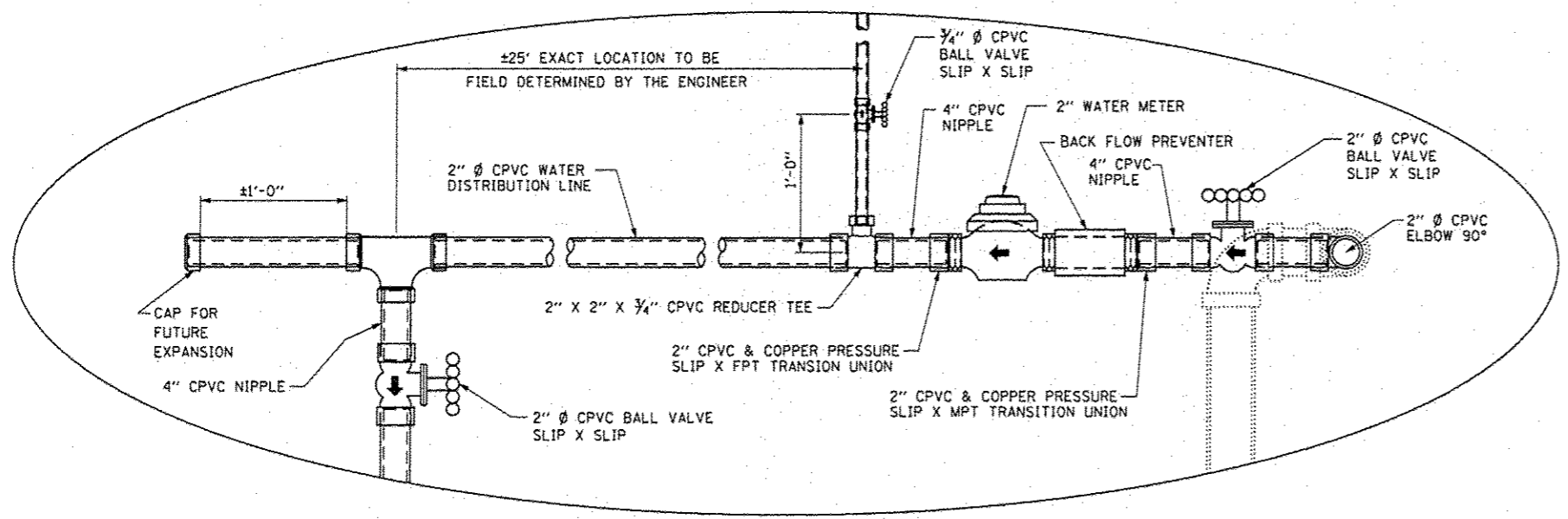
**INTERIOR ELEVATION
MAINTENANCE BUILDING**



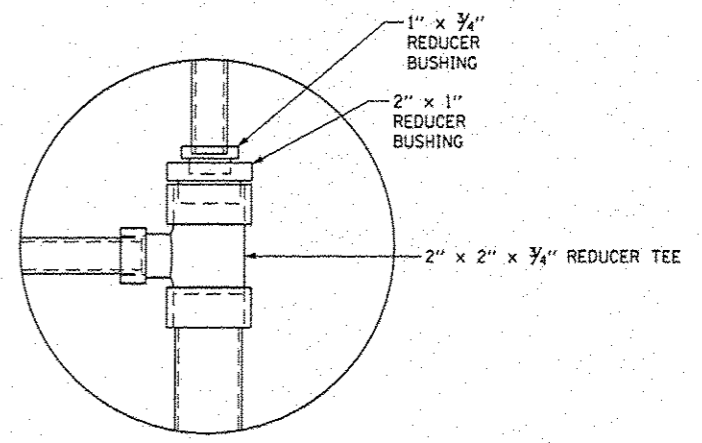
DETAIL "D"



**INTERIOR ELEVATION
OFFICE RESTROOM
FACING WEST INTERIOR WALL**



DETAIL "C"



DETAIL "E"

FILE NAME :	USER NAME : woodshankr	DESIGNED - RON WOODSHANK	REVISED -	STATE OF ILLINOIS DEPARTMENT OF TRANSPORTATION	MISCELLANEOUS DETAILS FOR WATER SERVICE CONSTRUCTION	F.A.P. RTE.	SECTION	COUNTY	TOTAL SHEETS	SHEET NO.
c:\pwwork\pwwork\woodshankr\1\0347546\386023-shr-details.dgn	DRAWN - RON WOODSHANK	REVISED -	573			D3 SANITARY SEWER 2014-1	DEKALB	11	10	
PLOT SCALE = 1/8" = 1'-0"	CHECKED - YOGESH PATEL	REVISED -	CONTRACT NO. 66D23							
MODELNAME	PLOT DATE = 1/17/2014	DATE - 9/13/2013	REVISED -			SCALE:	SHEET 1 OF 2 SHEETS	STA. TO STA.	ILLINOIS FED. AID PROJECT	