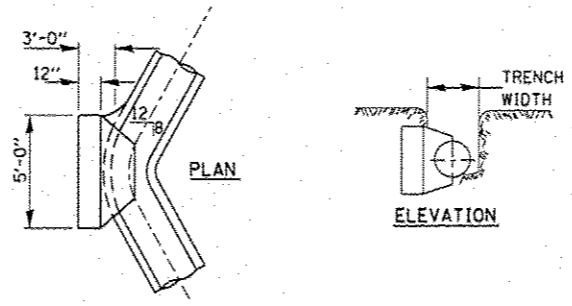


NOTES:
 ALL BLOCKS BEAR AGAINST UNDISTURBED EARTH.
 ALL BLOCKING SHALL BE 3,000 P.S.I. POURED CONCRETE.
 ARROWS INDICATE DIRECTION OF THRUST.
 ALL FITTINGS SHOWN IN PLAN EXCEPT VERTICAL BEND.

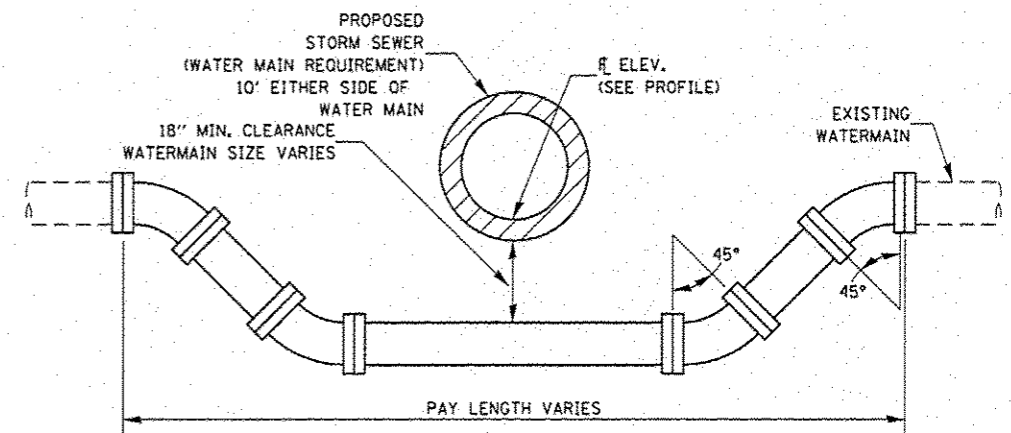
TYPICAL THRUST BLOCK INSTALLATIONS

GENERAL NOTES:
 1. ANY SOFT OR SPONGY MATERIAL ENCOUNTERED BELOW THE ELEVATION OF THE PIPE SHALL BE REMOVED AND REPLACED WITH WELL COMPACTED MOIST FINE AGGREGATE.
 2. ANY ROCK ENCOUNTERED IN THE TRENCH SHALL BE REMOVED TO A DEPTH OF AT LEAST 8 INCHES BELOW THE PIPE GRADE AND REPLACED WITH WELL COMPACTED MOIST FINE AGGREGATE.
 3. THE SIDES OF THE TRENCH MAY BE SLOPED OR BENCHED ABOVE A 5 FT. TRENCH DEPTH OR ABOVE THE ELEVATION OR THE TOP OF PIPE, WHICHEVER IS GREATER, IN LIEU OF COMPLETE SHORING OR SHEETING OF THE FULL TRENCH DEPTH.

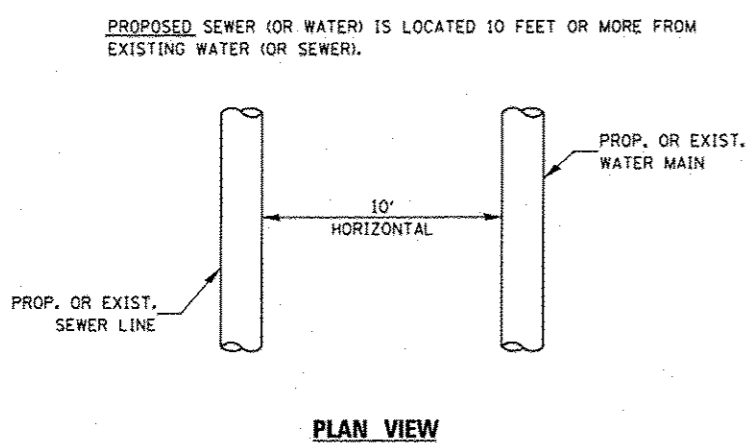
BACKFILL OPTIONS:
 METHOD 1: UNIFORM LAYERS NOT EXCEEDING 12" THICK RAMMED OR TAMPED WITH APPROVED TOOLS
 METHOD 2: UNIFORM LAYERS NOT EXCEEDING 12" THICK INUNDATED OR DEPOSITED IN WATER
 METHOD 3: FILL TRENCH WITH LOOSE MATERIAL THEN JET WITH WATER, 6 FT MAXIMUM SPACING OF HOLES



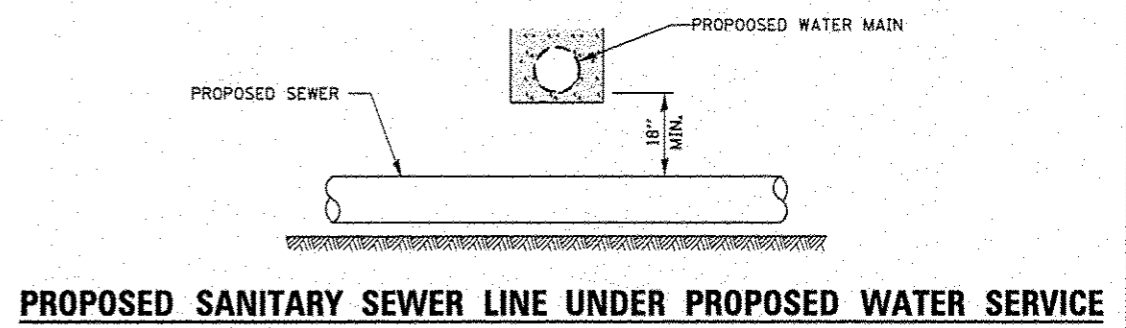
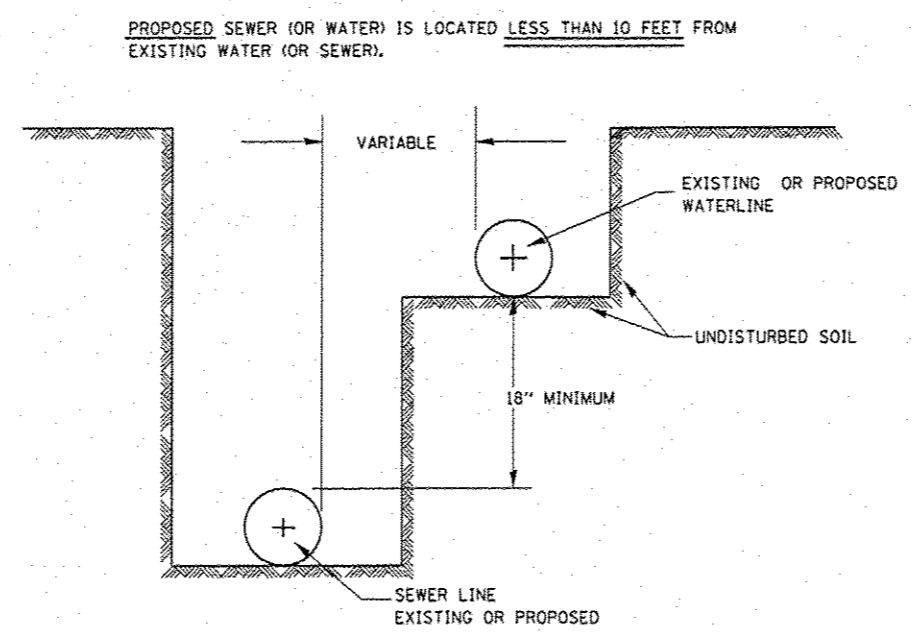
BEND BLOCKING
 11'±



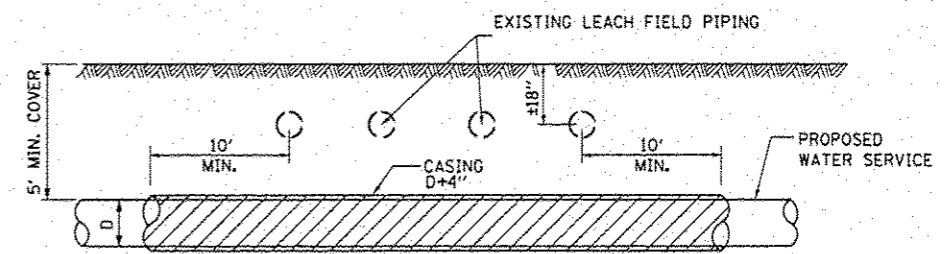
ADJUSTING WATERMAIN DETAIL



WATER AND SEWER SEPARATION REQUIREMENTS - HORIZONTAL SEPARATION



PROPOSED SANITARY SEWER LINE UNDER PROPOSED WATER SERVICE



PROPOSED "WATER SERVICE PROTECTION" UNDER LEACH FIELD PIPING (CASING REQUIRED)

FILE NAME *	USER NAME * woodshank1	DESIGNED - RON WOODSHANK	REVISED -	STATE OF ILLINOIS DEPARTMENT OF TRANSPORTATION	MISCELLANEOUS DETAILS FOR WATER SERVICE CONSTRUCTION	F.A.P. RTE.	SECTION	COUNTY	TOTAL SHEETS	SHEET NO.
o:\p\work\p\d\td\woodshank1\08347546\0366023-shr-detailed.dgn	DRAWN - RON WOODSHANK	REVISED -	573			D3 SANITARY SEWER 2014-1	DEKALB	11	11	
PLOT SCALE * 1/8" = 1' - 0"	CHECKED - YOGESH PATEL	REVISED -	CONTRACT NO. 66D23							
MODELNAME*	PLOT DATE * 1/17/2014	DATE - 9/13/2013	REVISED -			ILLINOIS FED. AID PROJECT				
SCALE:						SHEET 2 OF 2 SHEETS		STA. TO STA.		