

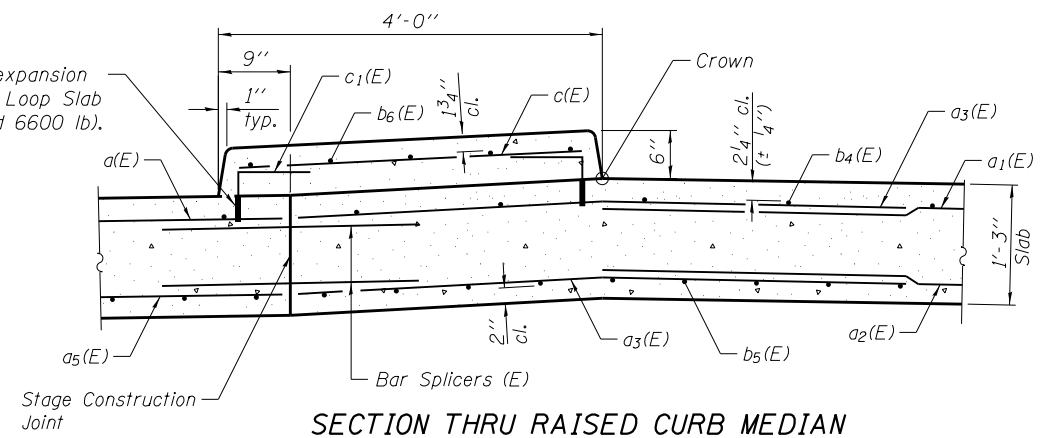
AT APPR. BENT

**CROSS SECTION**  
(Looking North)

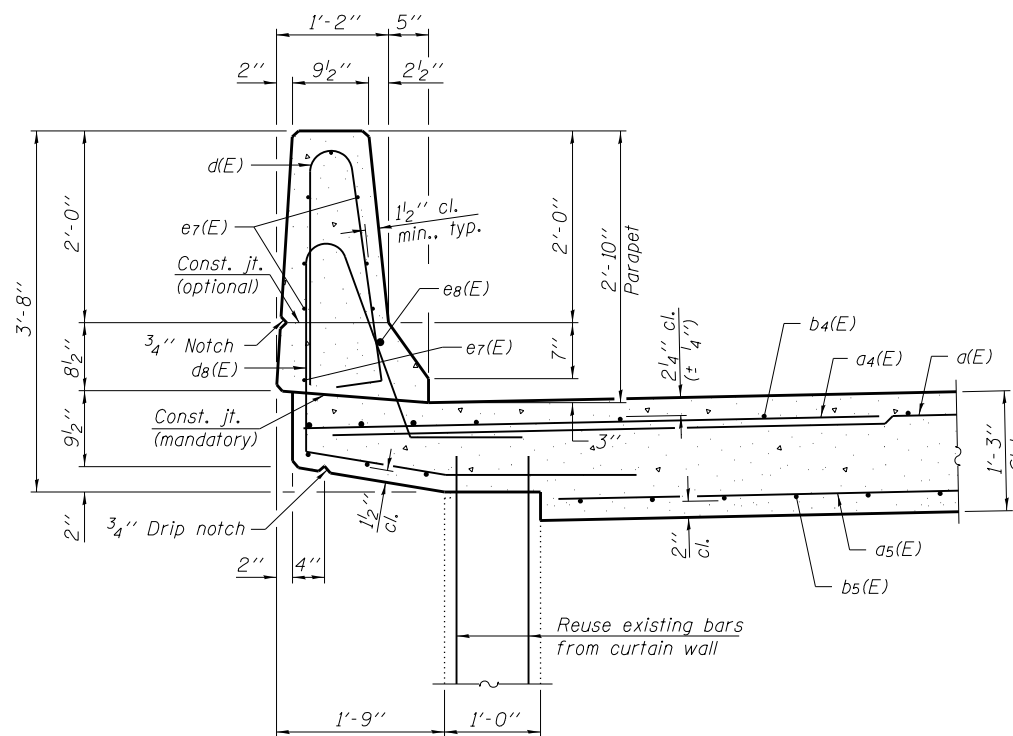
NEAR ABUTMENT

- \* Drill and set #5 d<sub>2</sub>(E) bar according to Article 509.06 of the Standard Specifications. Drilled holes shall be roughened or scored per manufacturer's recommendations. Maximum depth of hole shall not exceed 6".
- \*\* Cost included with Reinforcement Bars, Epoxy Coated.

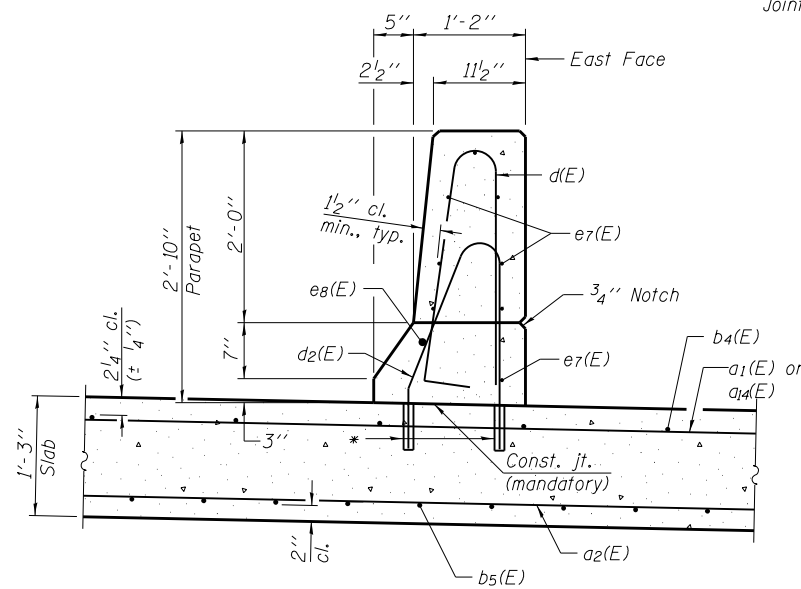
\*\* 3/4" φ Galvanized expansion anchor or Ferrule Loop Slab Insert (Proof Load 6600 lb).



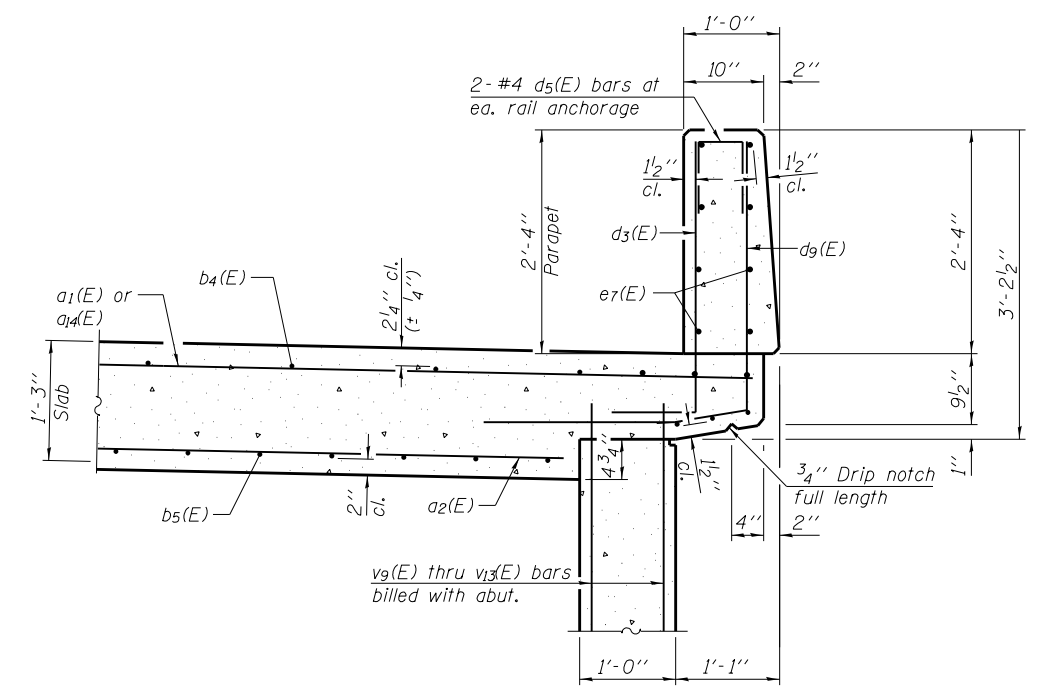
**SECTION THRU RAISED CURB MEDIAN**



**SECTION THRU WEST PARAPET**



**SECTION THRU INTERIOR PARAPET**



**SECTION THRU EAST PARAPET**

(Sheet 2 of 2)