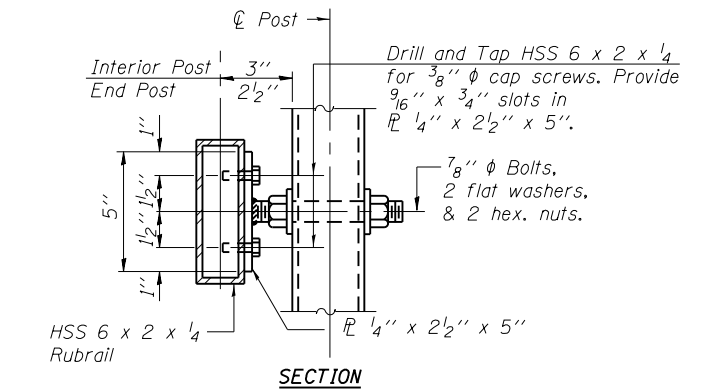


ANCHOR BOLT DETAILS

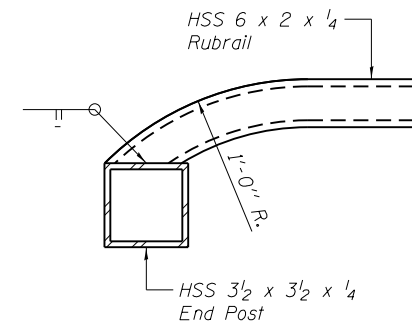
In lieu of the cast-in-place anchor device shown, the Contractor has the option of drilling and setting 5/8" ϕ anchor rods according to Article 509.06 of the Standard Specifications. Embedment shall be according to the manufacturer's specifications.



SECTION

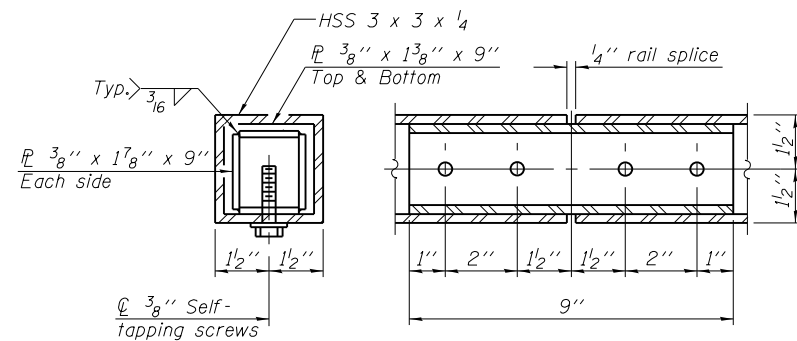
TOP VIEW

RUBRAIL DETAIL

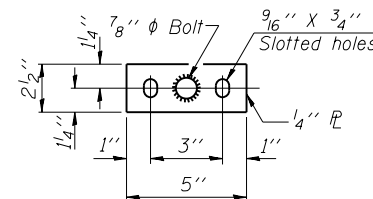


TOP VIEW

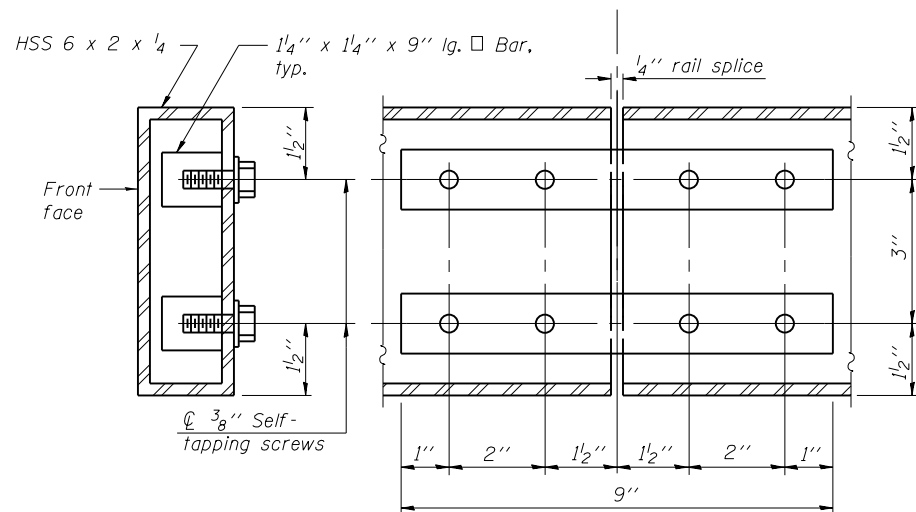
RUBRAIL TERMINATION



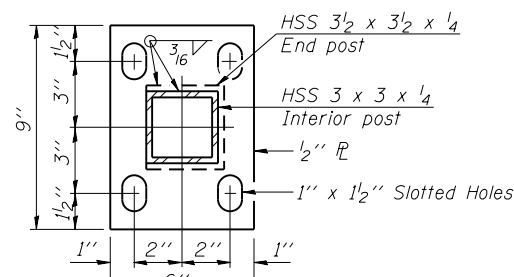
RAIL SPLICE



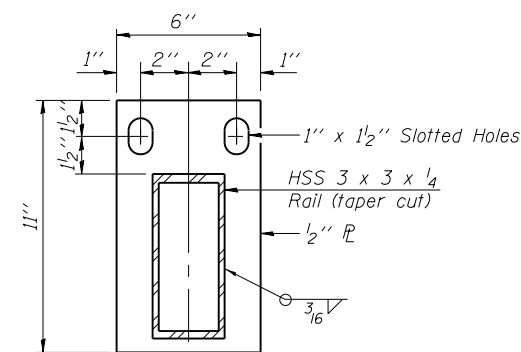
ANCHOR PLATE (Rubrail)



RUBRAIL SPLICE



BASE PLATE (Post)



BASE PLATE (Rail Terminal)

(Sheet 2 of 2)