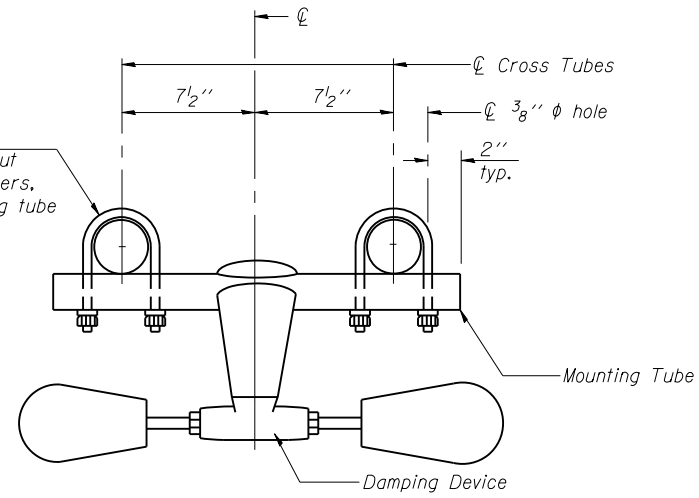
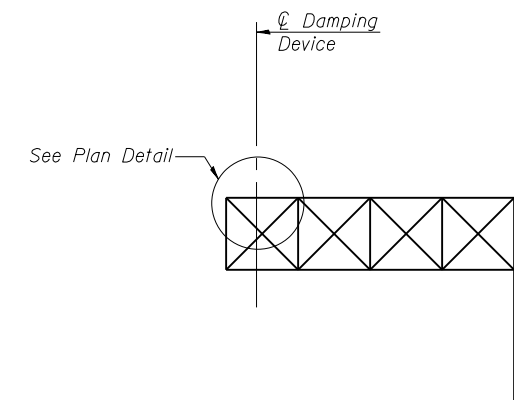


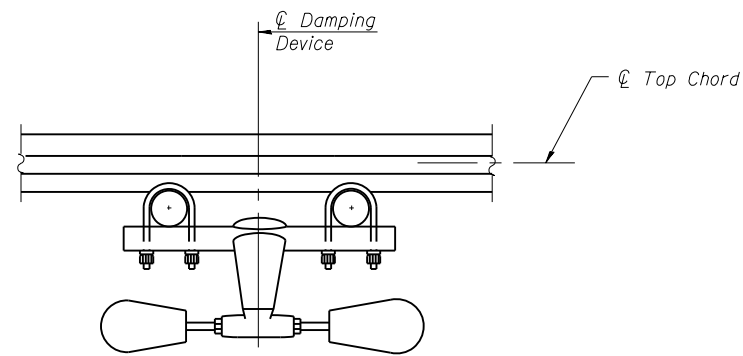
PLAN DETAIL



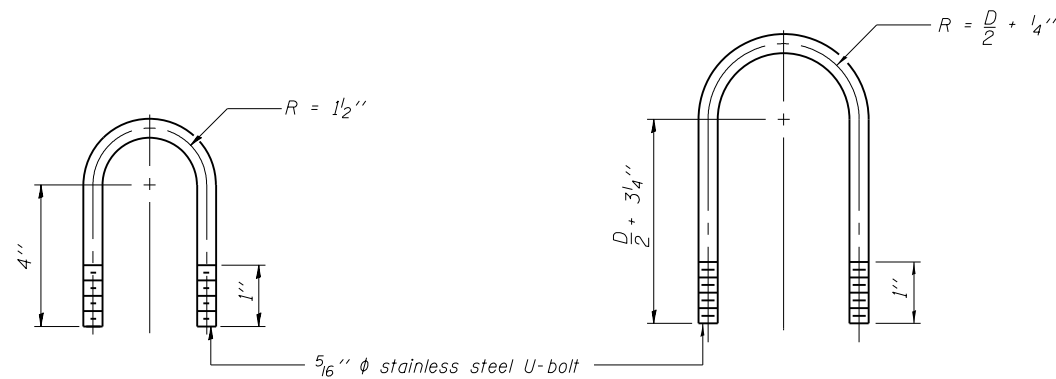
TRUSS DAMPING DEVICE CONNECTION DETAIL



ELEVATION
Aluminum Cantilever Sign Structure



SECTION A-A



DAMPING DEVICE MOUNTING TUBE U-BOLT DETAIL
(Typical)

TOP CHORD TO CROSS TUBE U-BOLT DETAIL
(Typical)

GENERAL NOTES

- Damper: One damper per truss. (31 lbs. Stockbridge-Type Aluminum-29" minimum between ends of weights)
- Materials: Aluminum tubes shall be ASTM B221 alloy 6061 temper T6

OSC-A-D

6-1-12



FILE NAME = 0468683-OSC-A-D.dgn	USER NAME = RALEE	DESIGNED - RAL	REVISED
		CHECKED - JAF	REVISED
		DRAWN - RAL	REVISED
		CHECKED - JAF	REVISED
PLOT SCALE =			
PLOT DATE = 01/24/2014			

DESIGNED - RAL	REVISED
CHECKED - JAF	REVISED
DRAWN - RAL	REVISED
CHECKED - JAF	REVISED

STATE OF ILLINOIS
DEPARTMENT OF TRANSPORTATION

CANTILEVER SIGN STRUCTURE
DAMPING DEVICE

SHEET NO. 3 OF 9 SHEETS

F.A. RTÉ.	SECTION	COUNTY	TOTAL SHEETS	SHEET NO.
6584	105: (72-7HB)BY	PEORIA	487	334
6585				CONTRACT NO. 68683

ILLINOIS FED. AID PROJECT