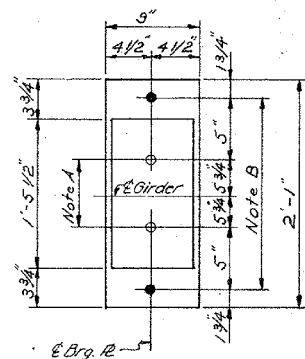
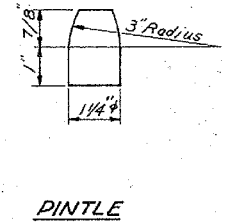
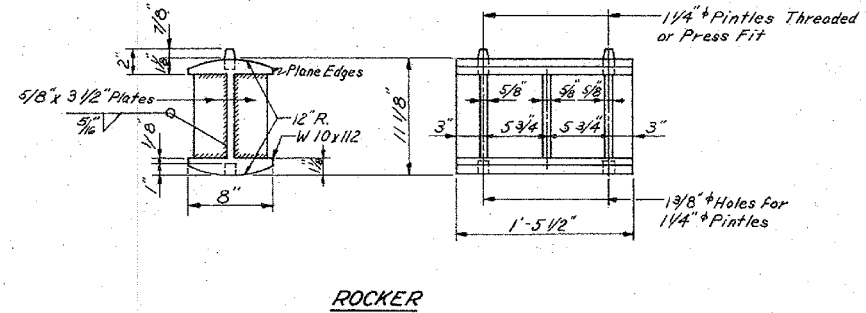
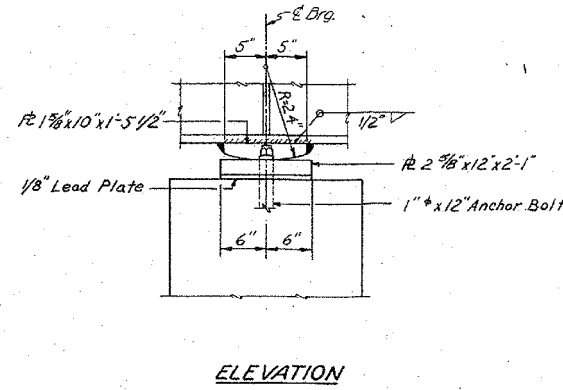
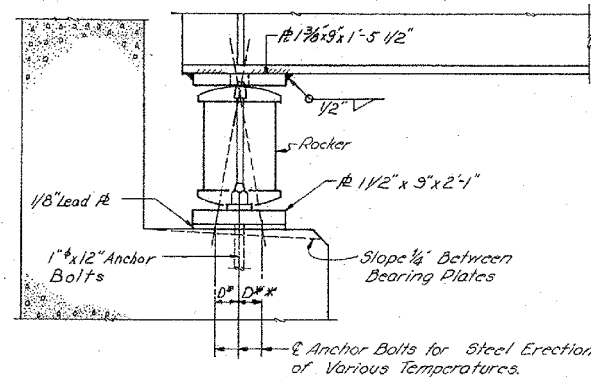
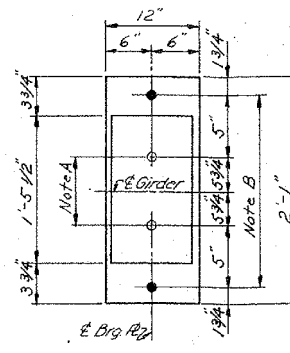


ROUTE NO.	SECTION	COUNTY	TOTAL SHEETS	SHEET NO.
FA.405	72-74B	PEORIA	180	46
FED.ROAD DIST.NO.4		ILLINOIS	FED.AID PROJ.	



NOTE A
 1 3/8" Holes - 1" Deep in Top R for Pintles. Thread or Press Fit Pintles into Bottom R

NOTE B
 1 1/2" Holes for 1" Anchor Bolts 5/16" 2 1/2" x 2 1/2" R Washers Under Nut



*** TOP OF WEB ELEVATIONS**

Girder No.	N. Abut.	Splice 1	Pier	Splice 2	S. Abut.
1	819.80	819.77	819.63	819.58	819.05
2	819.92	819.89	819.75	819.69	819.17
3	820.04	820.00	819.87	819.81	819.29
4	820.15	820.12	819.98	819.92	819.40
5	820.27	820.23	820.10	820.04	819.52
6	820.15	820.12	819.98	819.92	819.40
7	820.04	820.00	819.87	819.81	819.29
8	819.92	819.89	819.75	819.69	819.17
9	819.80	819.77	819.63	819.58	819.05

* For Fabrication Only

INTERIOR GIRDER REACTION TABLE

Reactions	N. Abutment	Pier	S. Abutment
R ₀ (K)	50.1	185.9	49.3
R ₁ (K)	48.3	75.4	47.7
Impact (K)	10.3	16.1	10.2
R(Total) (K)	108.7	277.4	107.2

STRESS TABLE

(Composite at Positive Moment Regions only)

INTERIOR GIRDER MOMENT TABLE

Properties	A10.4 Span 2	At Pier	A10.4 Span 3
I _s (in ⁴)	20679	52859	20679
I _c (in ⁴)	34569	—	34569
S _s (in ³)	1029	2004	1029
S _c (in ³)	1406	—	1406
I _B (K/')	0.930	1.114	0.930
M _B (K)	660	1750	636
F _s (Ksi)	7.70	10.48	7.42
S _B (K/')	0.352	0.352	0.352
M ₃ (K)	305.3	502.6	296.1
M ₄ (K)	937	855.5	916
M(Imp) (K)	200	182.7	196
Total (K)	1442.3	1540.8	1408.1
f _s (Ksi)	12.30	9.23	12.02
f _s (Total) (Ksi)	20.00	19.71	19.44
VR (K)	57.9	—	58.1

I_s & S_s are the Moment of Inertia and Section Modulus of the Steel Section.
 I_c & S_c are the moment of Inertia and Section Modulus of the composite Section used in computing f_s.
 VR is the maximum $\frac{1}{4}$ Impact shear range in span

*** SEAT ELEVATIONS**

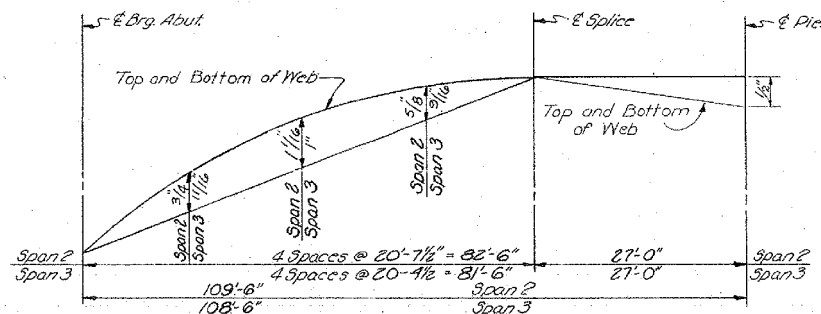
Girder No.	N. Abut.	Pier	S. Abut.
1	814.52	815.07	813.77
2	814.64	815.19	813.89
3	814.75	815.30	814.00
4	814.87	815.42	814.12
5	814.99	815.53	814.24
6	814.87	815.42	814.12
7	814.75	815.30	814.00
8	814.64	815.19	813.89
9	814.52	815.07	813.77

* For Girder Bearings

NOTES ON SETTING OF ANCHOR BOLTS AT EXP. BRG.

- D* (Side of brg. away from fixed brg.)
 D* = 1/8" per each 100' of expansion for every 15° fall below the normal temp. of 50° F.
 D** (Side of brg. toward fixed brg.)
 D** = 1/8" per each 100' of expansion for every 15° rise above the normal temp. of 50° F.
- After beams have been erected and dimensions D* & D** determined, holes shall be drilled and anchor bolts shall be grouted in place. All fixed anchor bolts may be built into the masonry.

BEARING ASSEMBLY DETAILS



Designed	D.E.B.
Checked	L.R.W.
Drawn	R.P.W., J.L.K., M.C.K., E.J.G.
Checked	D.E.B.

STATE OF ILLINOIS
 DEPARTMENT OF TRANSPORTATION
STRUCTURAL STEEL DETAILS
 PROJECT: FA.405
 ILL. HWY. 174 OVER FA. ROUTE 405
 FA.405 SECTION 72-74B
 PEORIA COUNTY
 STA. 929+03.18

FILE NAME =	USER NAME = wlewis	DESIGNED -	REVISED -
S:\237\2013\23713009.00\11enRdPill\CADD	CADD Sheets\0468683-sht-Exist Plans09-SN07	DRAWN -	REVISED -
Default	PLOT SCALE = 2.0000' / in.	CHECKED -	REVISED -
	PLOT DATE = 1/24/2014 3:20:32 PM	DATE -	REVISED -

F.A.U. RTE.	SECTION	COUNTY	TOTAL SHEETS	SHEET NO.
6584	105; (72-74B)BY	PEORIA	487	349
6585			CONTRACT NO. 68683	
ILLINOIS FED. AID PROJECT				