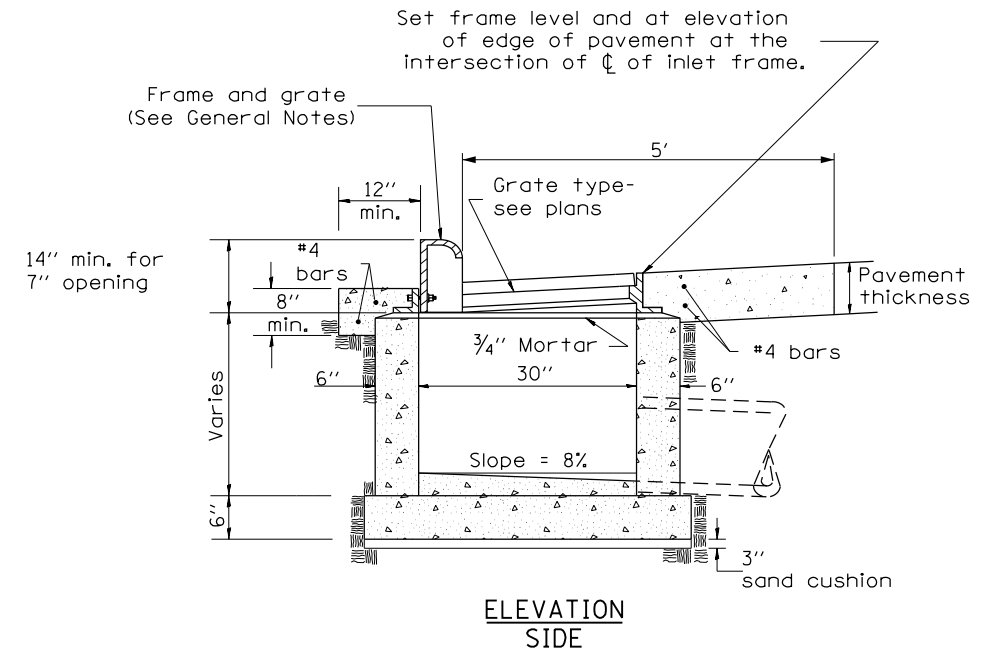
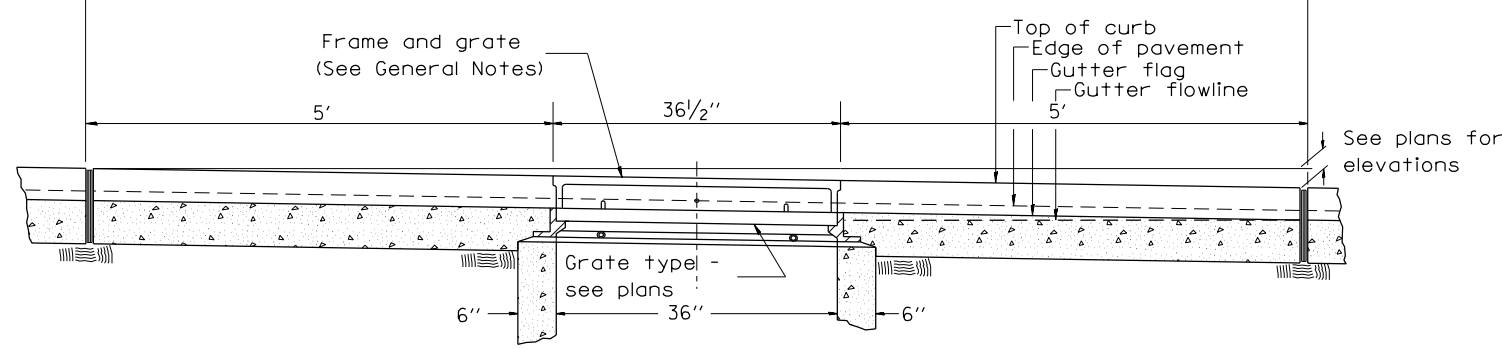


PLAN



ELEVATION SIDE



ELEVATION FRONT

GENERAL NOTES

1. Inlet construction shall be in accordance with Section 602 of the Standard Specifications.
2. Combination Concrete Curb & Gutter shall be constructed in accordance with Section 606 of the Standard Specifications.
3. See District CADD Standard 604001-D4 for frame and grates.

MAURER-STUTZ
ENGINEERS SURVEYORS

FILE NAME = S:\237\2013\23713009\00\11enRdPh11\CADD	USER NAME = jdspller	DESIGNED -	REVISED -
CADD Sheets\0468683-sht-details-inlets special	DRAWN -	CHECKED -	REVISED -
PLOT SCALE = 100.0000' / in.	DATE -	DATE -	REVISED -
Default	PLOT DATE = 1/31/2014 10:15:14 AM		

STATE OF ILLINOIS
DEPARTMENT OF TRANSPORTATION

ALLEN ROAD IMPROVEMENTS
INLETS, SPECIAL DETAIL

SCALE: SHEET OF SHEETS STA. TO STA.

F.A.U. RTE.	SECTION	COUNTY	TOTAL SHEETS	SHEET NO.
6584	105: (72-7HB)BY	PEORIA	487	378
6585			CONTRACT NO. 68683	
ILLINOIS FED. AID PROJECT				