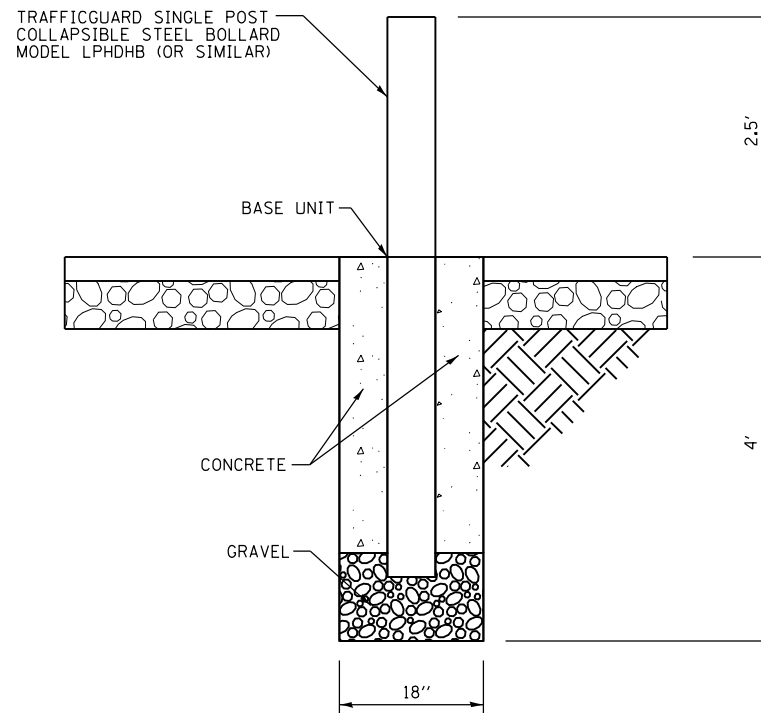
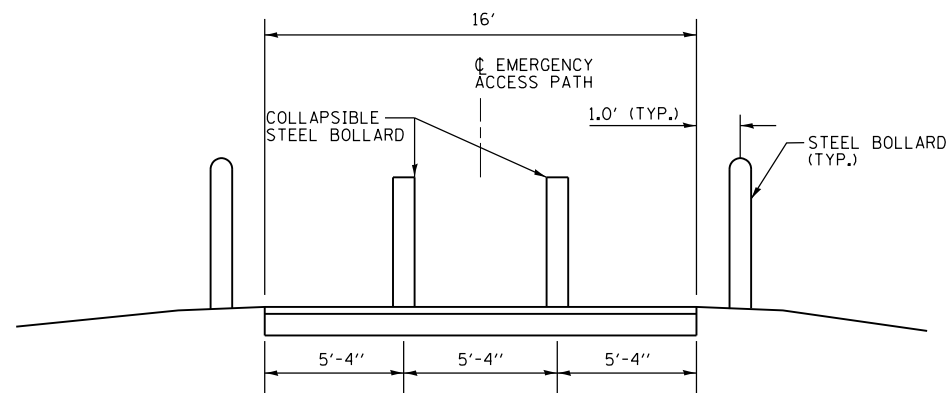


1 **STEEL BOLLARD DETAIL**
NOT TO SCALE

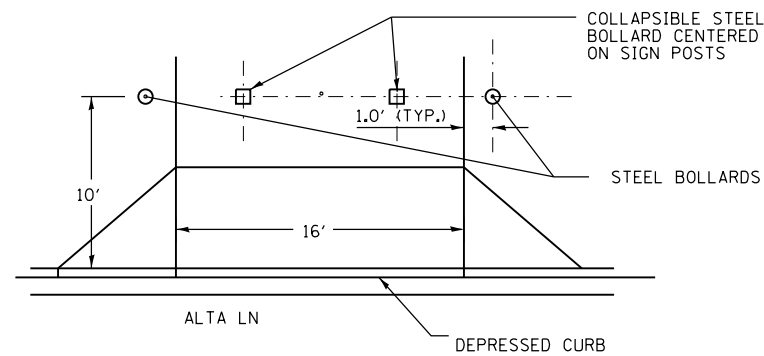


NOTE:
COLLAPSIBLE BOLLARD MUST BE INSTALLED SO
ENTIRE LENGTH RESTS ON PAVEMENT WHEN
COLLAPSED. SEE MANUFACTURER'S INSTRUCTIONS
FOR INSTALLATION OF COLLAPSIBLE STEEL BOLLARD.

2 **COLLAPSIBLE STEEL BOLLARD DETAIL**
NOT TO SCALE



3 **BOLLARD / LAYOUT
(ELEVATION VIEW AT EMERGENCY ACCESS RD)**
NOT TO SCALE



4 **BOLLARD LAYOUT
(PLAN VIEW AT EMERGENCY ACCESS RD)**
NOT TO SCALE

FILE NAME =	USER NAME = baswanson	DESIGNED -	REVISED -
S:\237\2013\23713009.00\11enRdPh11\CADD	CADD Sheets\0468683-sht-details-veh cont boll	DRAWN -	REVISED -
Default	PLOT SCALE = 40.0000' / in.	CHECKED -	REVISED -
	PLOT DATE = 1/24/2014 5:21:15 PM	DATE -	REVISED -

F.A.U. RTE.	SECTION	COUNTY	TOTAL SHEETS	SHEET NO.
6584	105: (72-7HB)BY	PEORIA	487	379
6585	CONTRACT NO. 68683			

ILLINOIS FED. AID PROJECT